

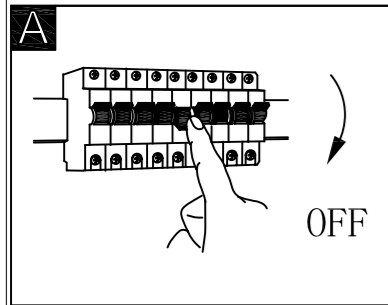
Front side

GLOBO

LIGHTING

41354-30SH

smart
voice
control



- B**
- 3 LIGHT STEPS 3000 K
 - APP
 - 3000 K - 6000 K
 - memory function
 - incl.
 - night light
 - many steps
 - RGB colour change
 - dimmable
 - RGB colour fixing

smart
APP
control

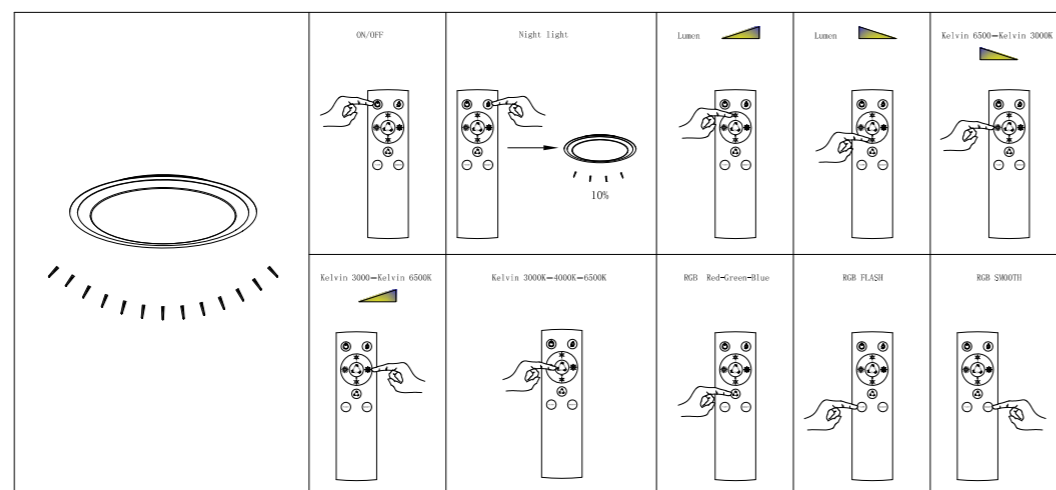
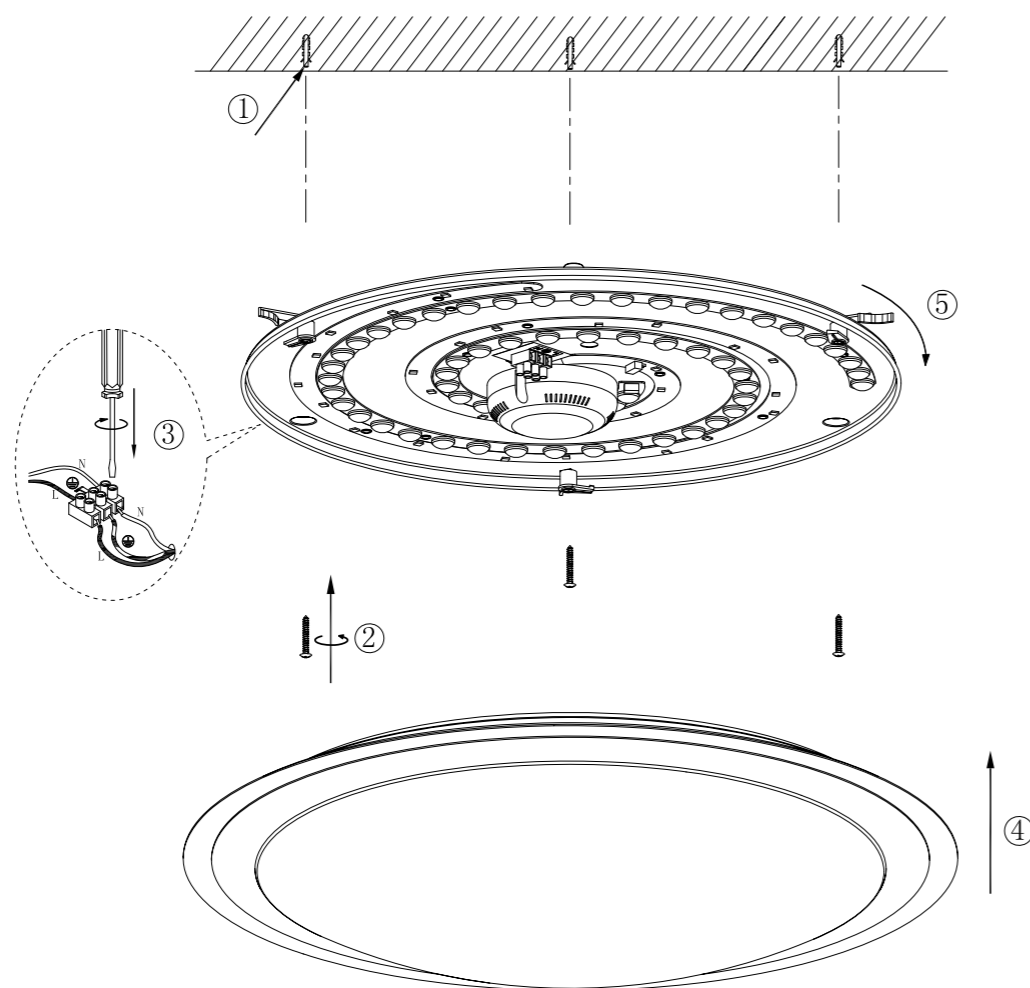
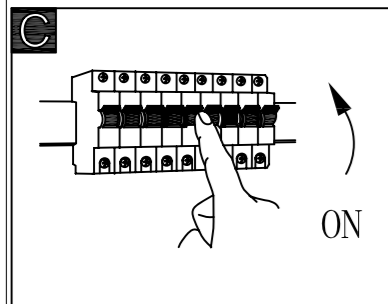
free APP

compatible with
Alexa

Powered By
tuya

compatible with
Google Assistant

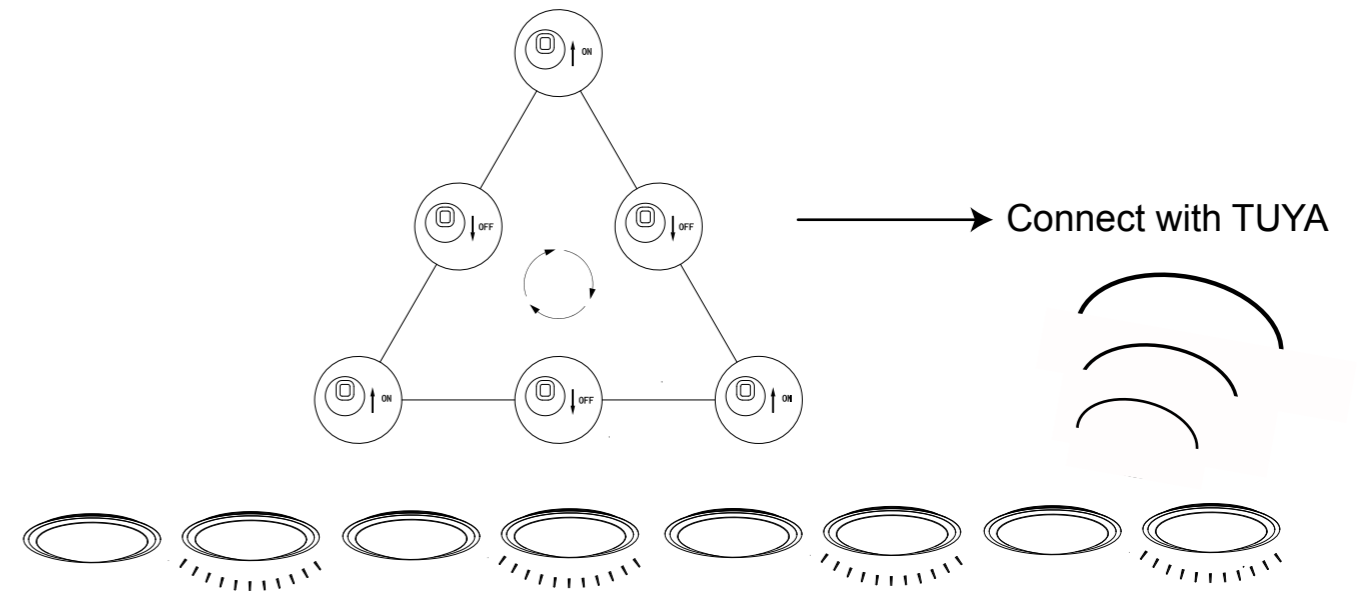
Intelligence
Inside



GLOBO Handels GmbH
Gewerbestr. 3
A-9184 Sankt Peter
www.globo-lighting.com

Back side

Quick on/off 5 times, enter the flash state



Scan QR code to download and install APP.

