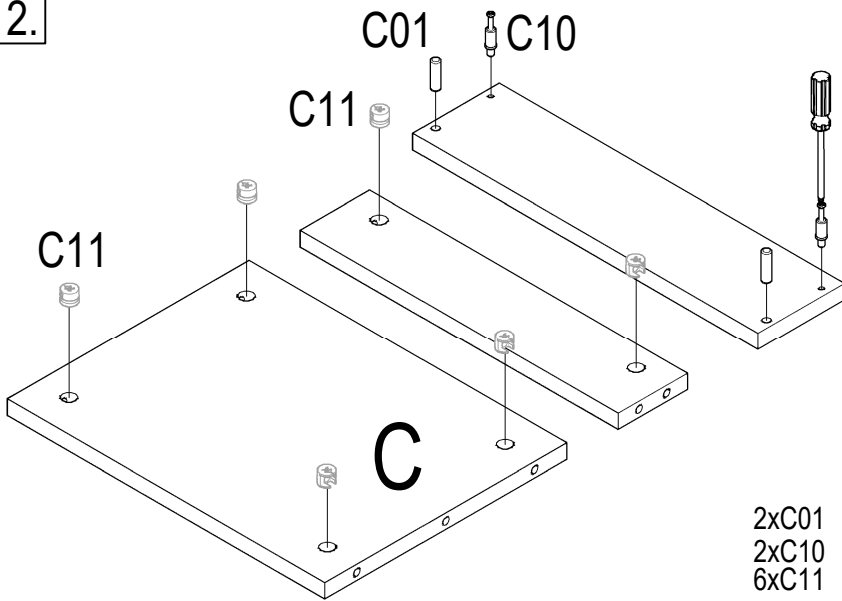
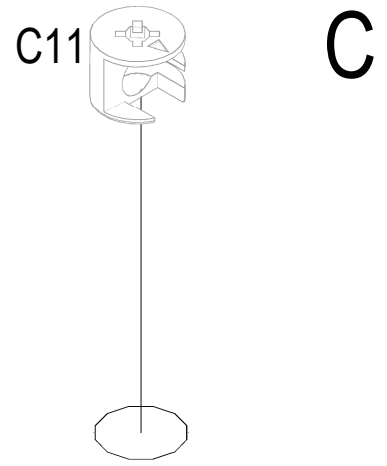


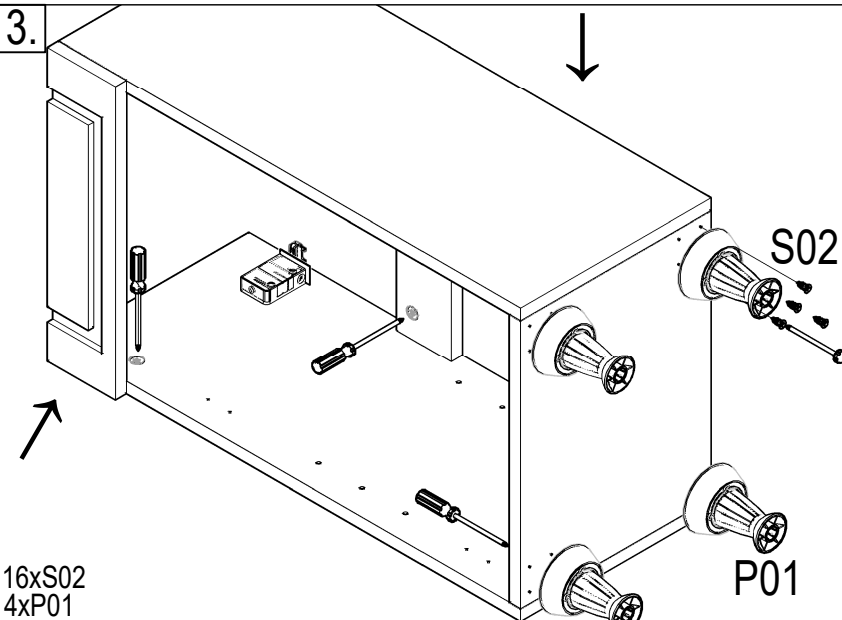
2.



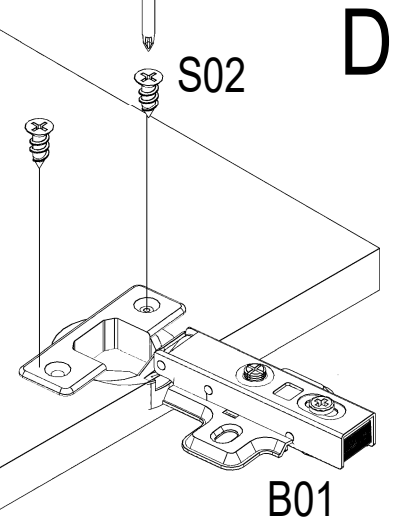
2xC01
2xC10
6xC11



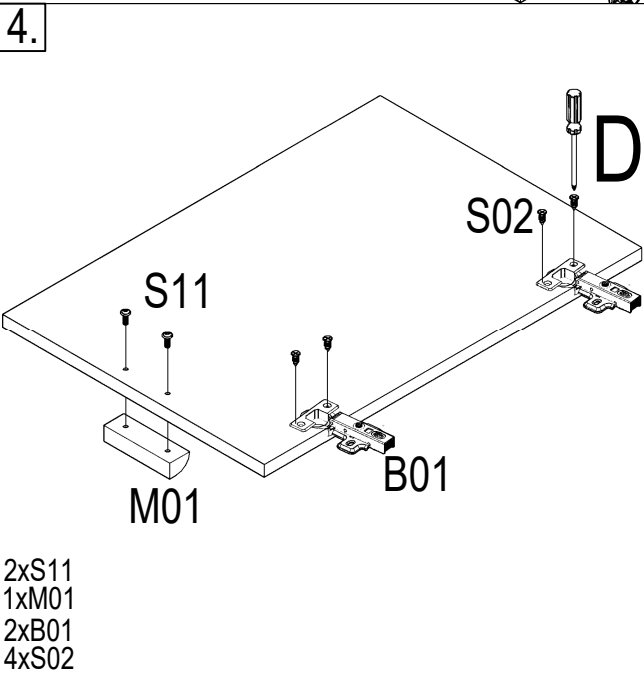
3.



16xS02
4xP01

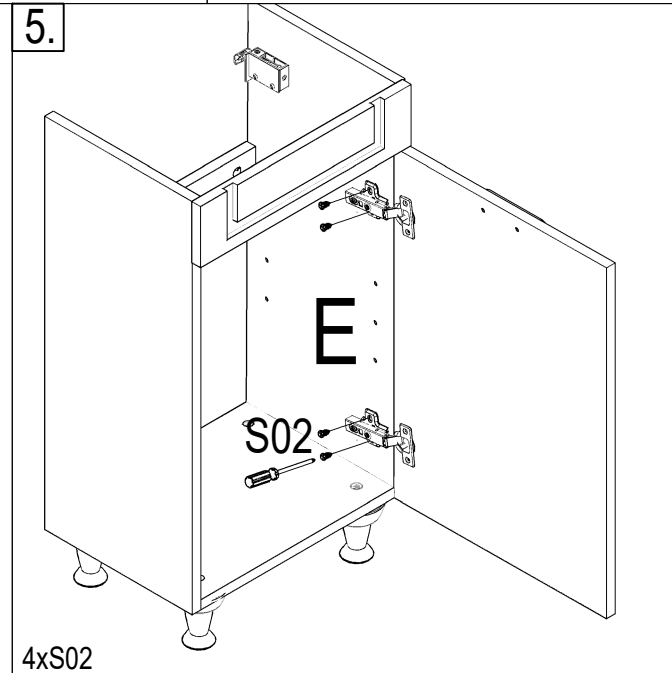


4.

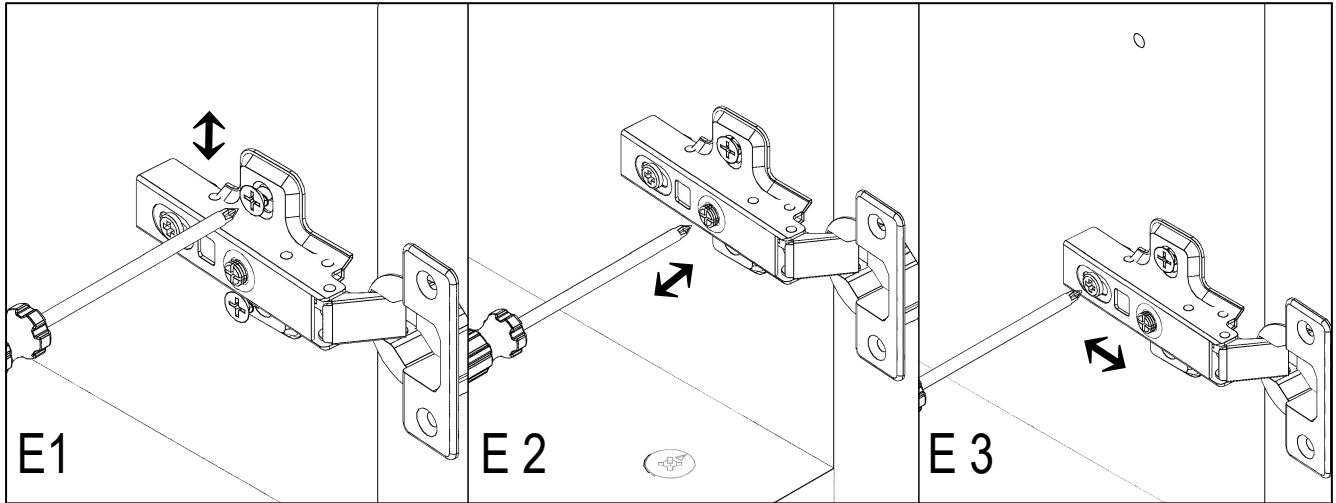


2xS11
1xM01
2xB01
4xS02

5.



4xS02



E1

E2

E3

HEIGHT ADJUSTMENT

SIDE ADJUSTMENT

DEPTH ADJUSTMENT