


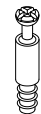

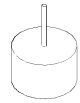
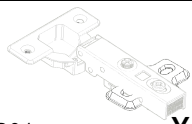
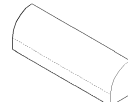
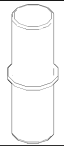
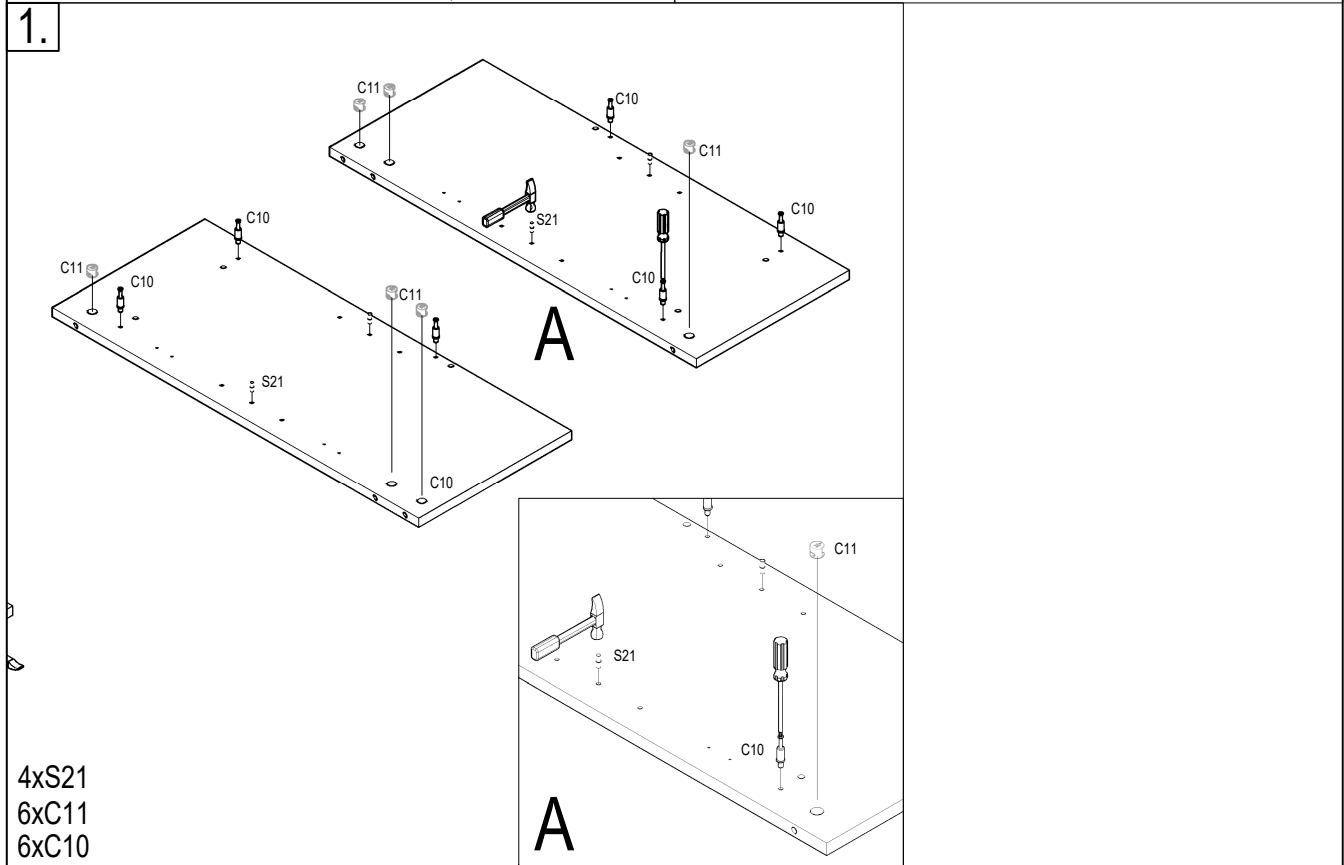
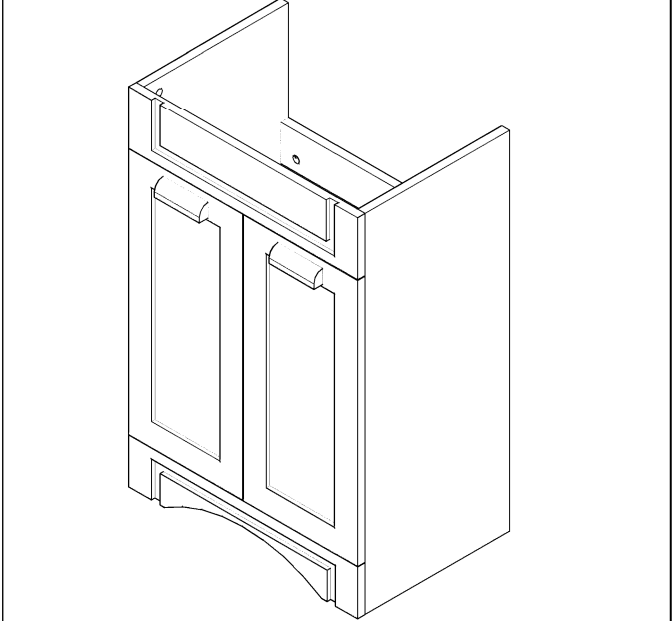
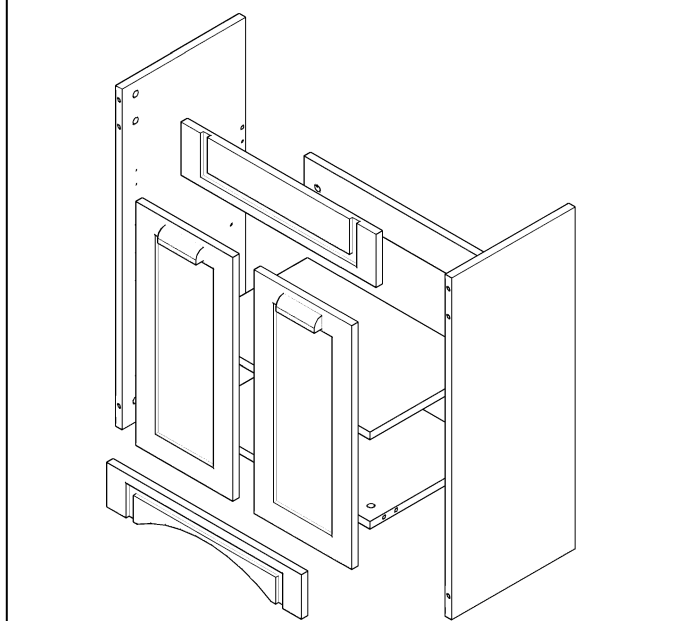
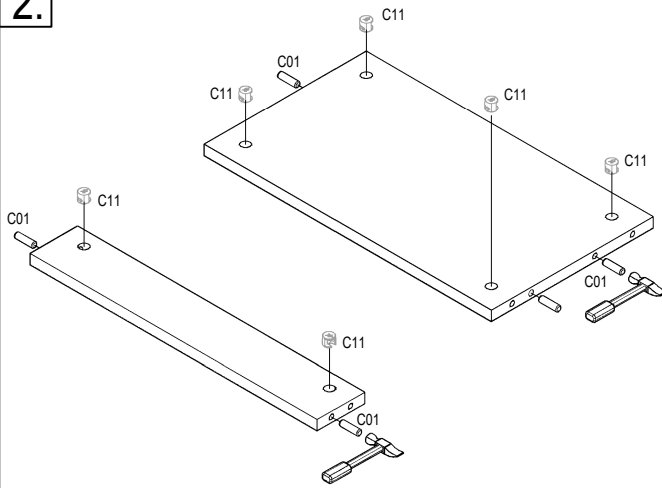


# NR.72

 3.5x16 S02 x16	 M4x22 S11 x4	 C01 x6	 C10 x12	 C11 x12	 P01 x4
 B01 x4	 M01 x2	 S21 x4			

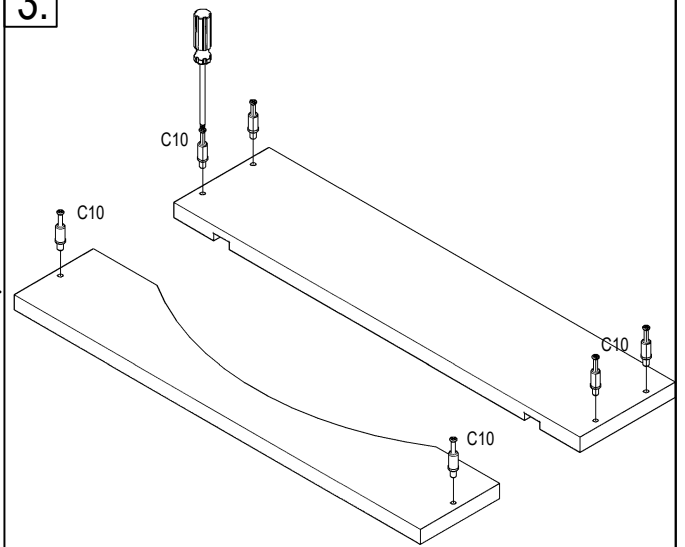


2.



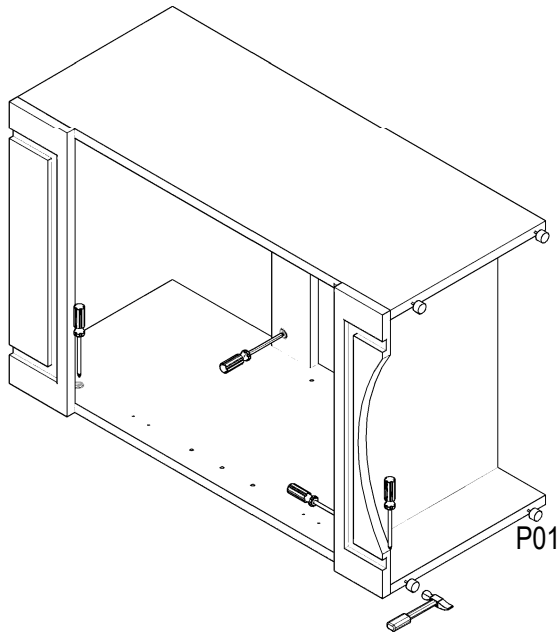
6xC11  
6xC01

3.



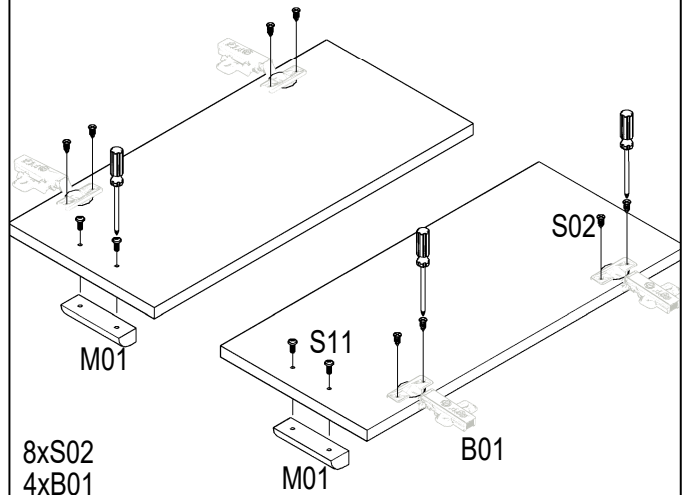
6xC10

4.



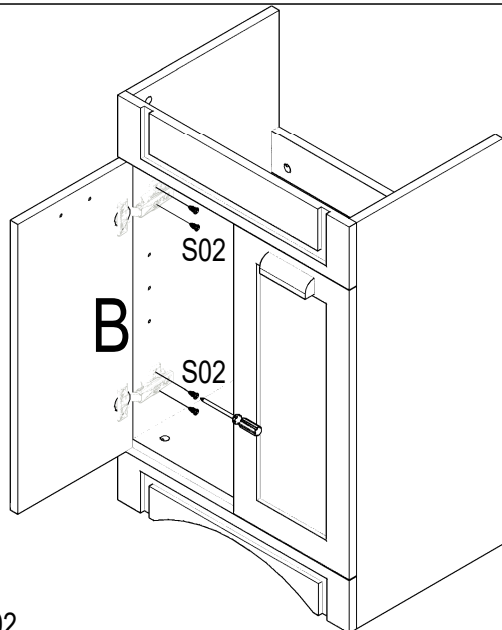
4xP01

5.



8xS02  
4xB01  
4xS11  
2xM01

5.



8xS02

B

