


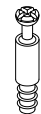

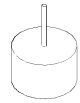
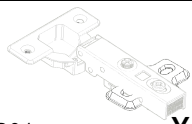
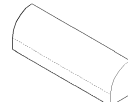
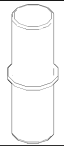
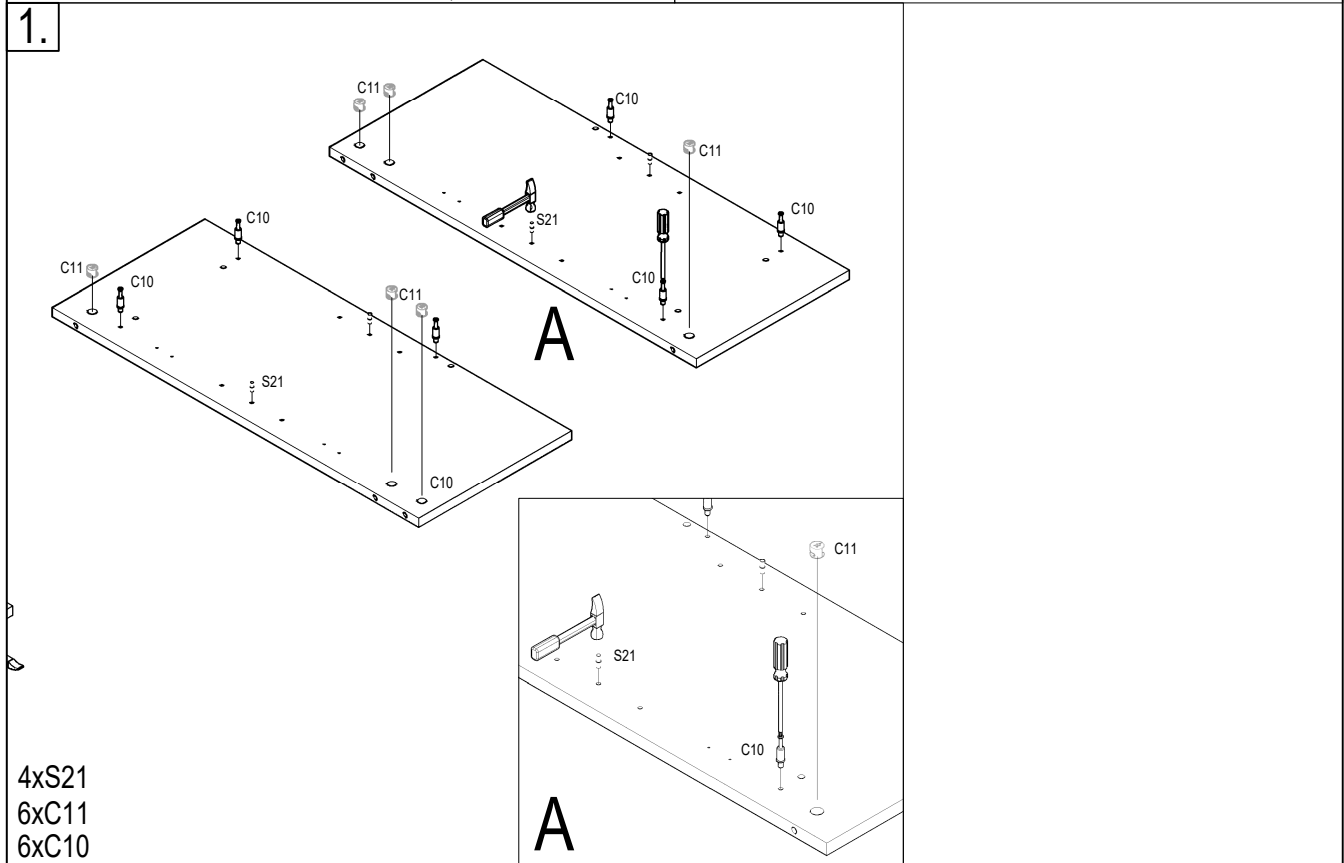
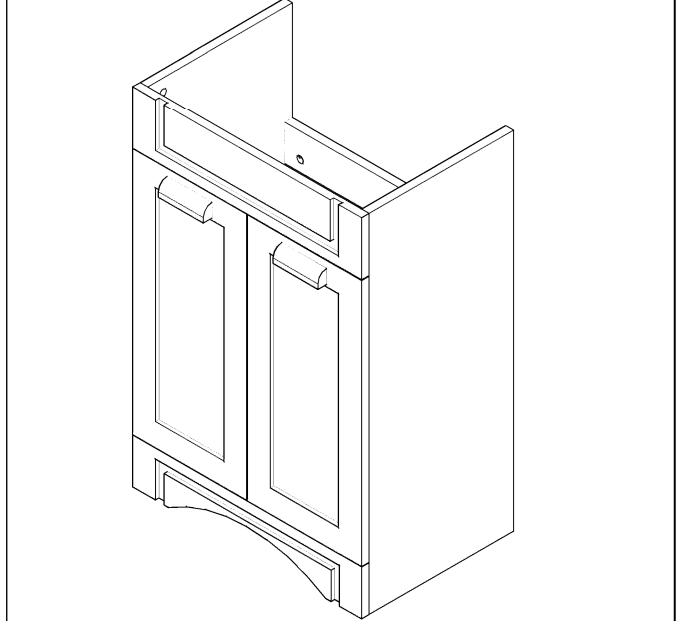
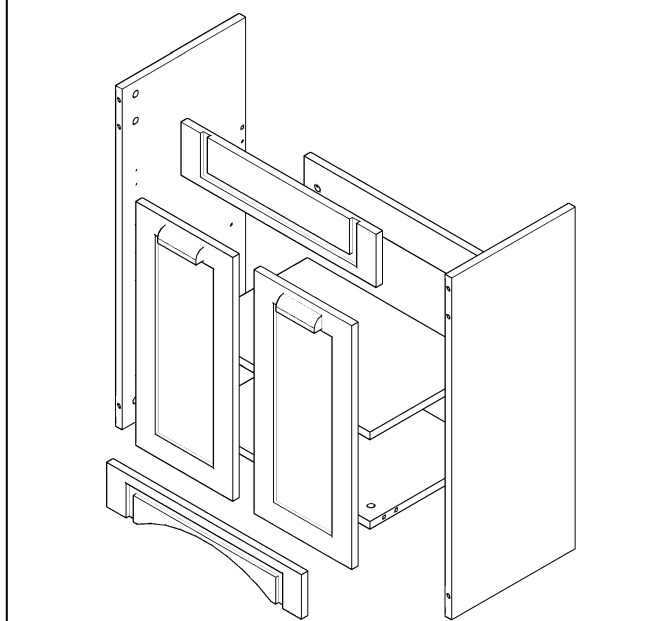
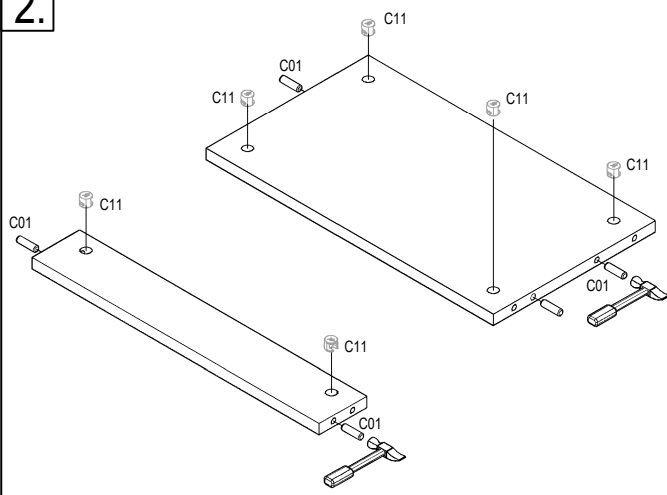


NR.72

 3.5x16 S02 x16	 M4x22 S11 x4	 C01 x6	 C10 x12	 C11 x12	 P01 x4
 B01 x4	 M01 x2	 S21 x4			

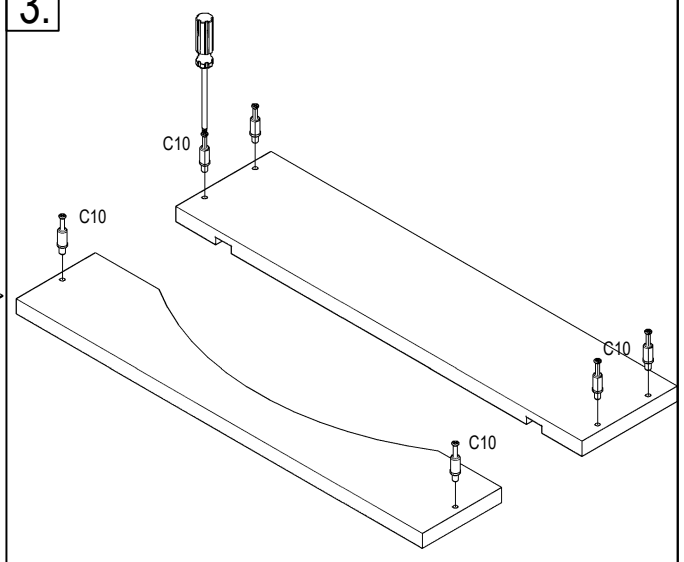


2.



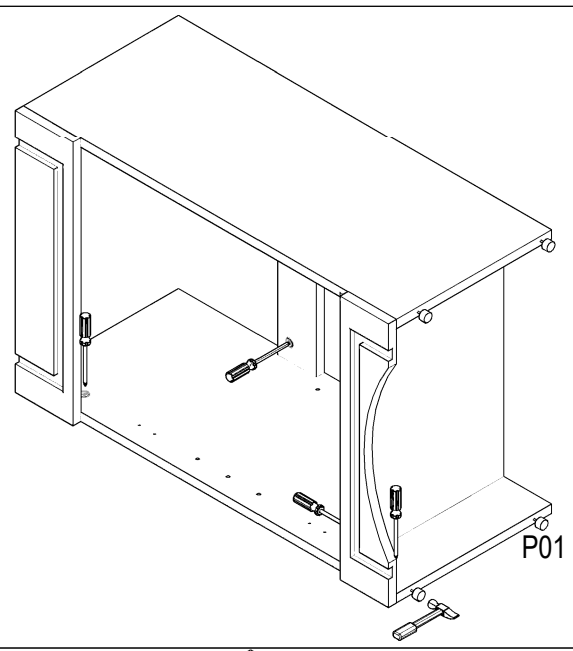
6xC11
6xC01

3.



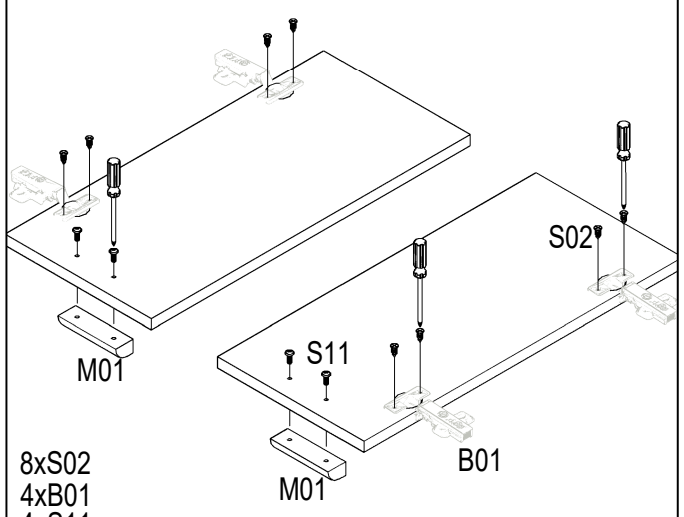
6xC10

4.



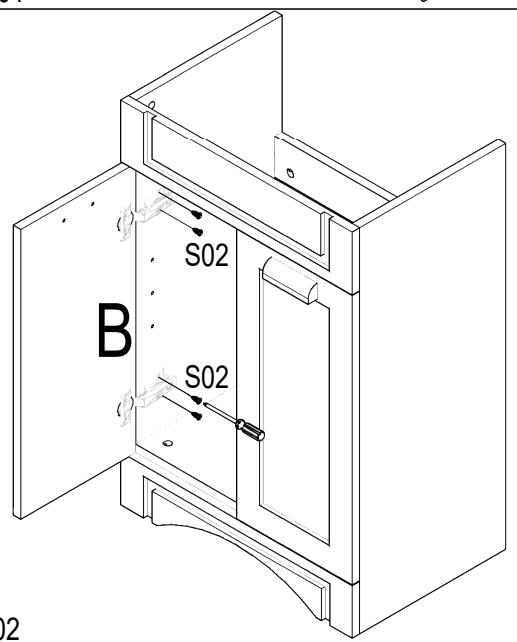
4xP01

5.



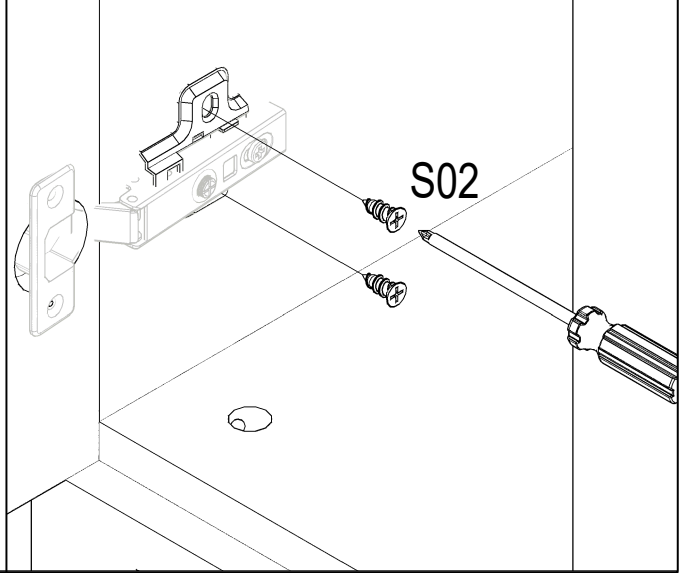
8xS02
4xB01
4xS11
2xM01

5.

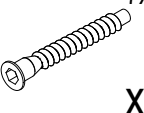



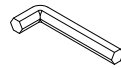
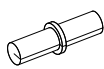
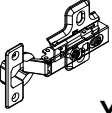
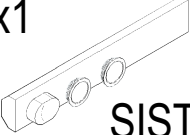
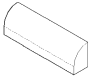



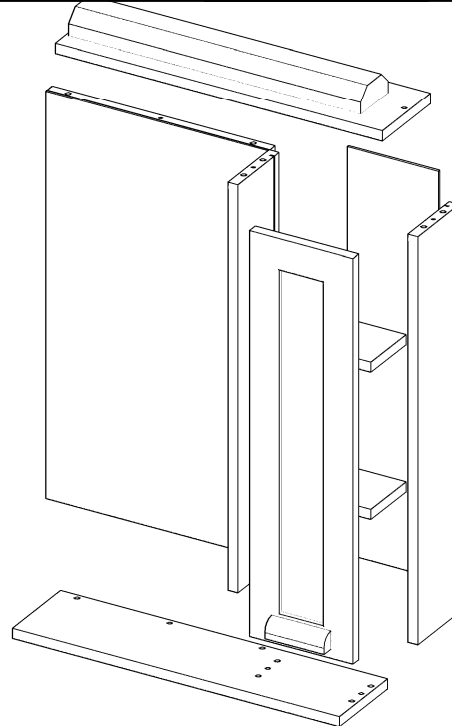
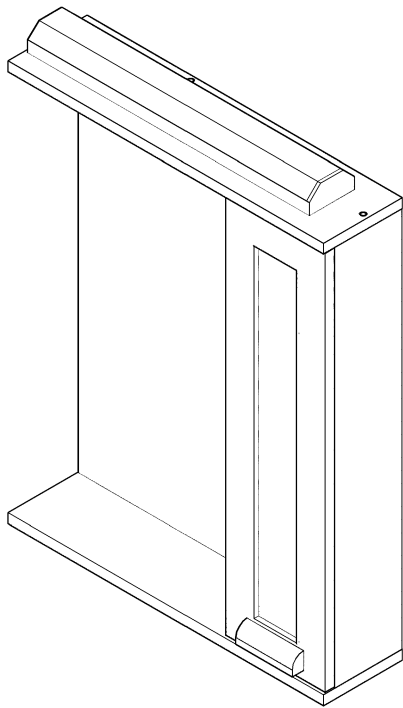
8xS02

B

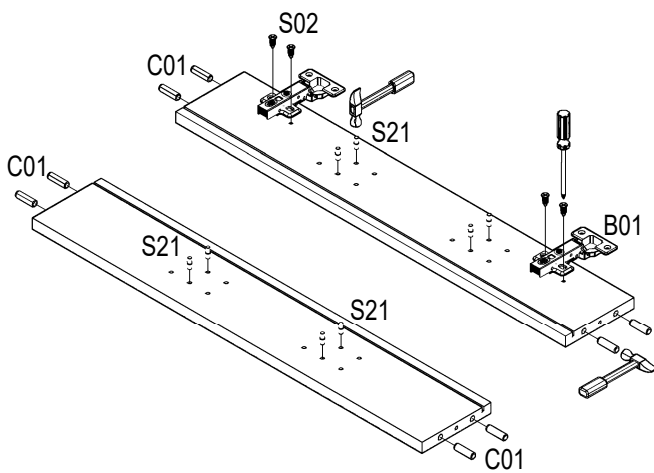


NR.47

 S01 x6	 S02 x14	 A04 x2	 C01 x12	 D01 x1	 S21 x8
 B01 x2	 SIST. M01 x1	 M01 x1	 S11 x2		

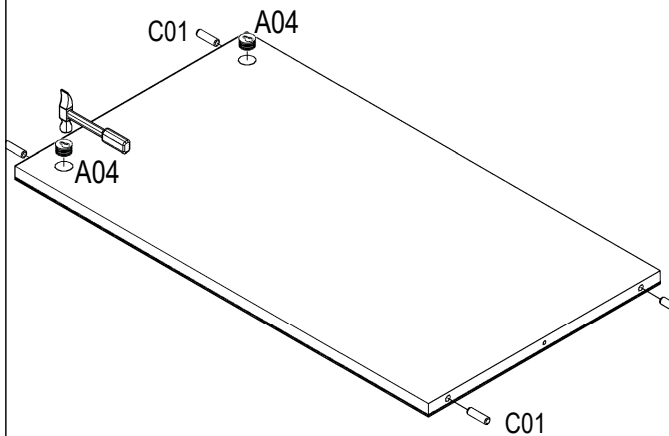


1.



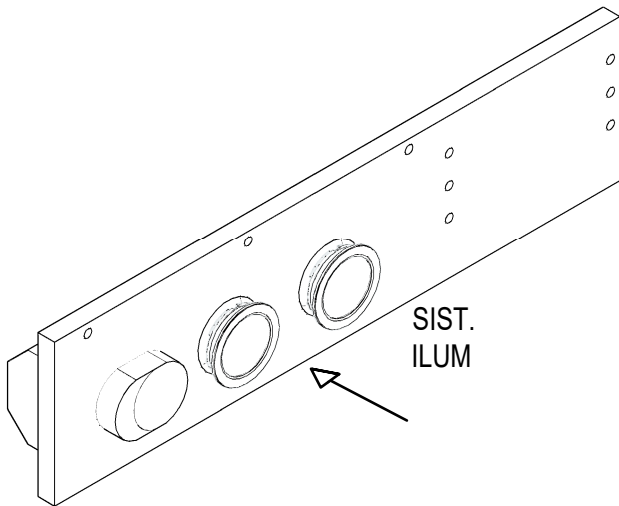
2xB01
4xS02
8xC01
8xS21

2.

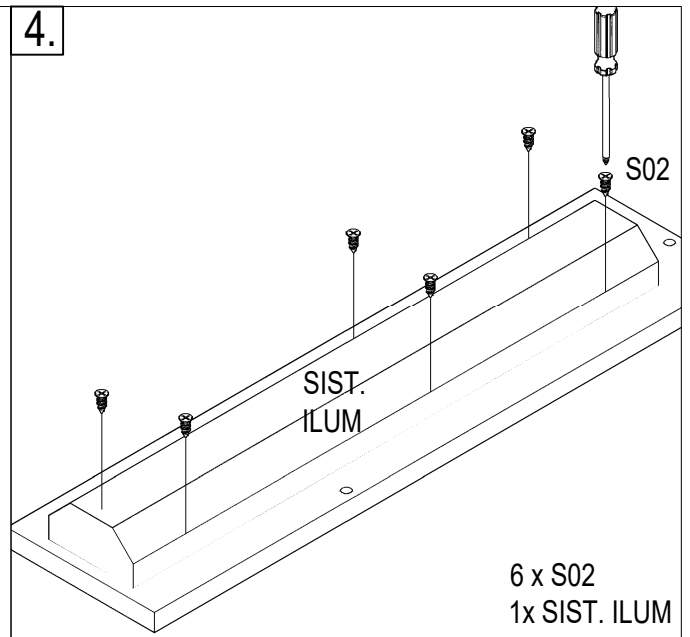


2xA04
4xC01

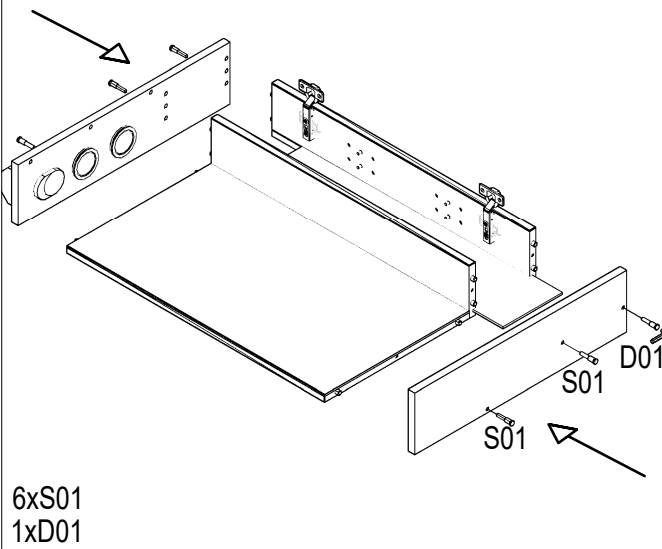
3.



4.



5.



6.

