




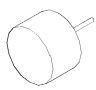
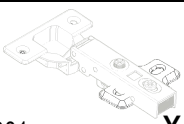
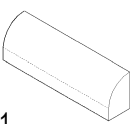
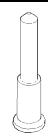
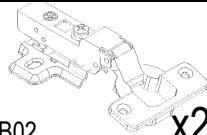
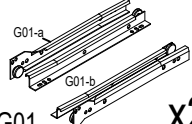
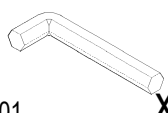
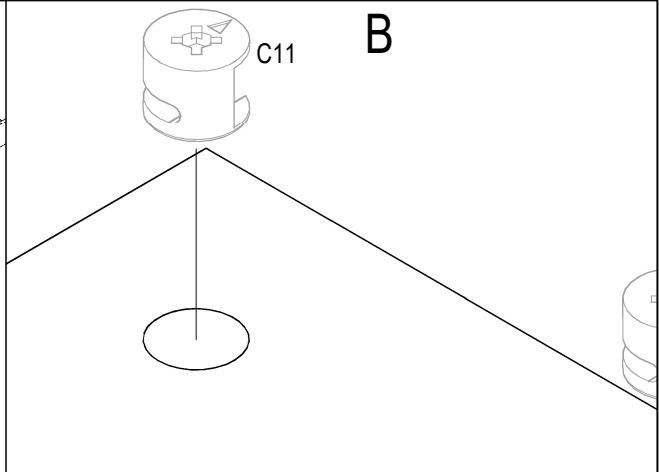
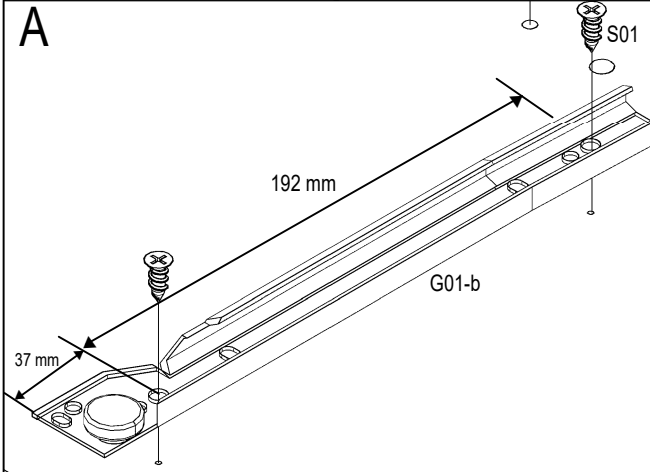
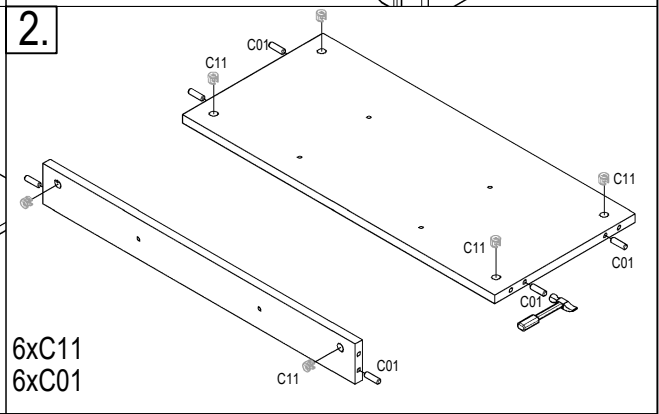
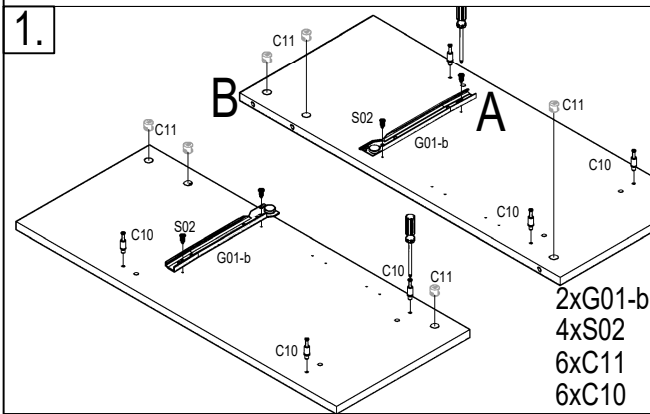
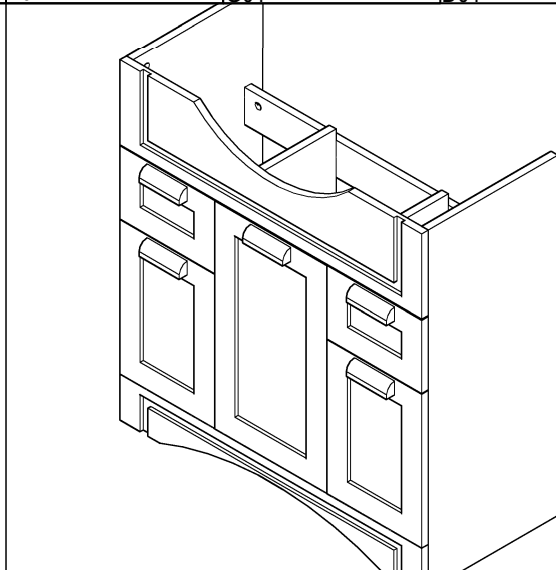
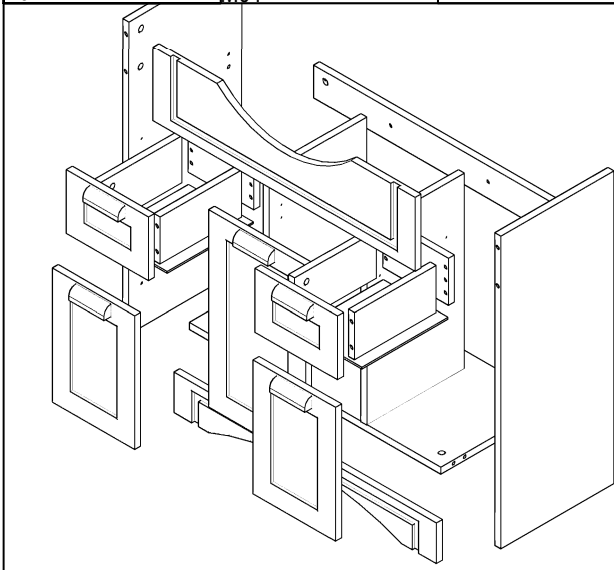
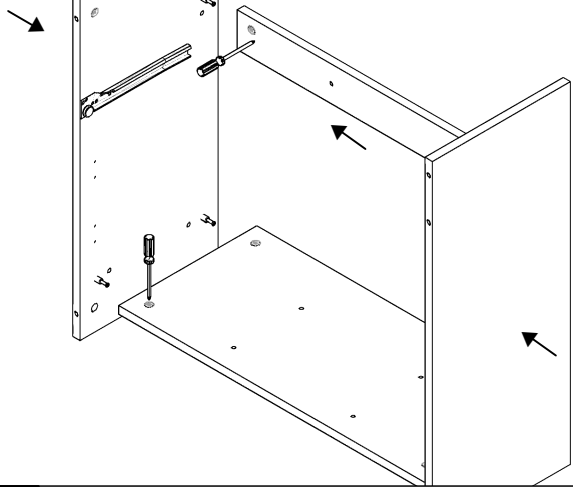


# NR.44

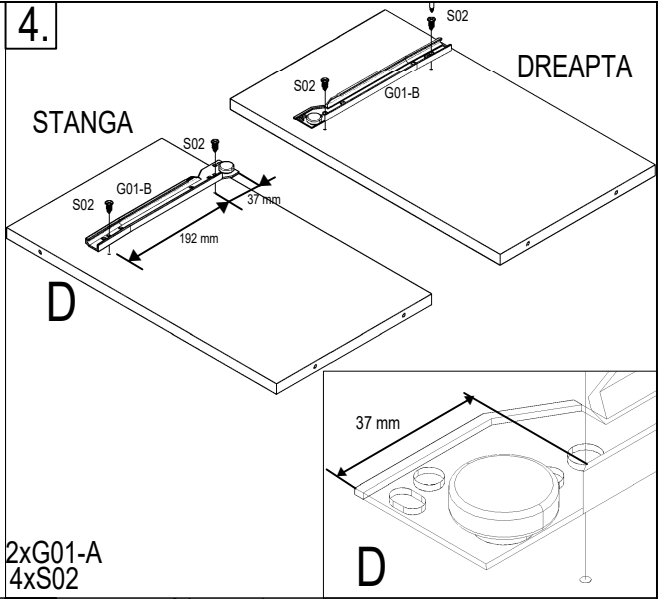
 <b>3.5x16</b> <b>S02 x44</b>	 <b>M4x22</b> <b>S11 x10</b>	 <b>C01 x14</b>	 <b>C10 x20</b>	 <b>C11 x20</b>	 <b>P01 x4</b>
 <b>B01 x4</b>	 <b>M01 x5</b>	 <b>S01 x10</b>	 <b>B02 x2</b>	 <b>G01 x2</b>	 <b>D01 x1</b>



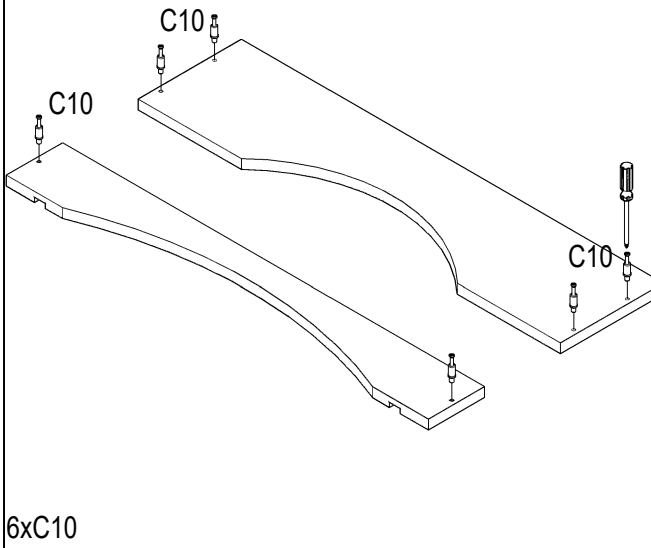
3.



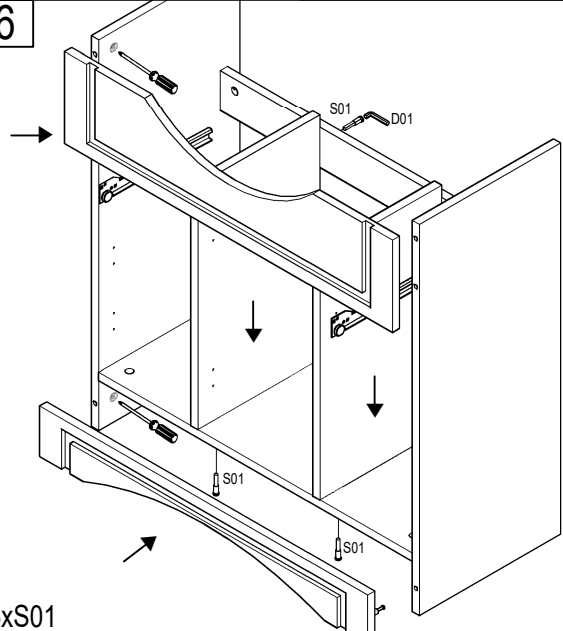
4.



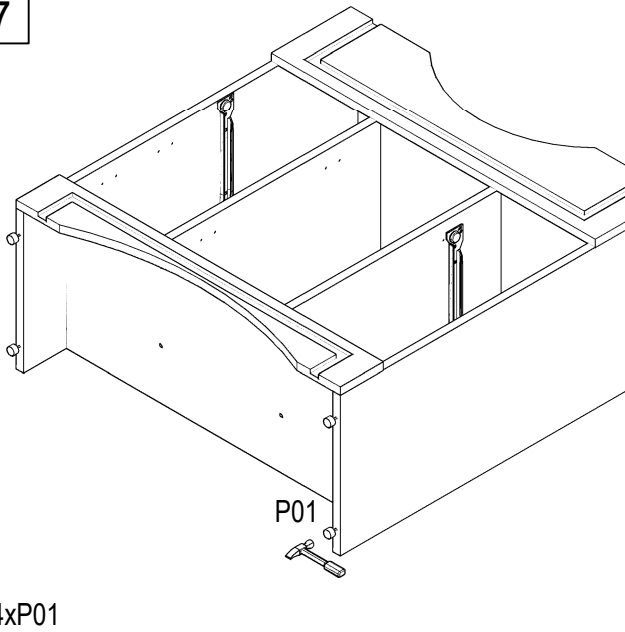
5.



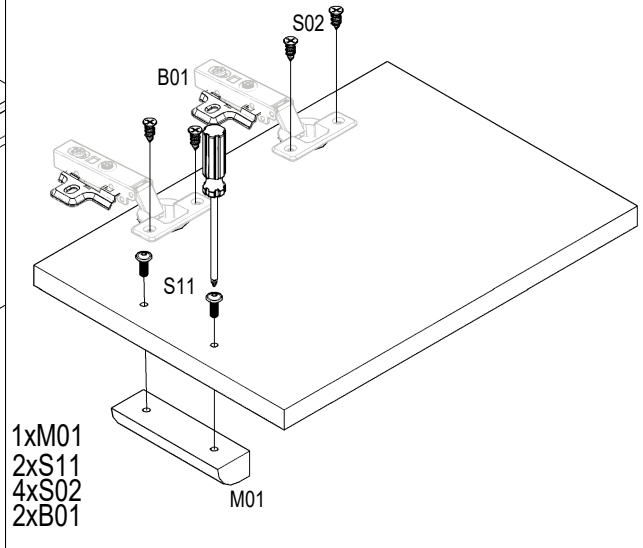
6.

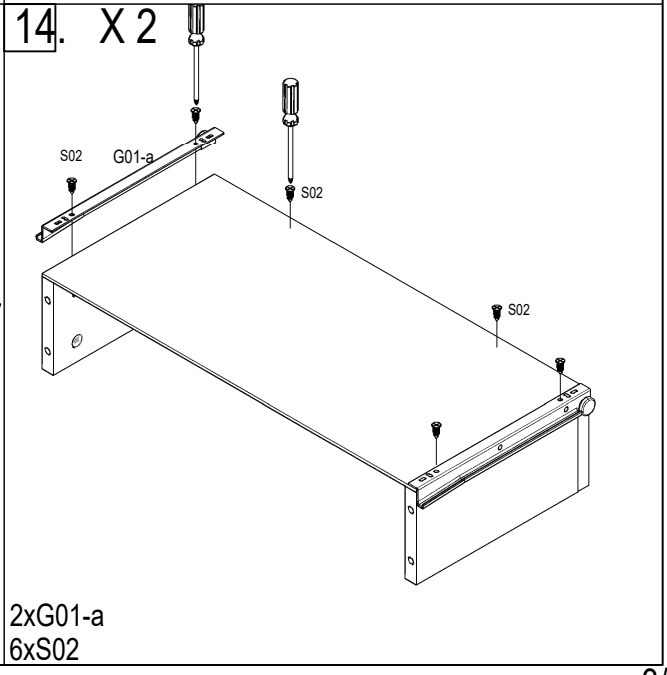
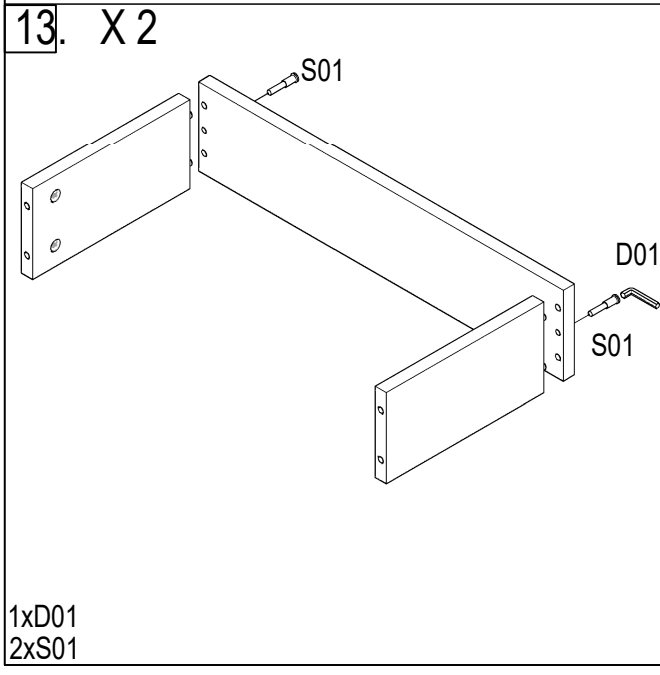
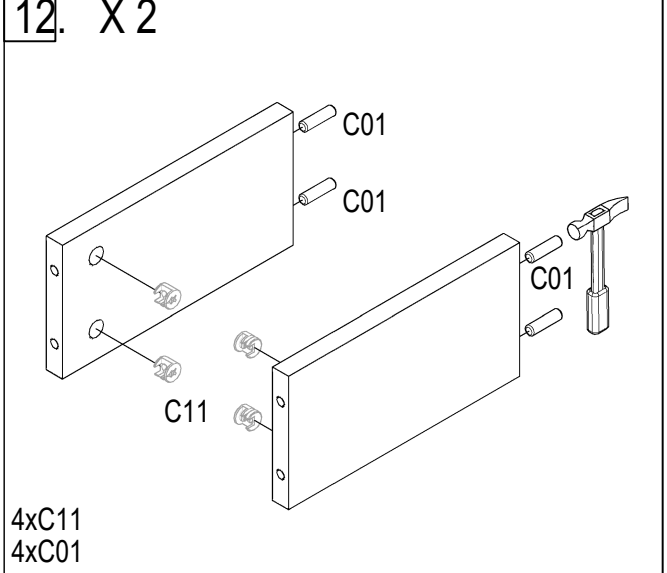
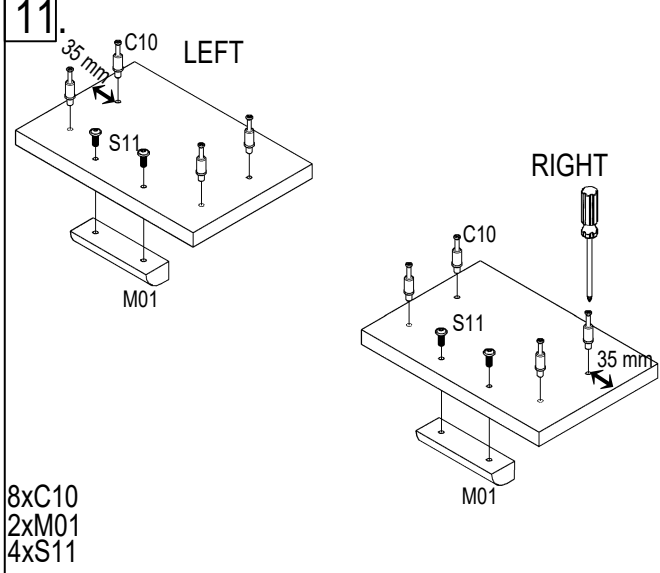
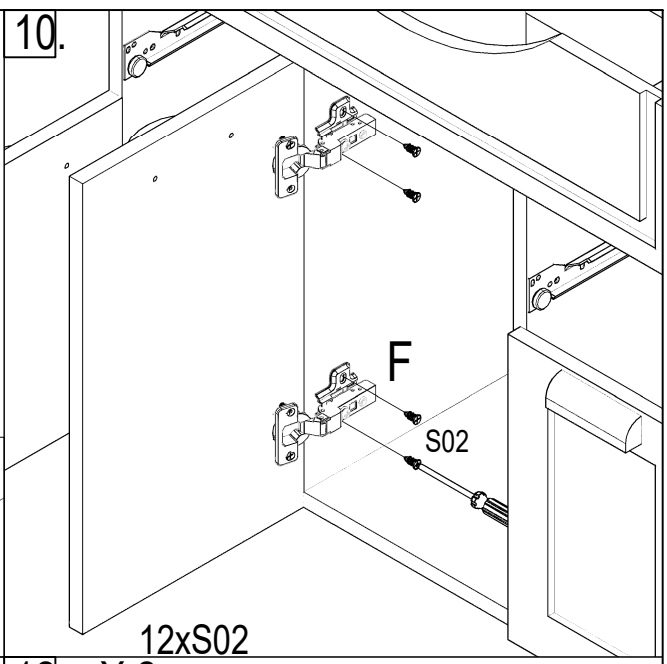
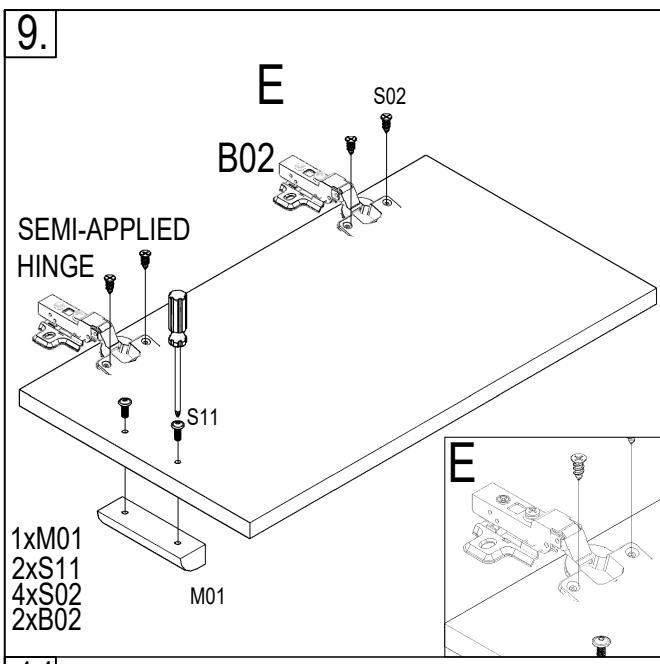


7.

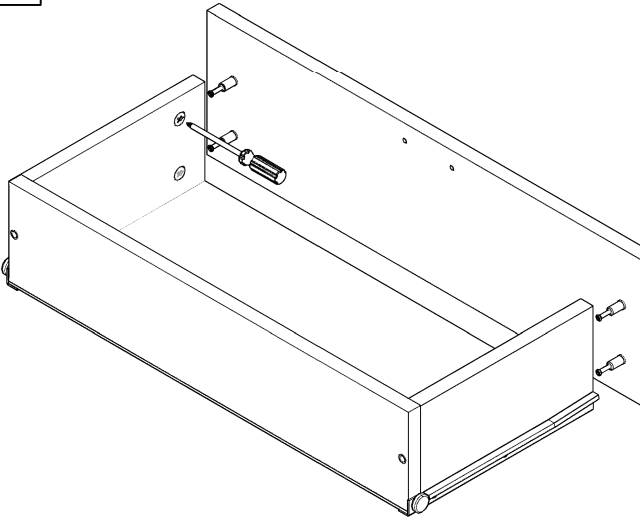


8. X 2

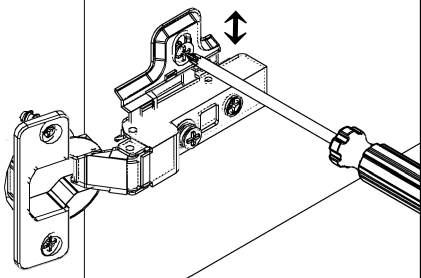
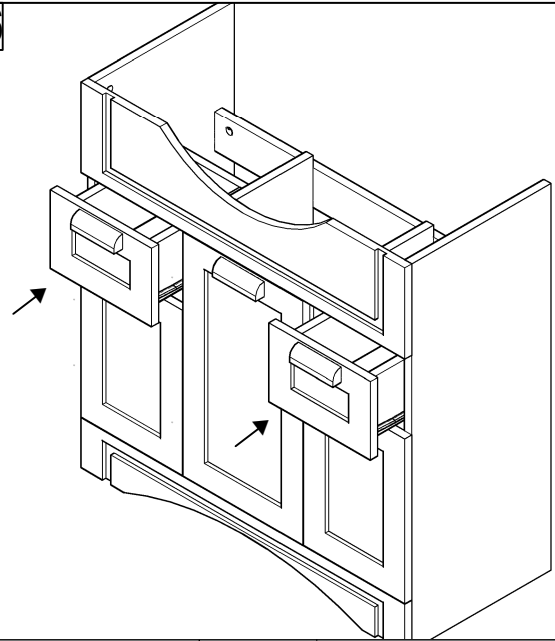




15. X 2

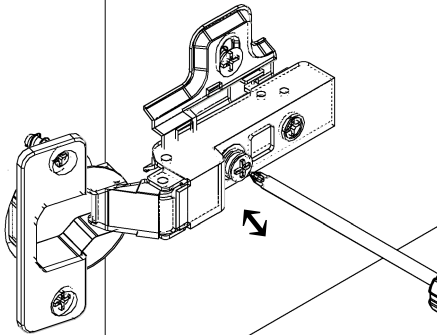


16



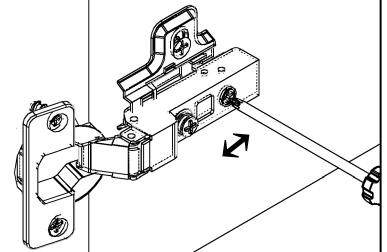
F 1

HEIGHT ADJUSTMENT



F 2

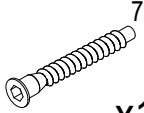



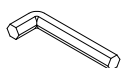
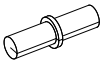
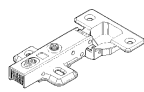

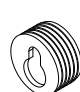
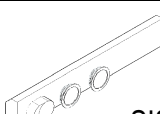
SIDE ADJUSTMENT

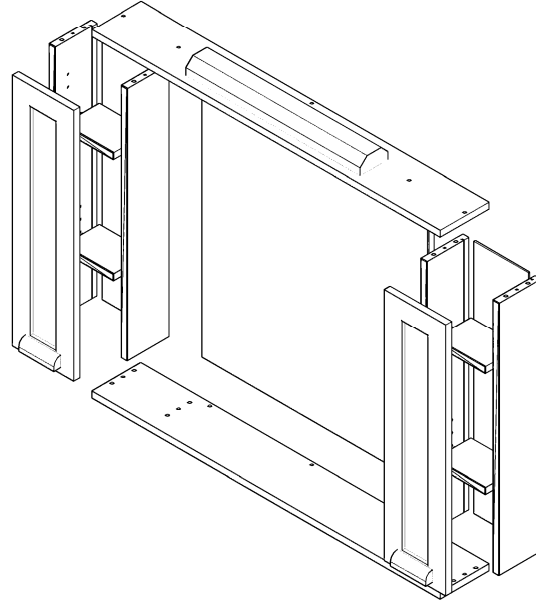
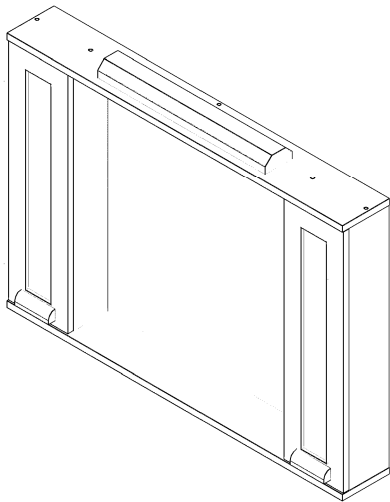


F 3

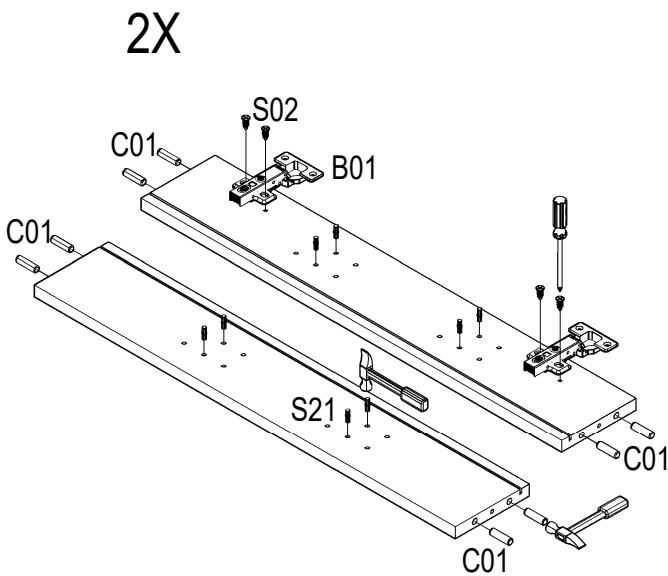
DEPTH ADJUSTMENT

# NR.46

 <p>7x50 S01</p>	 <p>3.5x16 S02</p>	 <p>M4x22 S11</p>	 <p>C01</p>	 <p>D01</p>	 <p>S21</p>
<p>x10</p>	<p>x25</p>	<p>x4</p>	<p>x20</p>	<p>x1</p>	<p>x16</p>
 <p>B01</p>	 <p>M01</p>	 <p>A04</p>	 <p>X1</p>	<p>SIST</p>	
<p>x4</p>	<p>x2</p>	<p>x2</p>	<p>x1</p>		

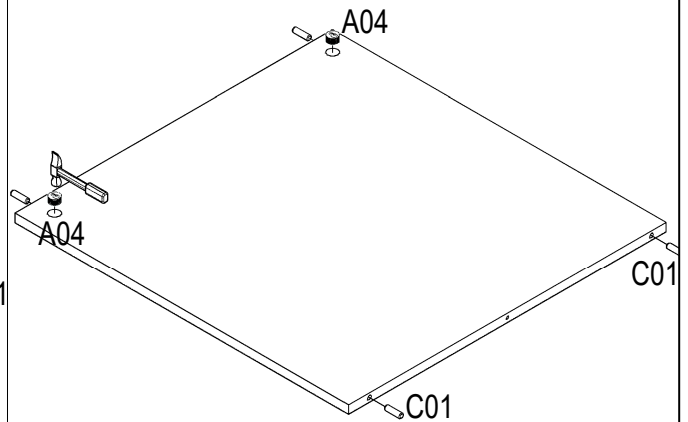


1.



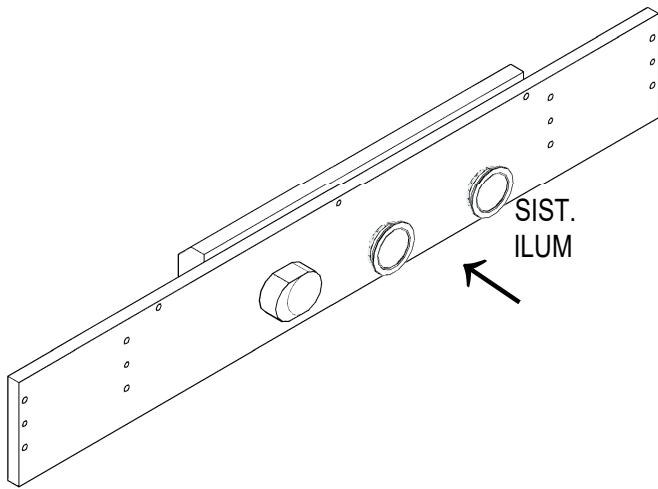
8xC01  
8xS21  
4xB01  
4xS02

2.

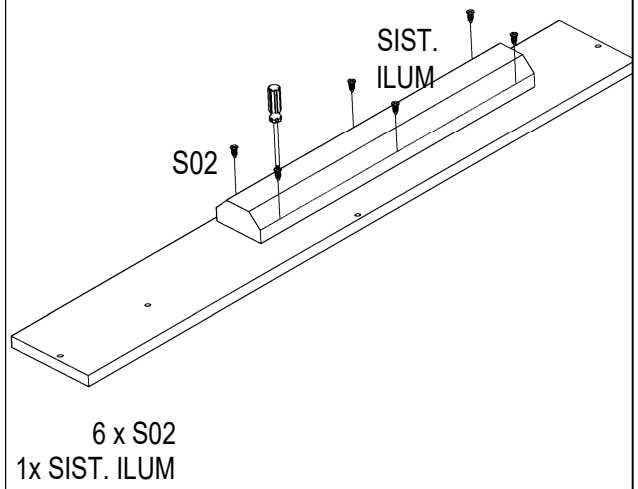


2xA04  
4xC01

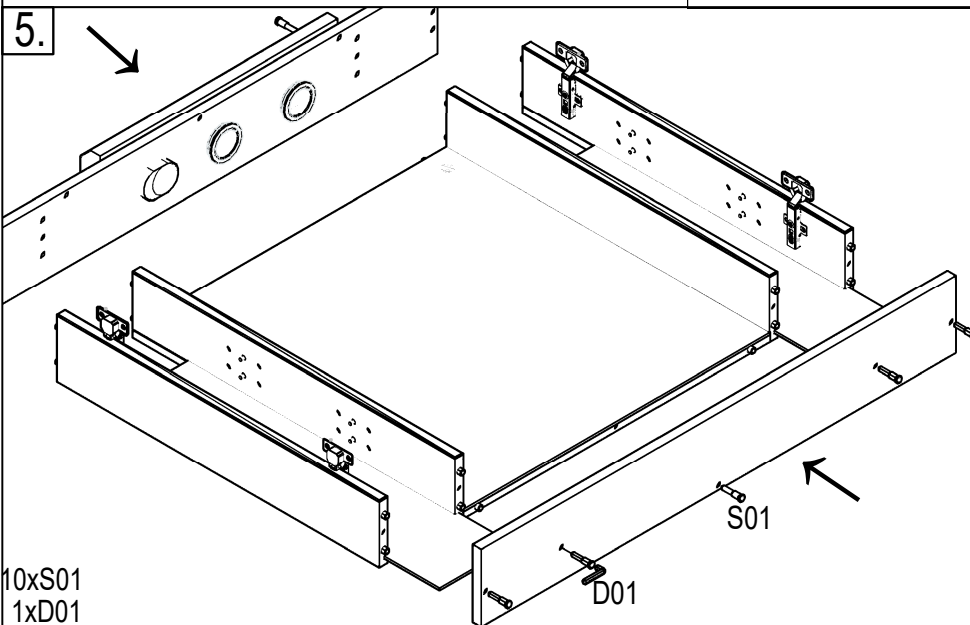
3.



4.

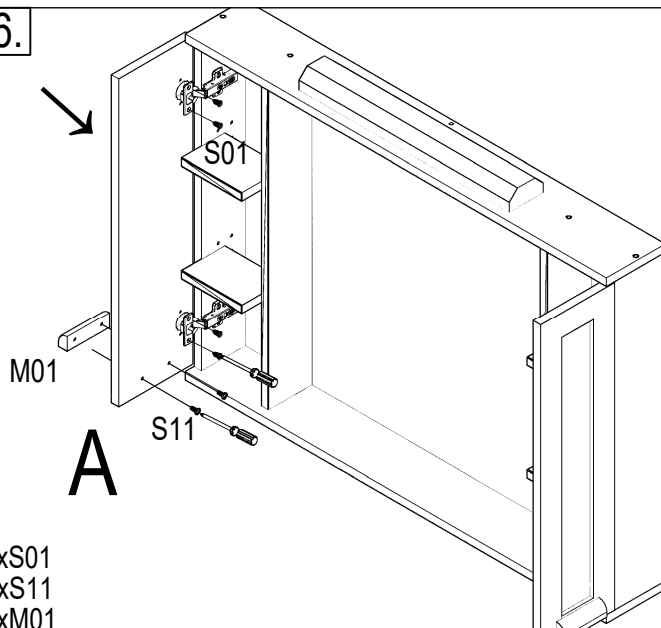


5.



10xS01  
1xD01

6.



8xS01  
4xS11  
2xM01

A

M01

