




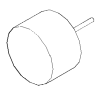
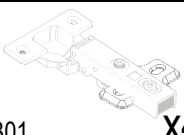
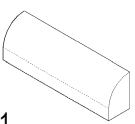
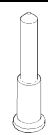
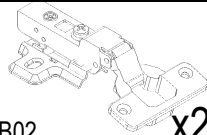


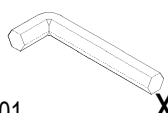
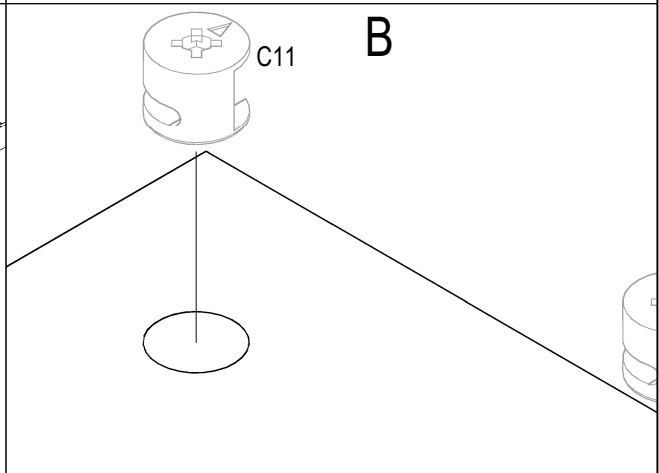
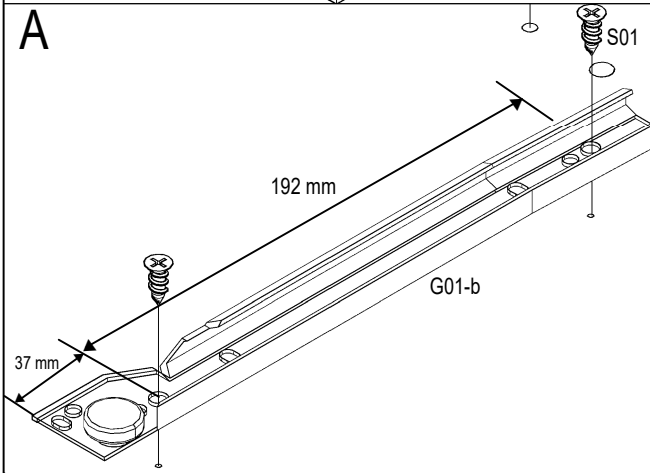
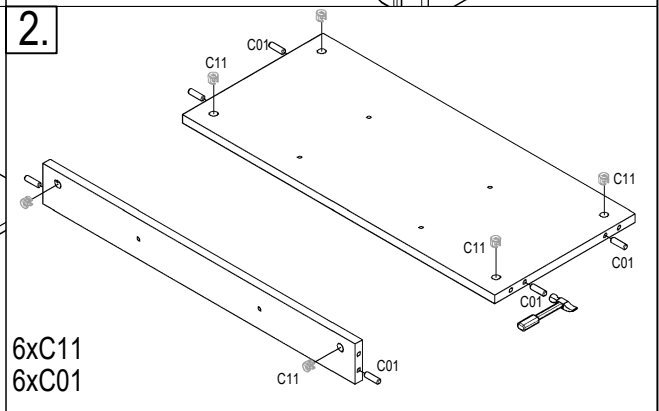
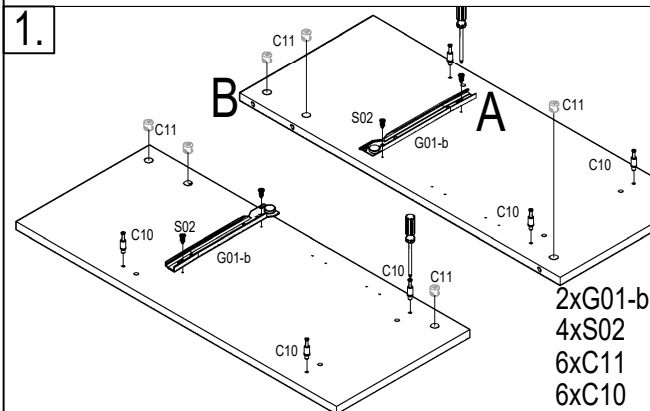
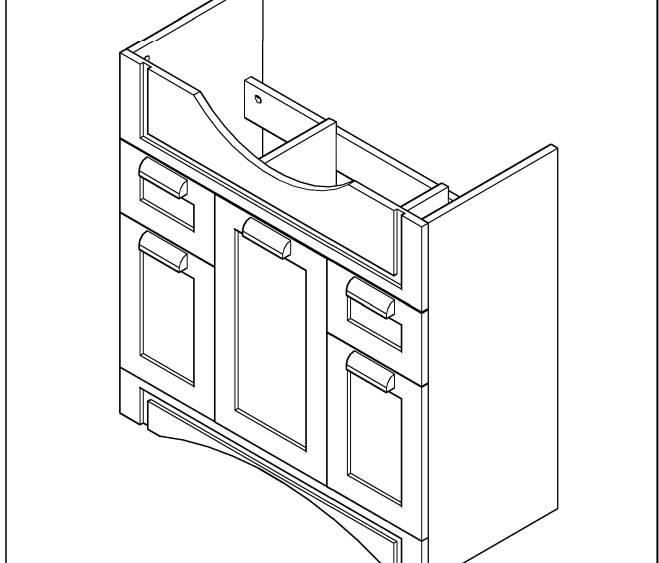
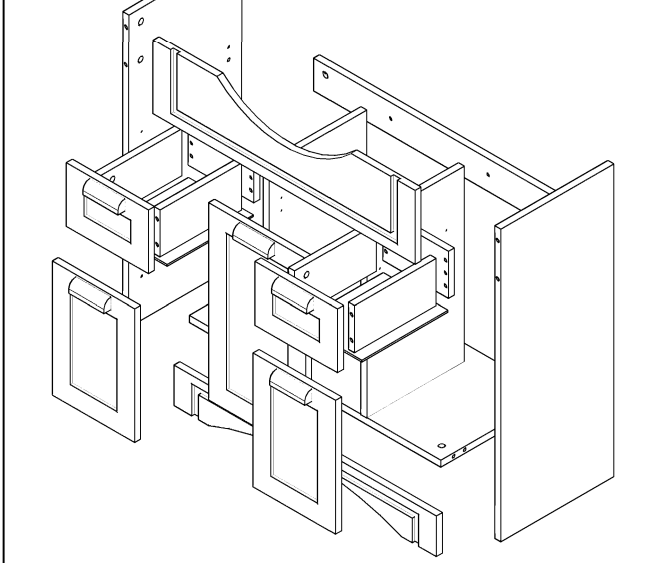
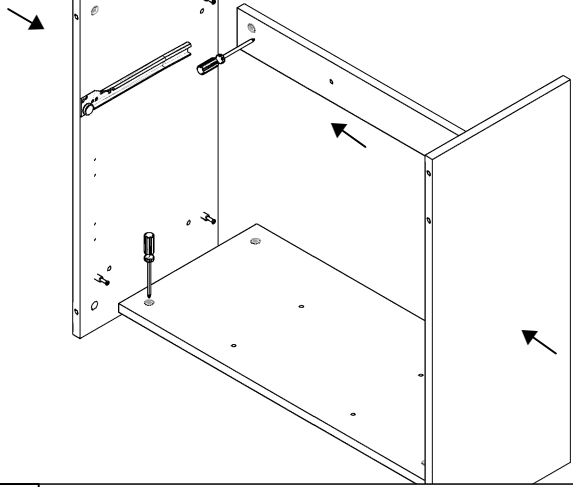


NR.44

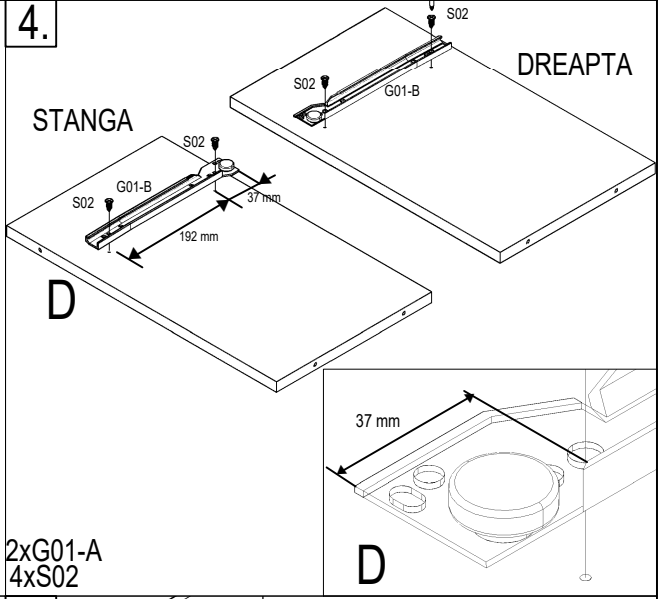
 S02 x44	 S11 x10	 C01 x14	 C10 x20	 C11 x20	 P01 x4
 B01 x4	 M01 x5	 S01 x10	 B02 x2	  G01 x2	 D01 x1



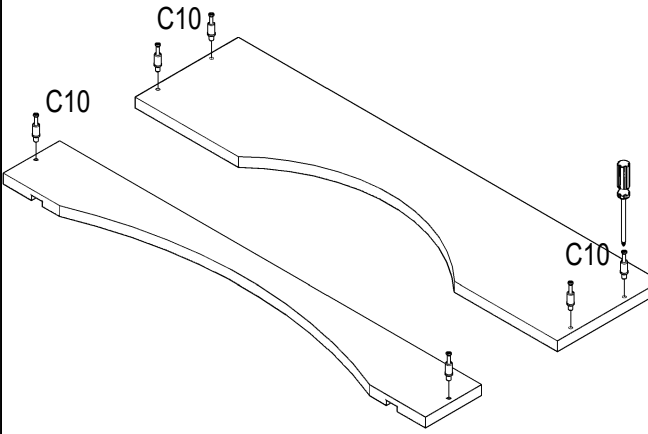
3.



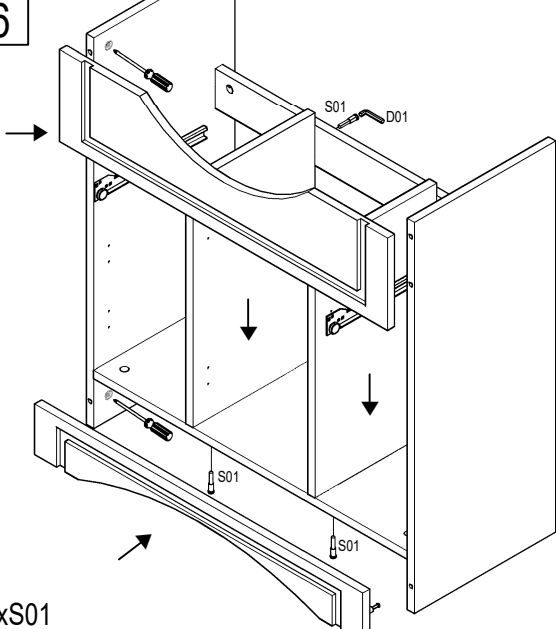
4.



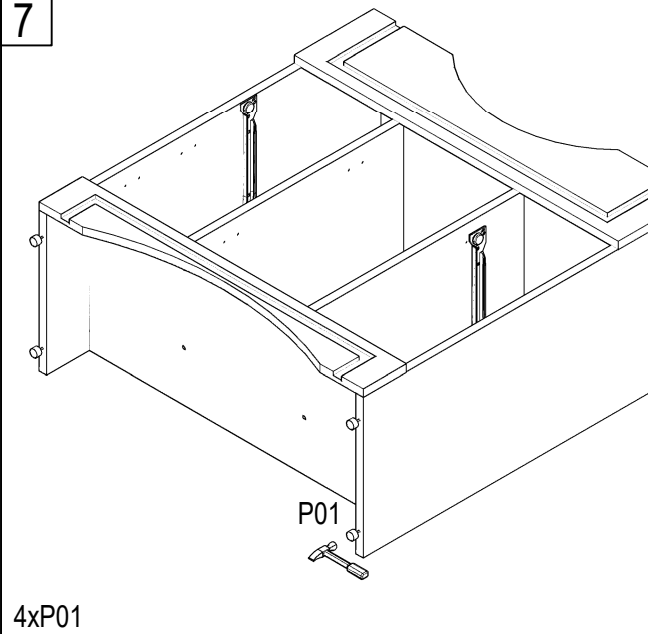
5.



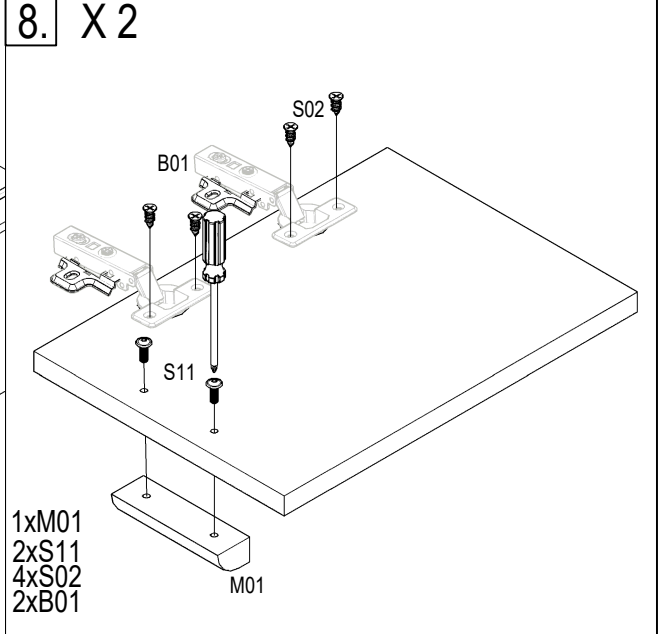
6.

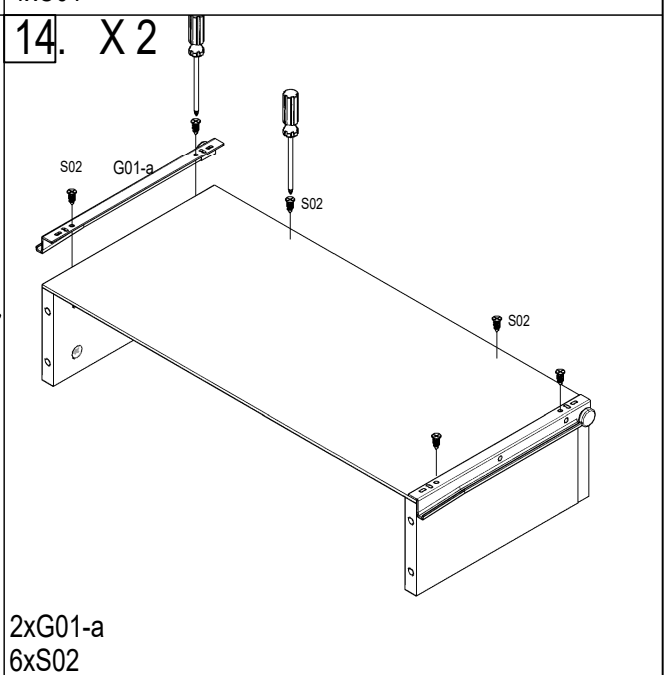
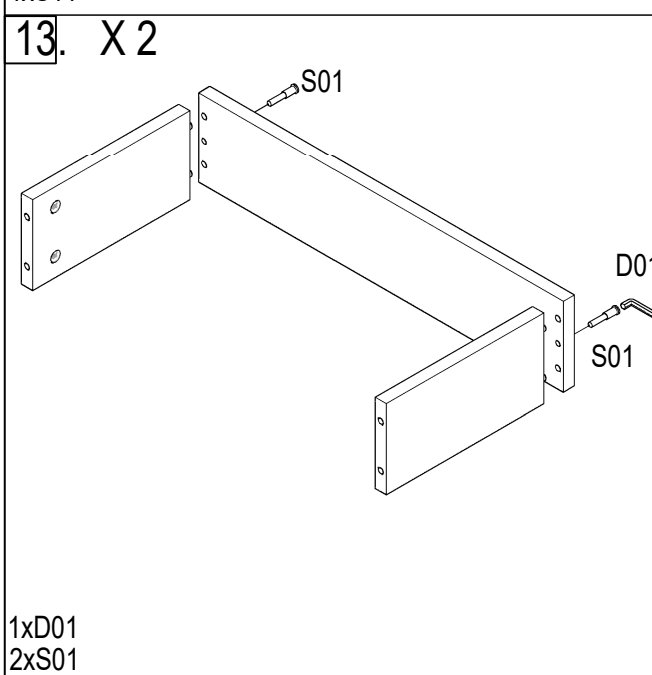
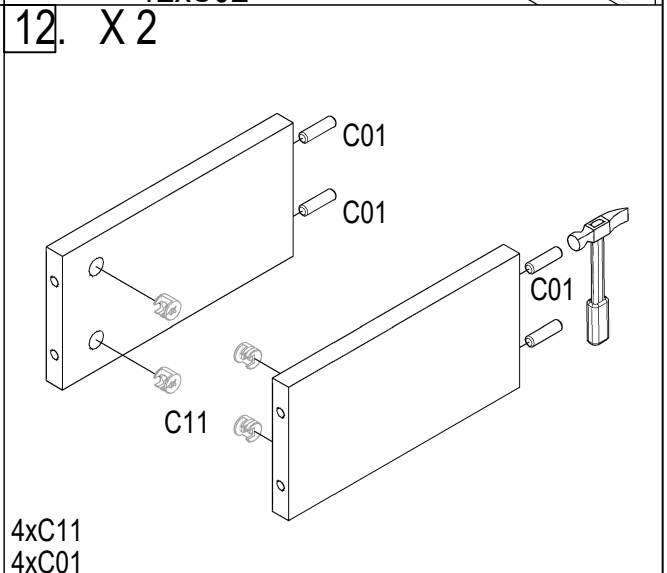
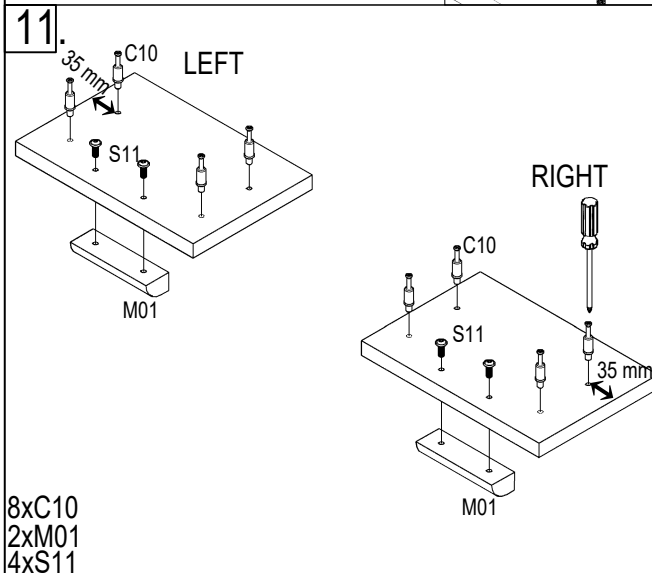
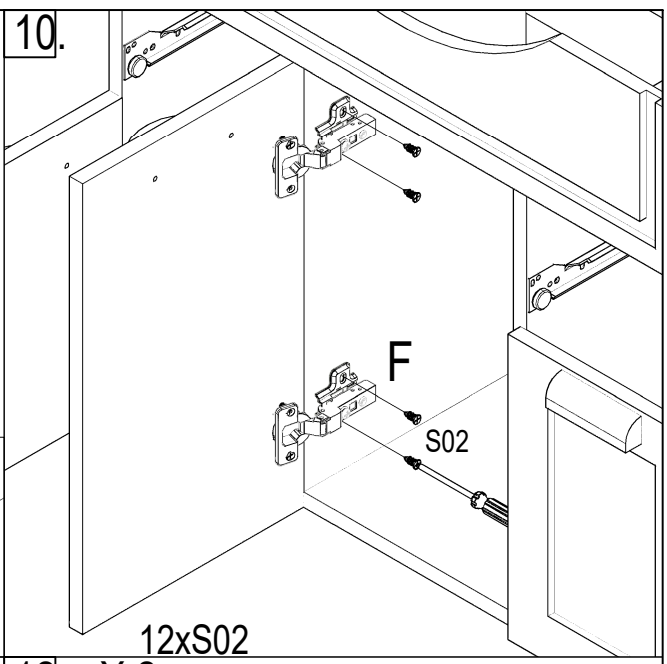
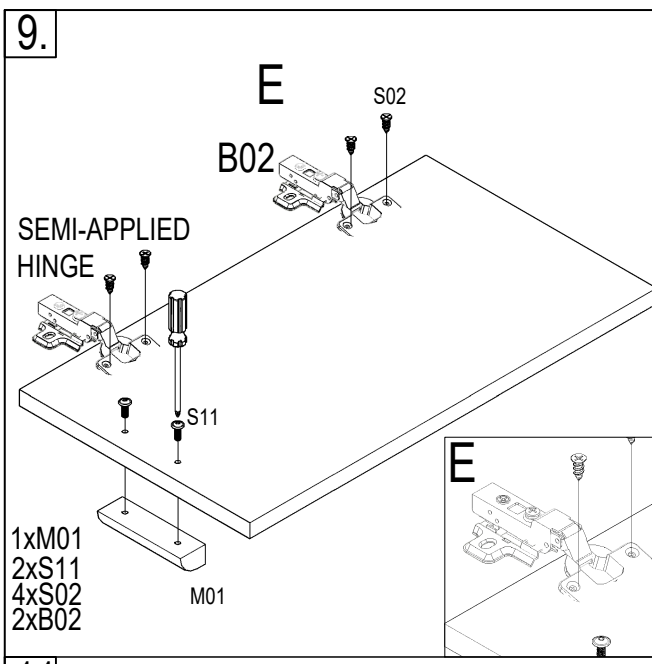


7.

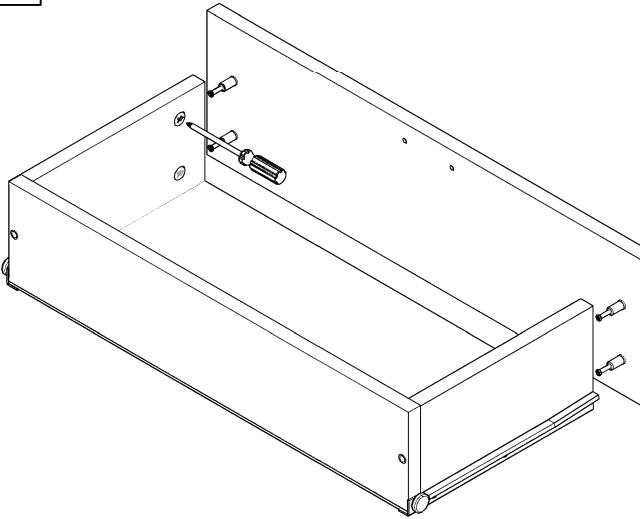


8. X 2

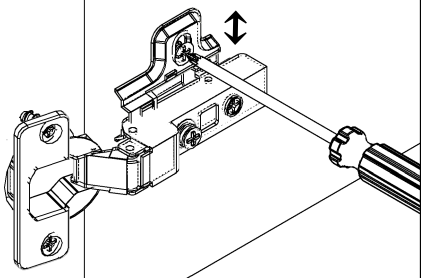
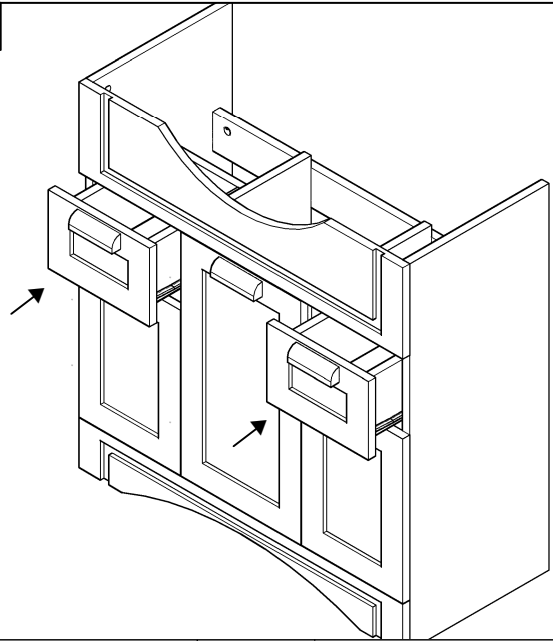




15. X 2

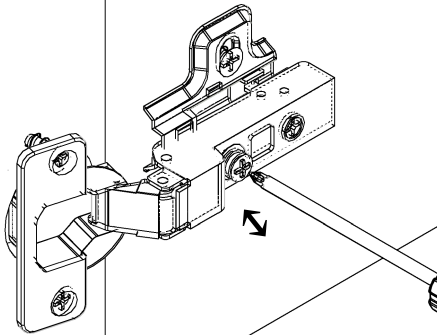


16



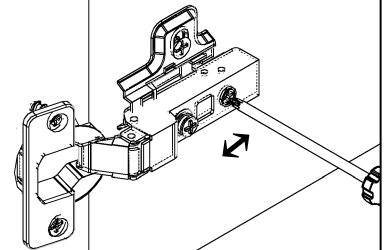
F 1

HEIGHT ADJUSTMENT



F 2

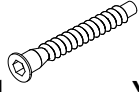



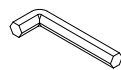
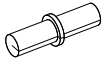
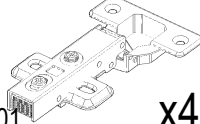
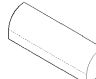





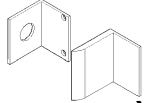
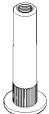
SIDE ADJUSTMENT



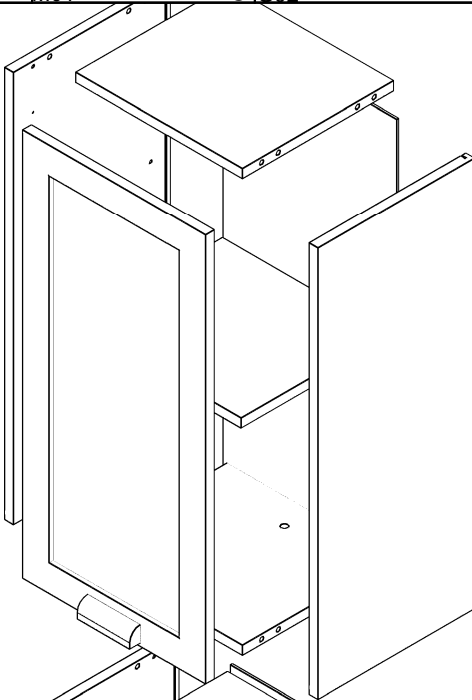
F 3

DEPTH ADJUSTMENT

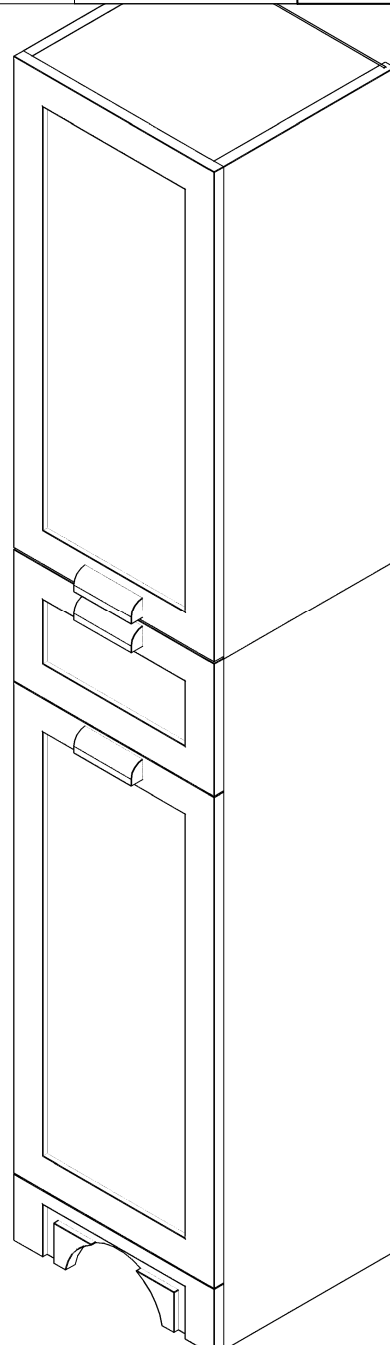
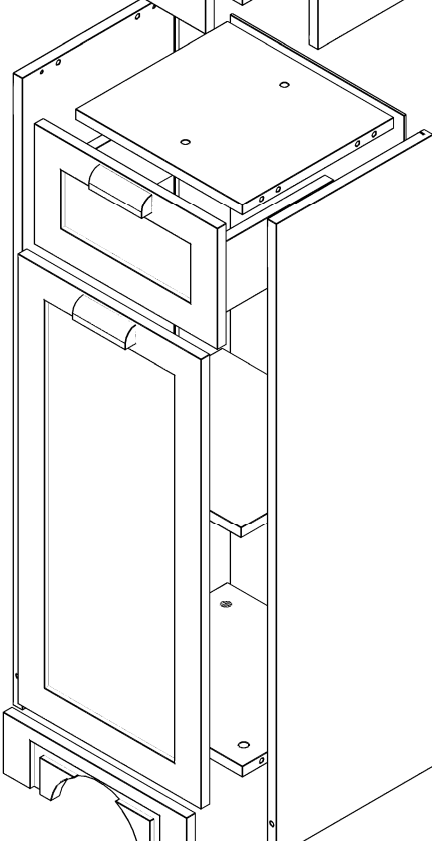
NR.113

 7x50 S01	 3.5x16 S02	 M4x22 S11	 C01	 D01	 S21
x2	x42	x6	x20	x1	x9
 B01	 M01	 G02-a  G02-b G02	 P01	 C10	 C11
x4	x3	x2	x4	x22	x22
				 A02	 S05
				x2	x2

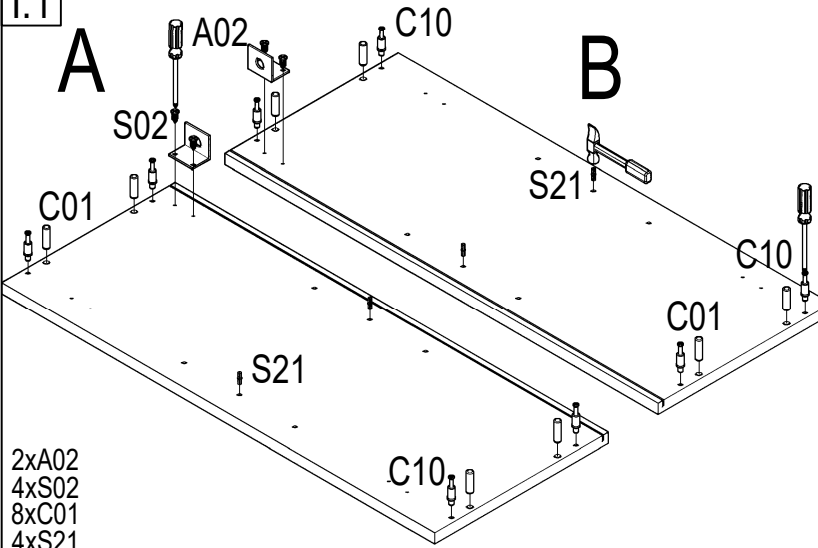
I



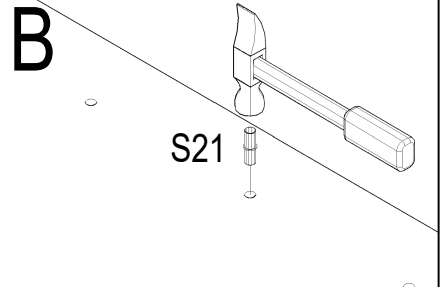
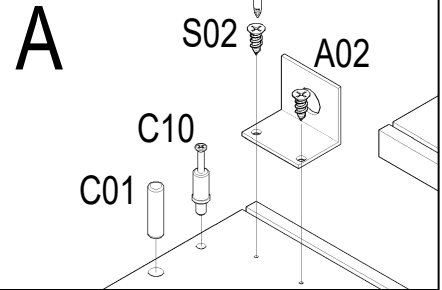
II



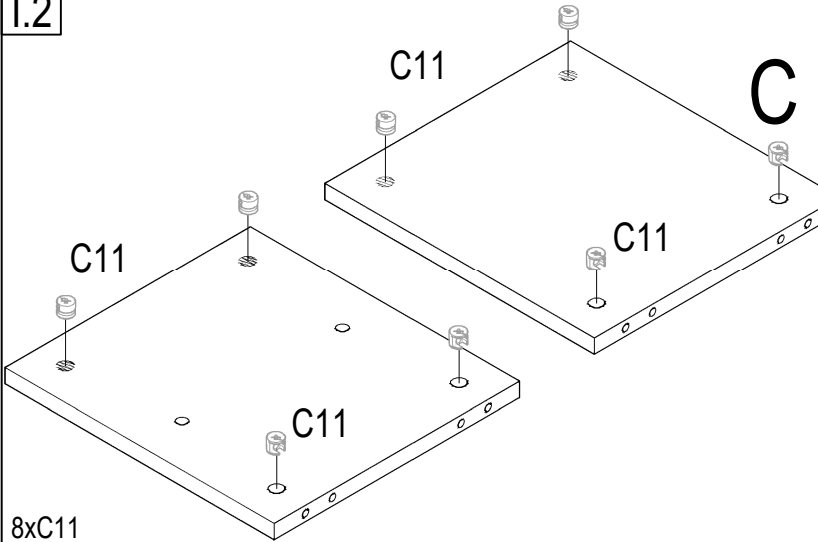
I.1



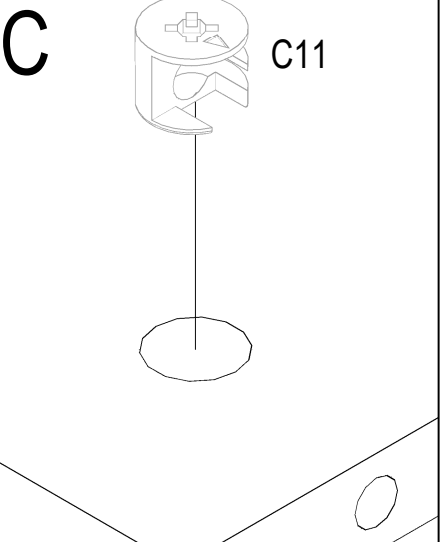
2xA02
4xS02
8xC01
4xS21
8xC10



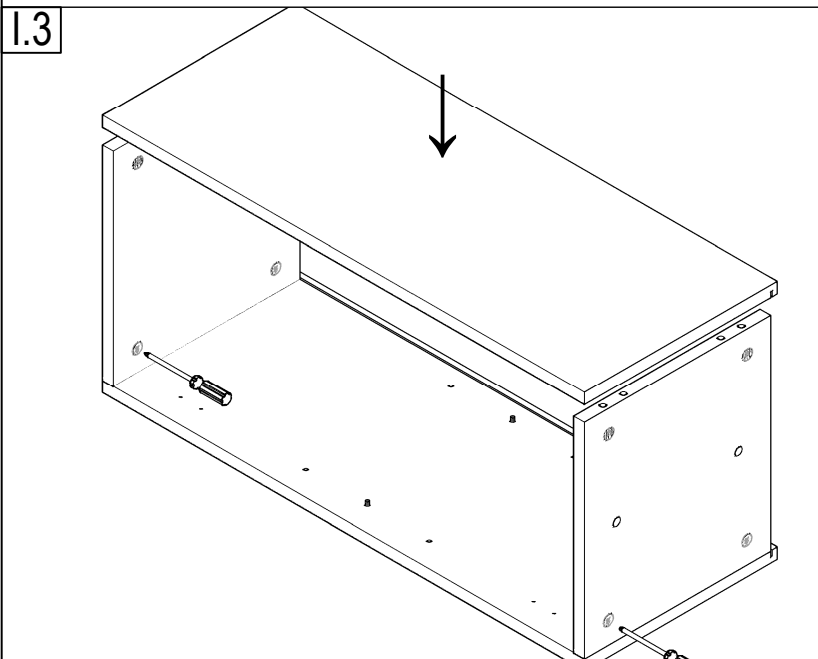
I.2



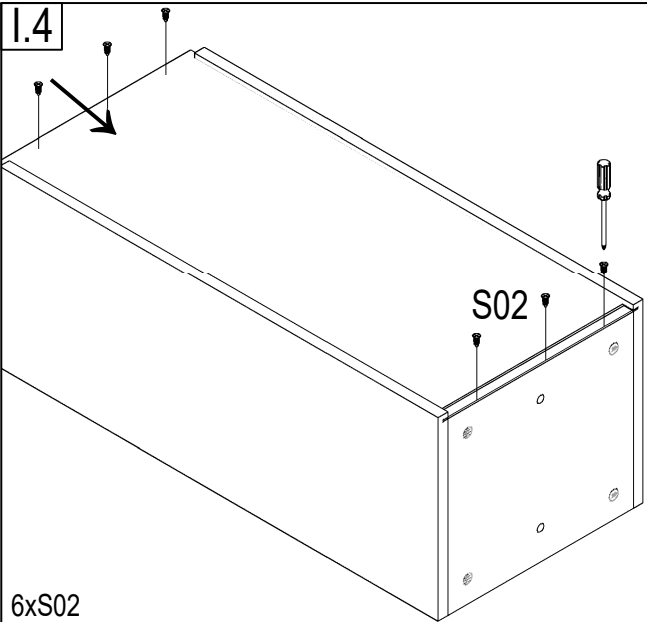
8xC11



I.3

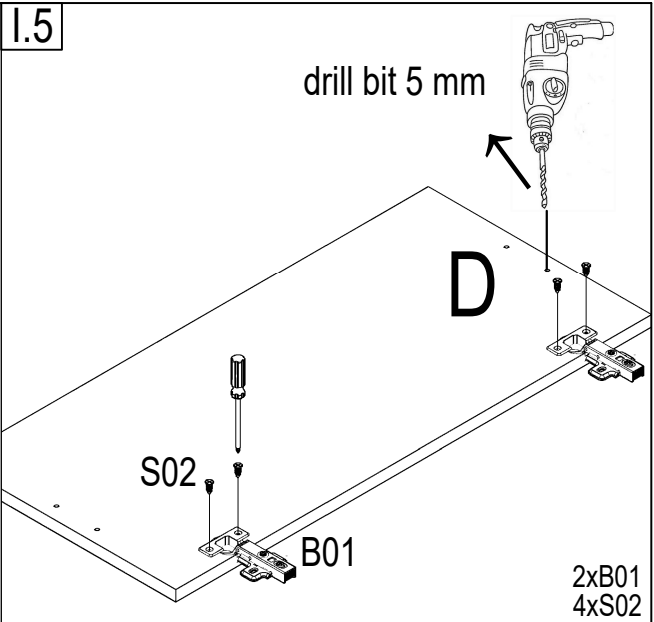


I.4



6xS02

I.5



drill bit 5 mm

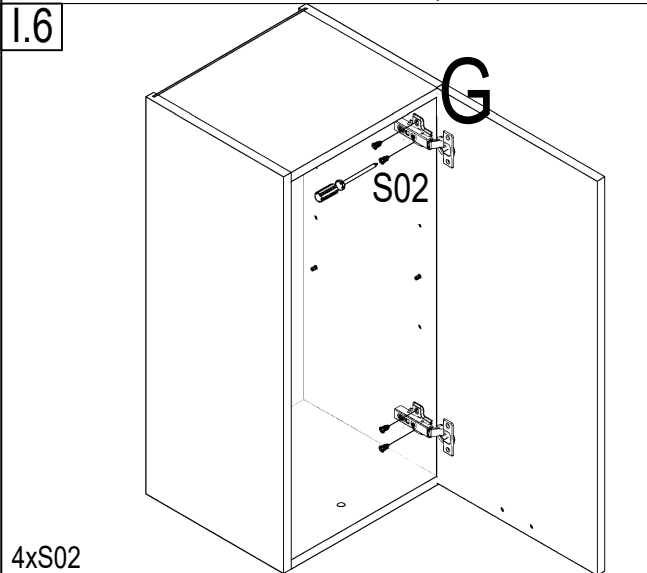
D

S02

B01

2xB01
4xS02

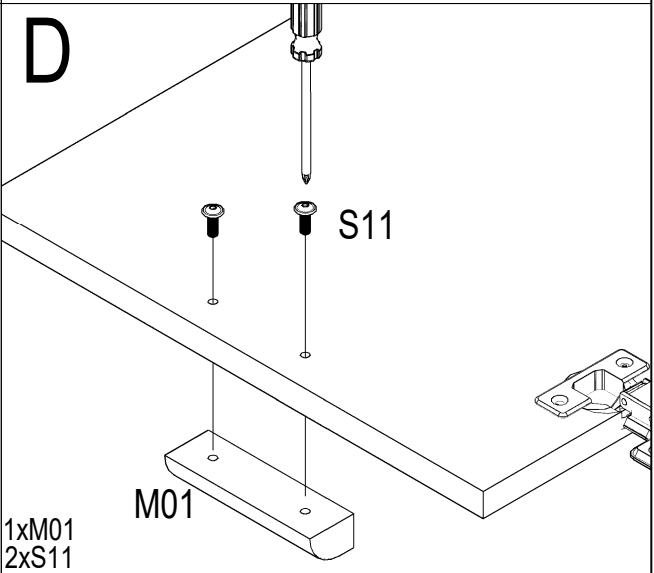
I.6



G

S02

4xS02



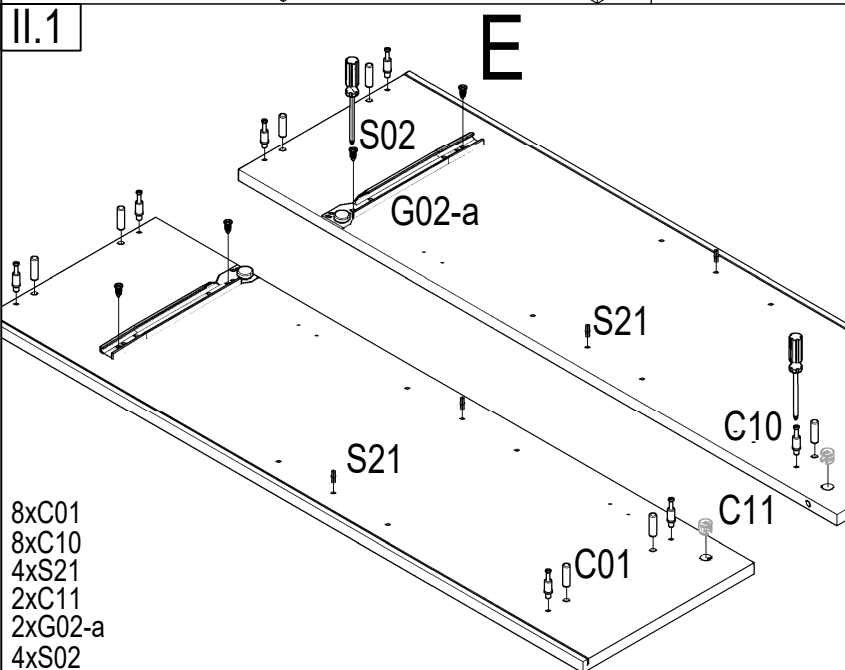
D

S11

M01

1xM01
2xS11

II.1



E

S02

G02-a

S21

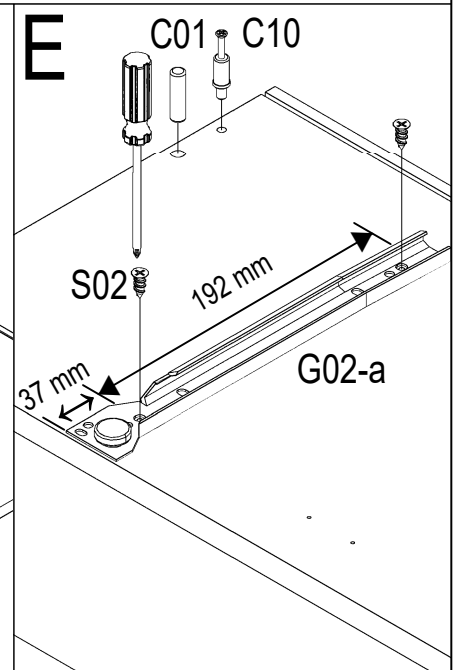
S21

C10

C11

C01

8xC01
8xC10
4xS21
2xC11
2xG02-a
4xS02



E

C01 C10

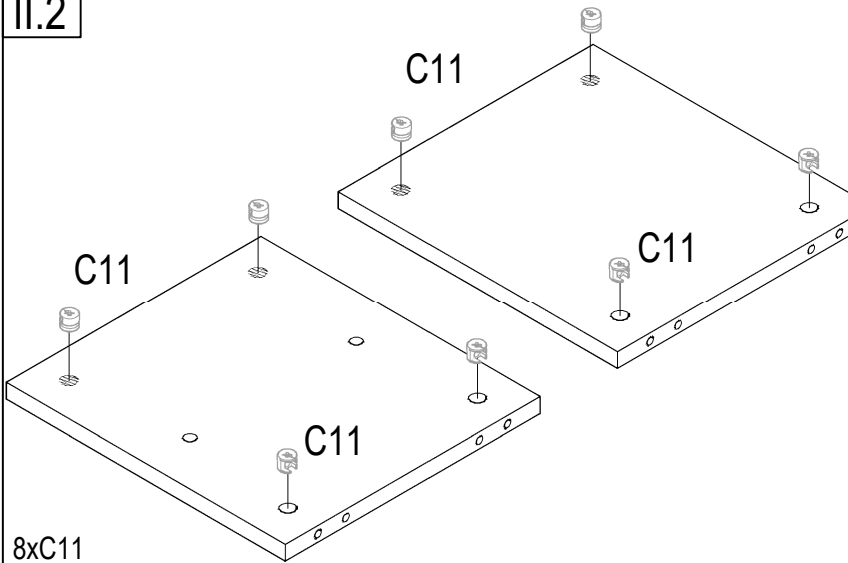
S02

192 mm

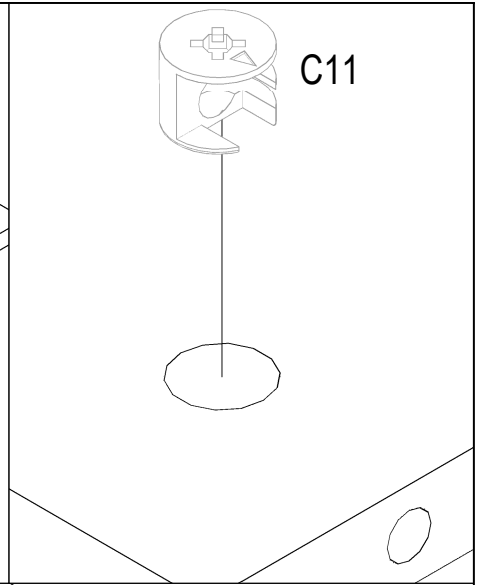
G02-a

37 mm

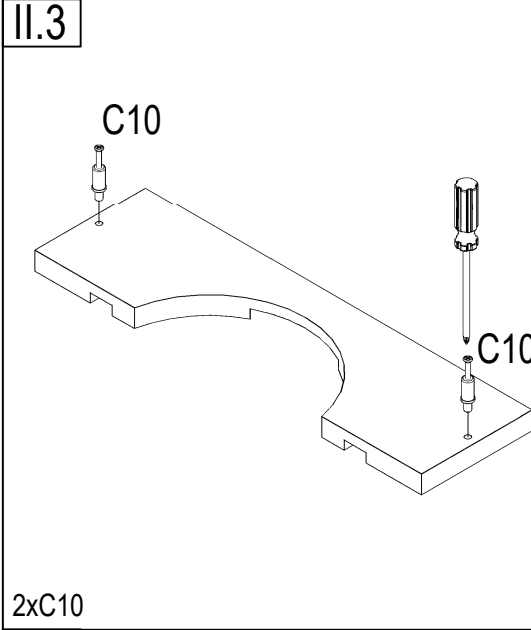
II.2



8xC11

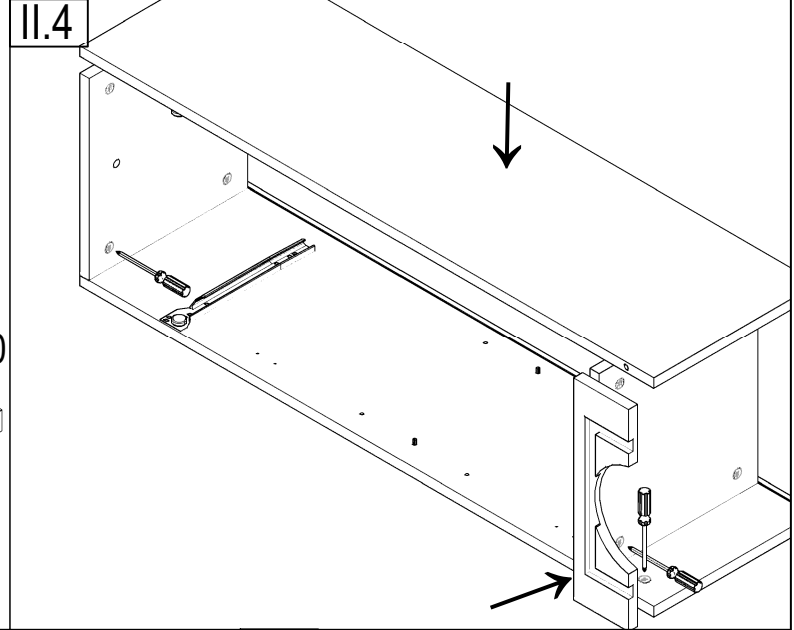


II.3

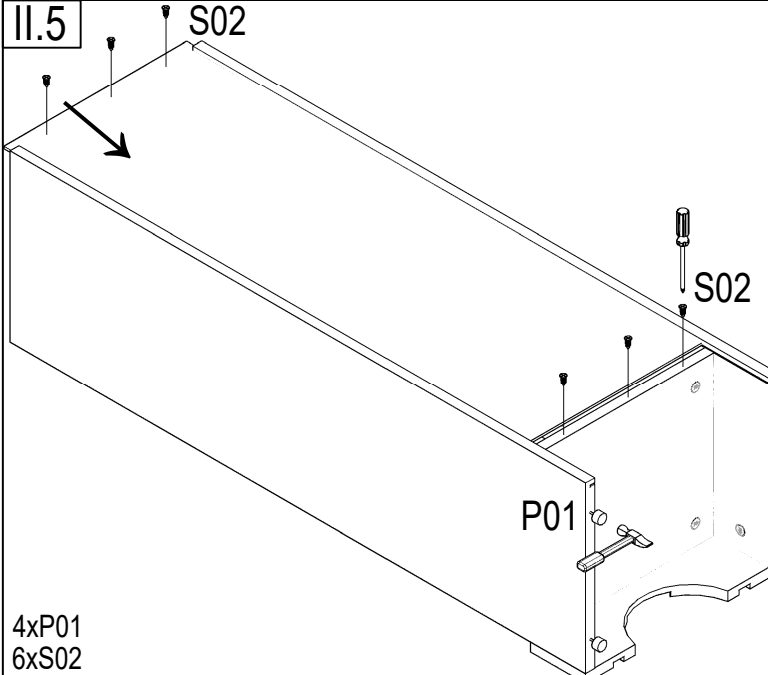


2xC10

II.4

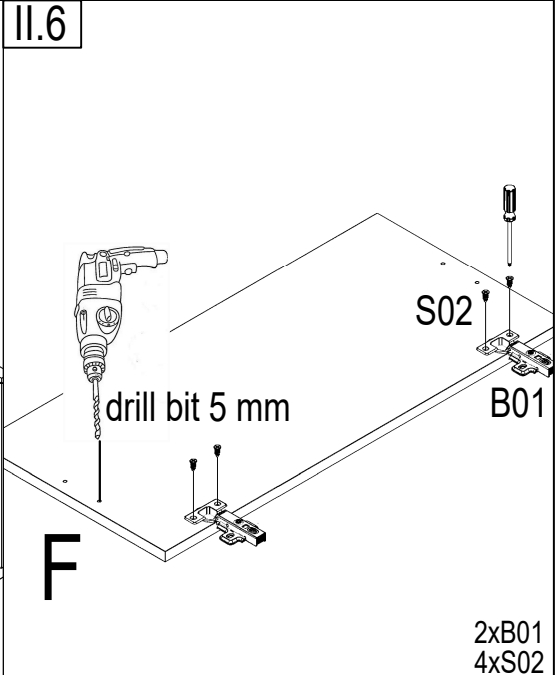


II.5

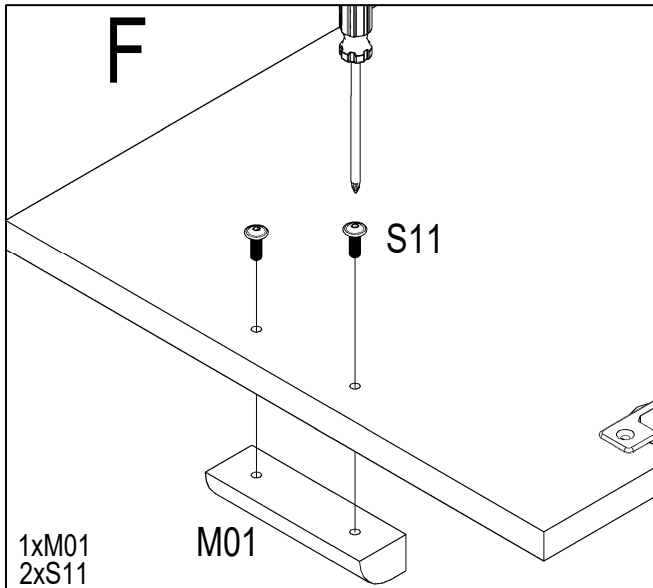


4xP01
6xS02

II.6

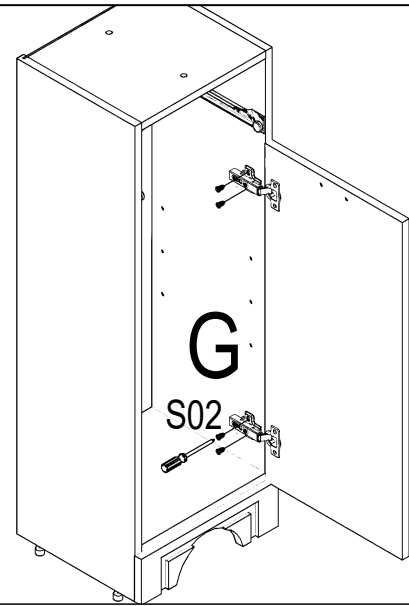


2xB01
4xS02



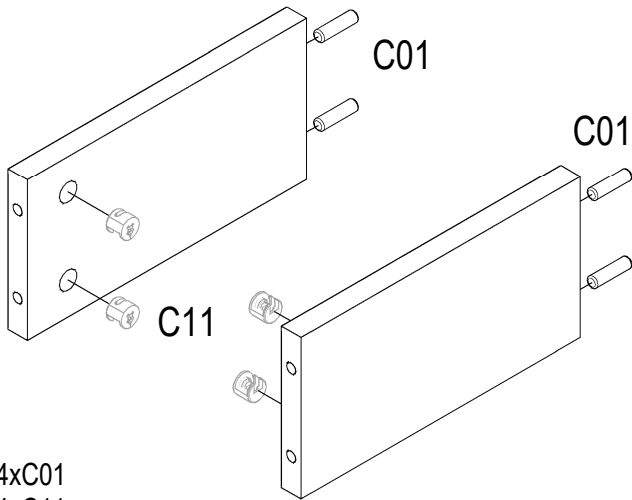
1xM01
2xS11

II.7



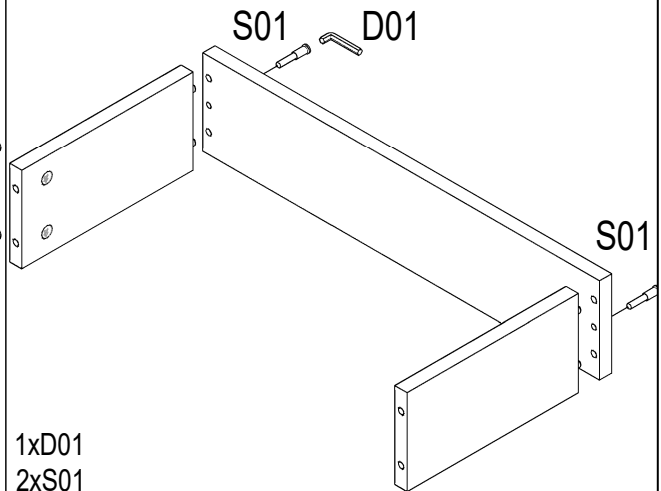
4xS02

II.8



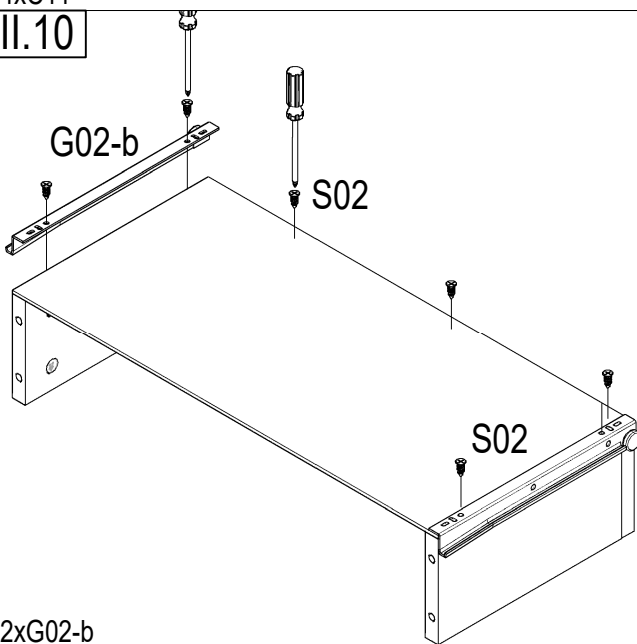
4xC01
4xC11

II.9



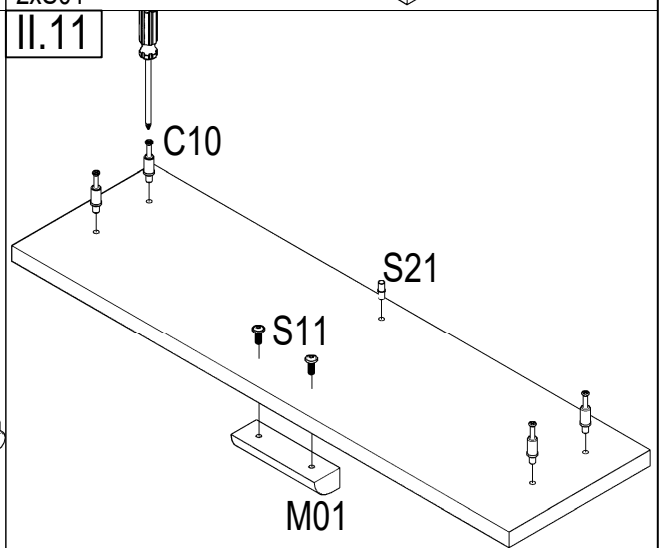
1xD01
2xS01

II.10



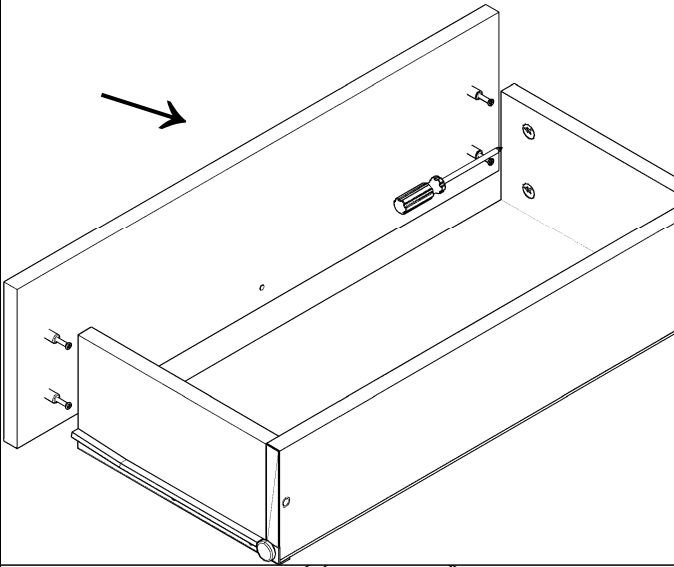
2xG02-b
6xS02

II.11

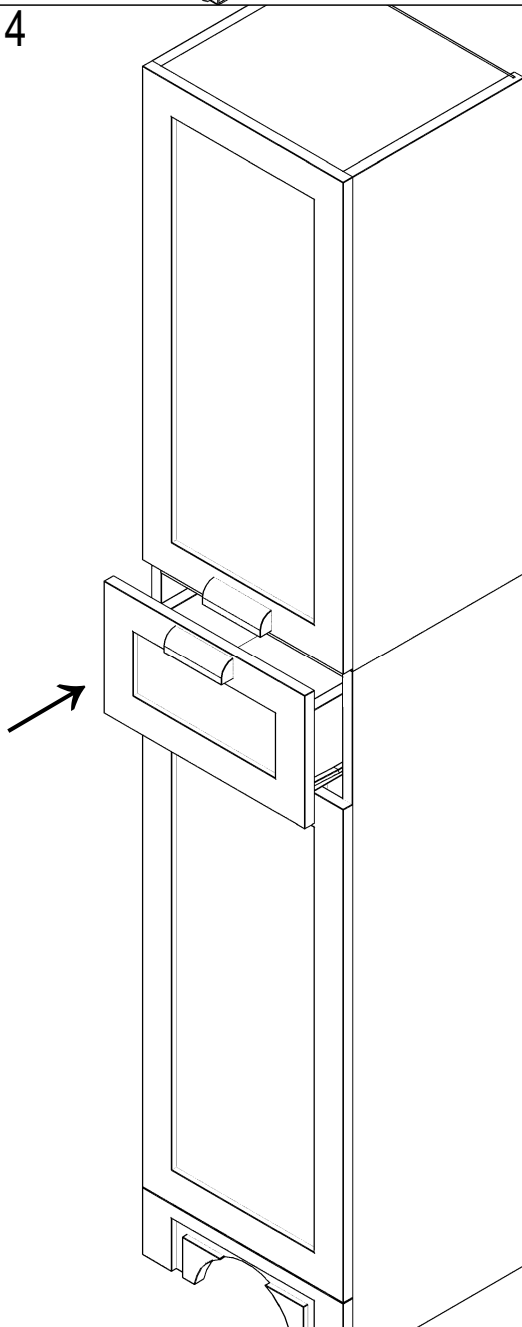


4xC10
1xS21
1xM01
2xS11

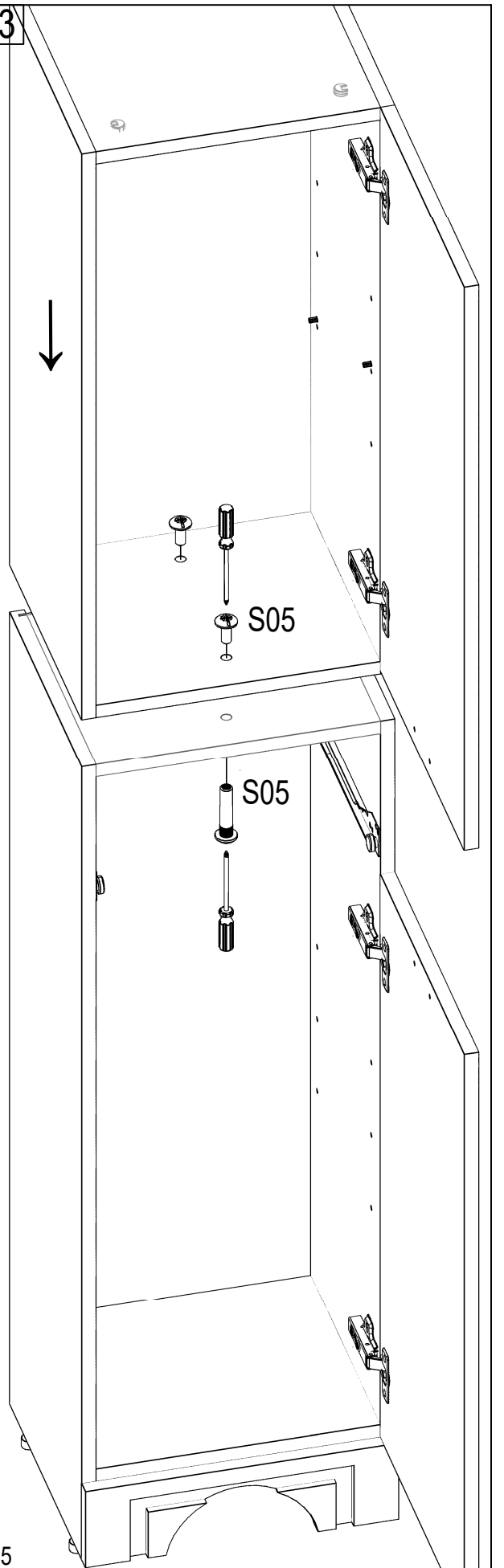
II.12



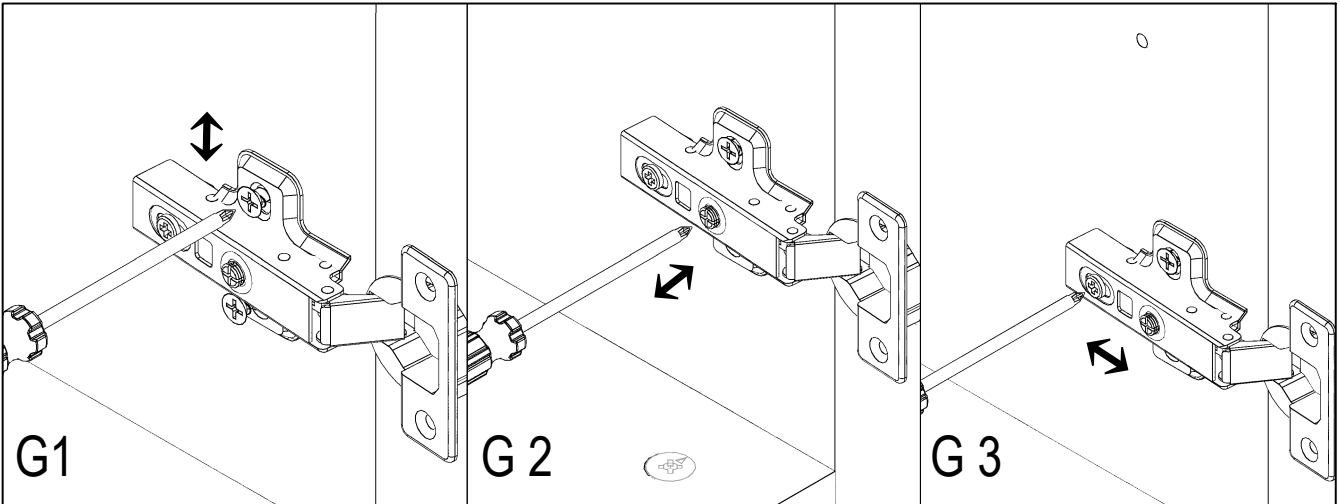
II.14



II.13



2xS05



G1

G2

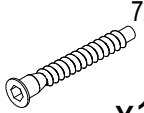



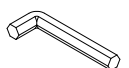
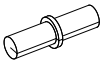
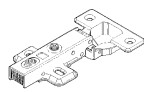

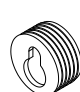
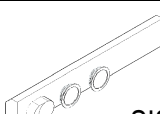
G3

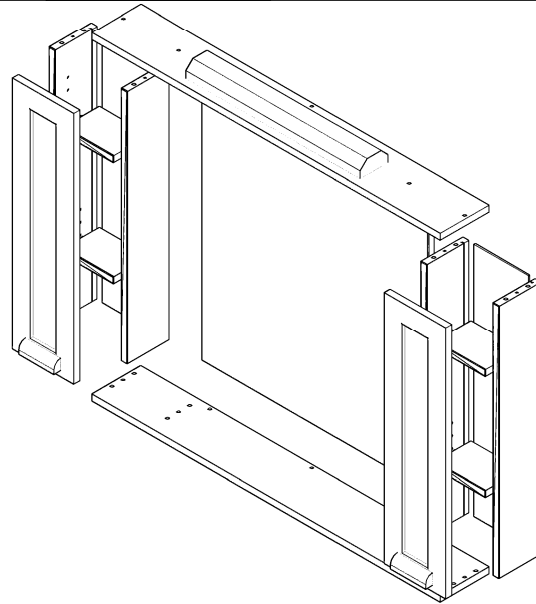
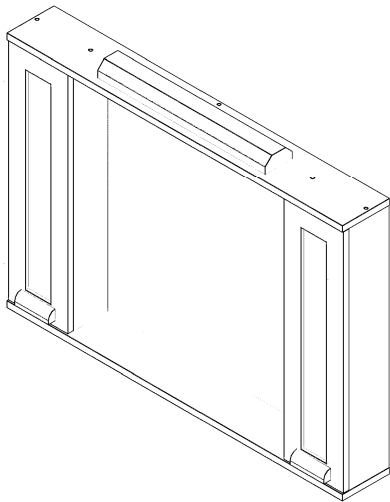
HEIGHT ADJUSTMENT

SIDE ADJUSTMENT

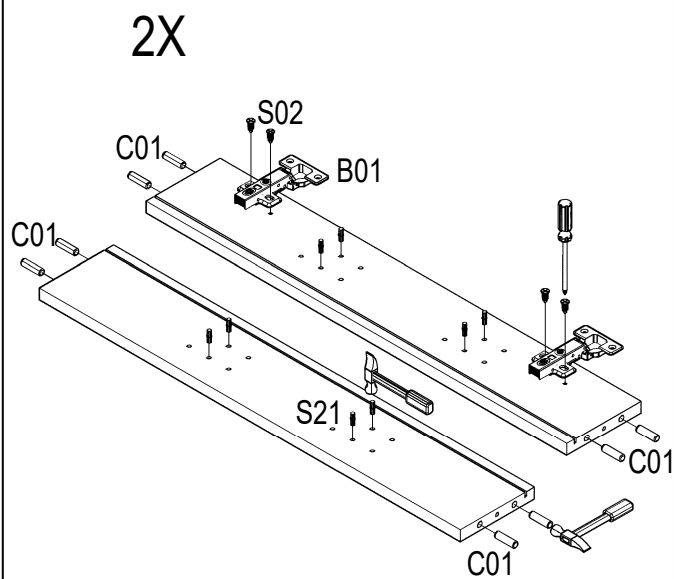
DEPTH ADJUSTMENT

NR.46

 <p>7x50 S01</p>	 <p>3.5x16 S02</p>	 <p>M4x22 S11</p>	 <p>C01</p>	 <p>D01</p>	 <p>S21</p>
<p>x10</p>	<p>x25</p>	<p>x4</p>	<p>x20</p>	<p>x1</p>	<p>x16</p>
 <p>B01</p>	 <p>M01</p>	 <p>A04</p>	 <p>X1</p>	<p>SIST</p>	
<p>x4</p>	<p>x2</p>	<p>x2</p>	<p>x1</p>		

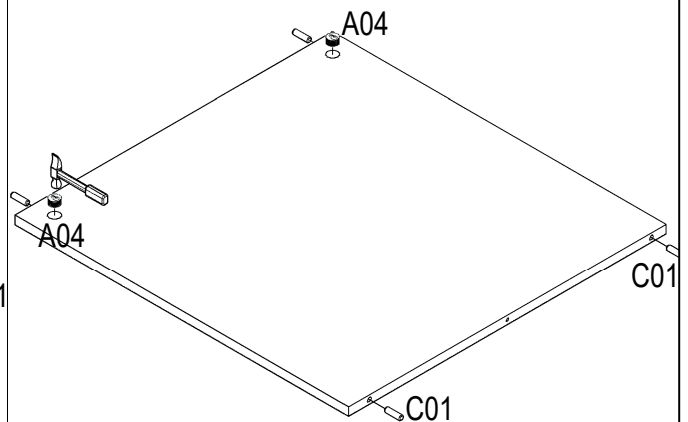


1.



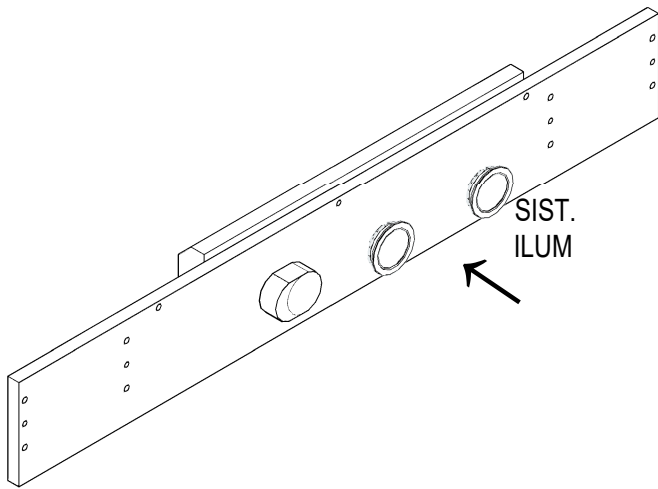
8xC01
8xS21
4xB01
4xS02

2.

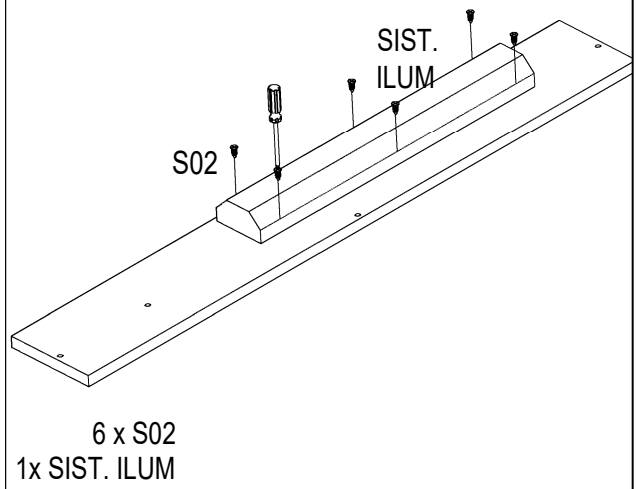


2xA04
4xC01

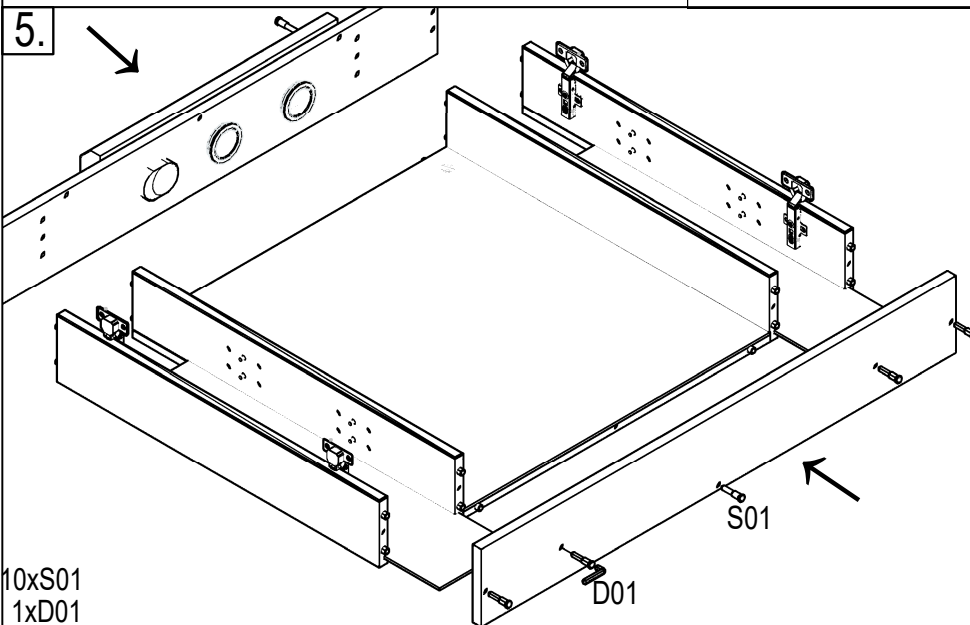
3.



4.

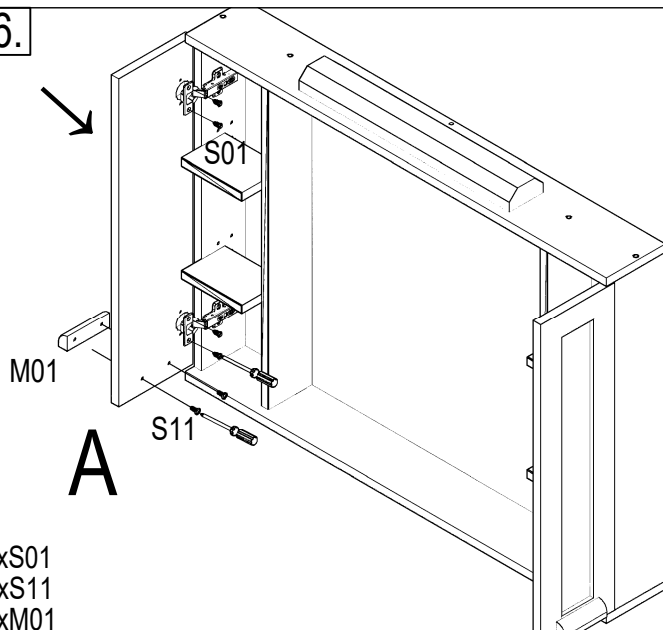


5.



10xS01
1xD01

6.



8xS01
4xS11
2xM01

A

