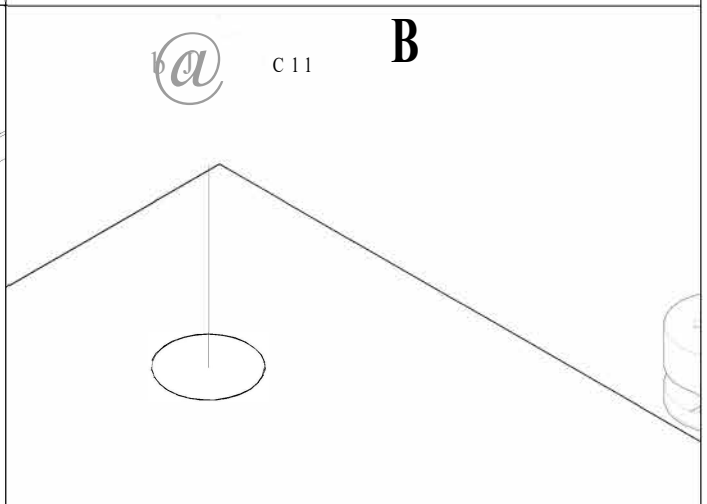
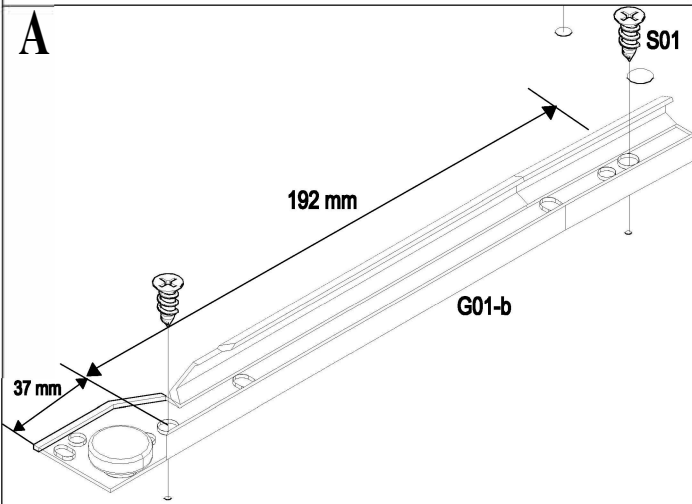
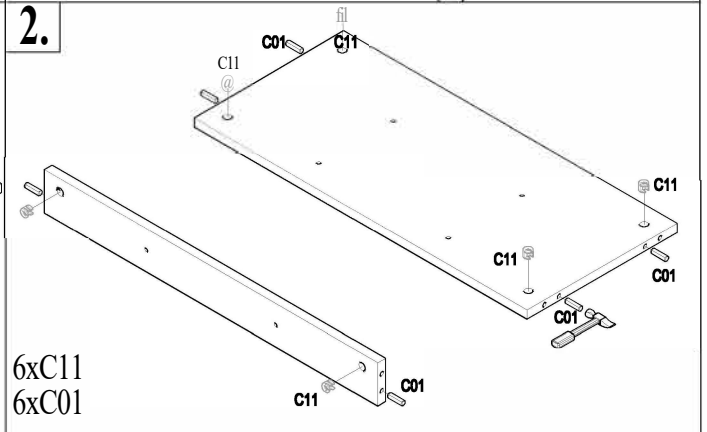
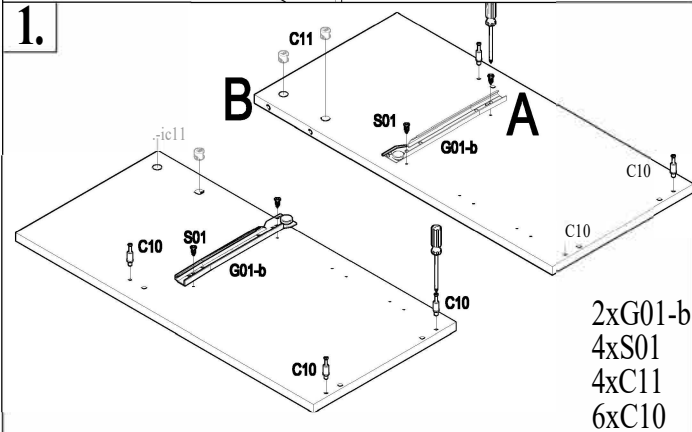
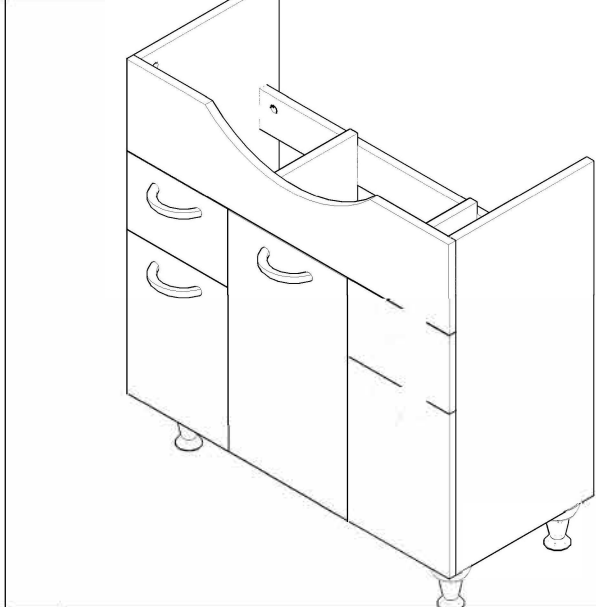
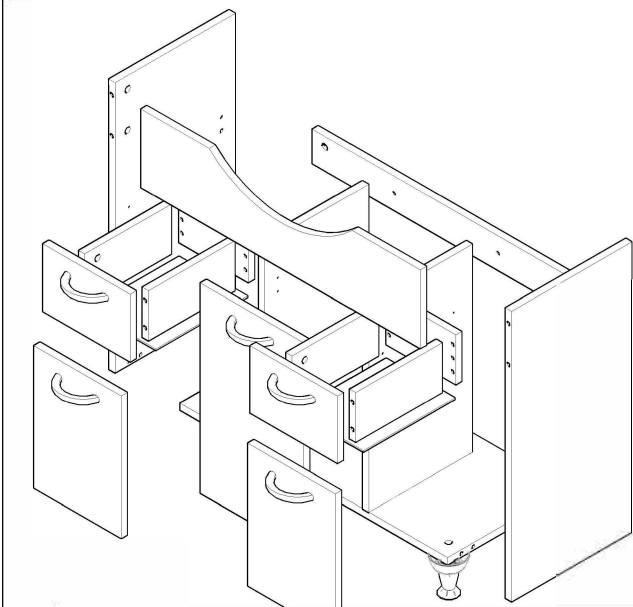
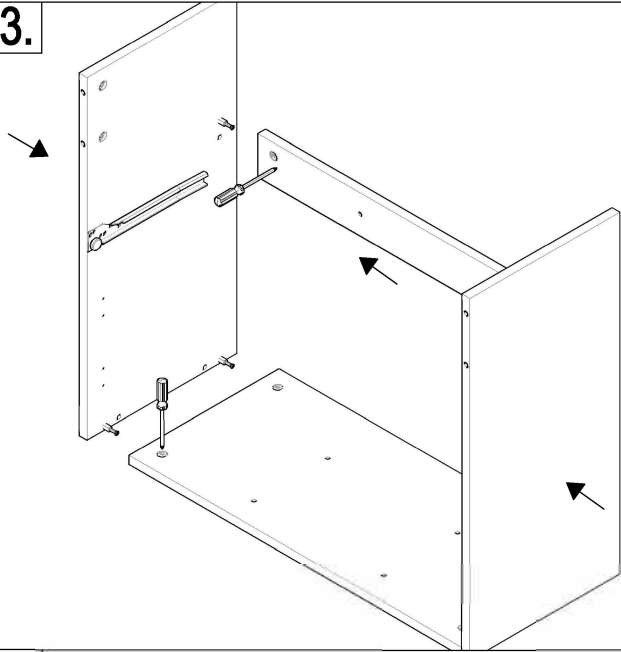


NR.24

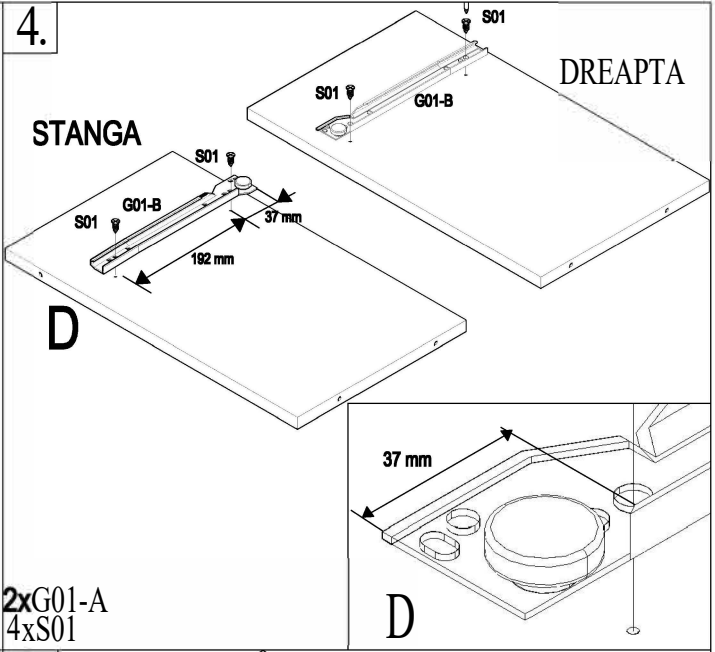
	3.5x16	M4x22						
S01	x60	S11	1	x10	C01	x14	C10	x18
								P01
								x4
B01	x4	M01	x5	S02	B	x10	B02	x2
							G01	x2



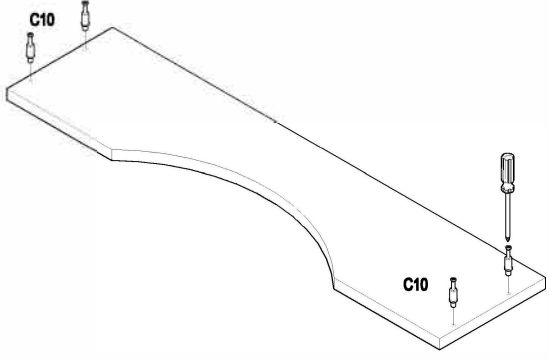
3.



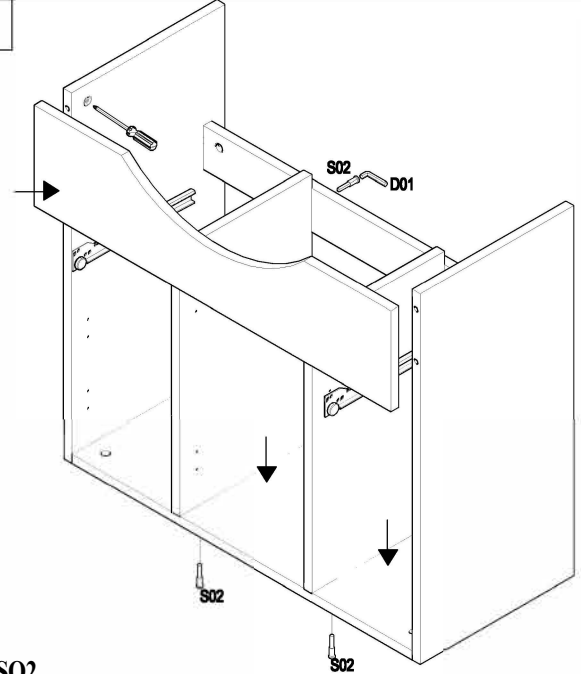
4.



5.



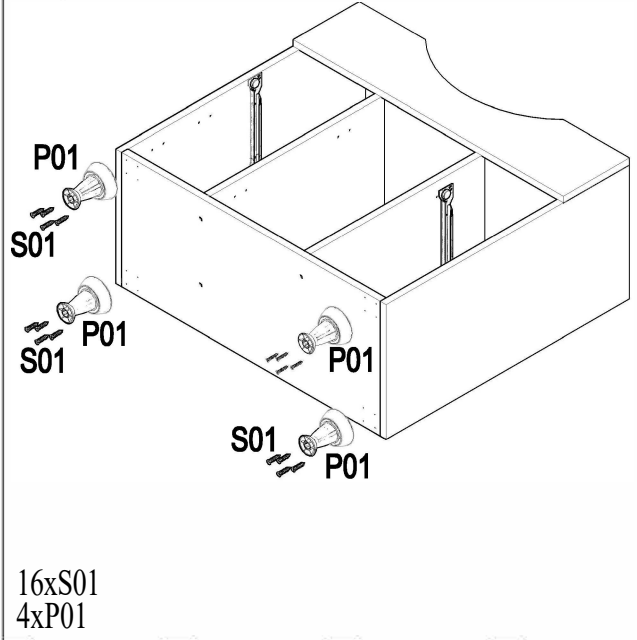
6.



4xC10

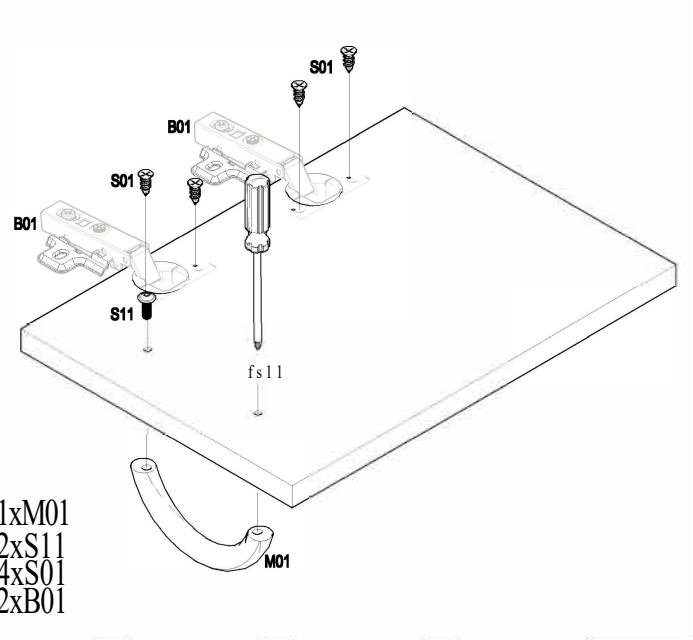
16XSQ2

7.

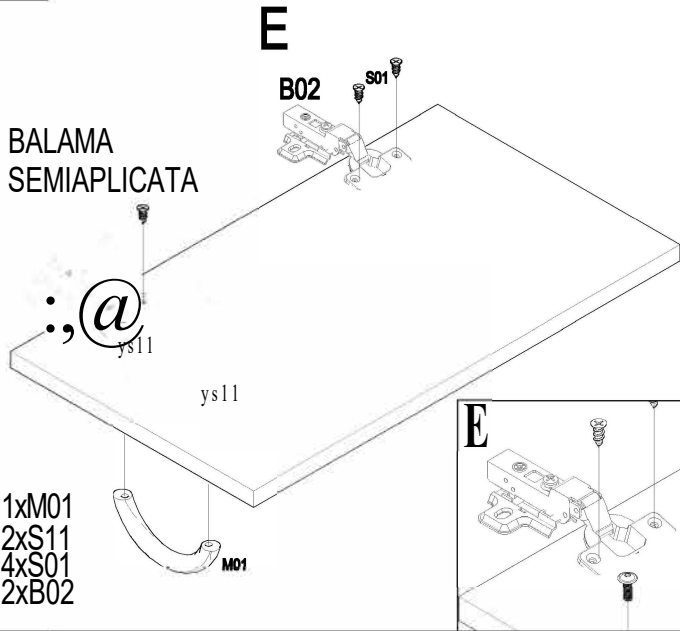


8.

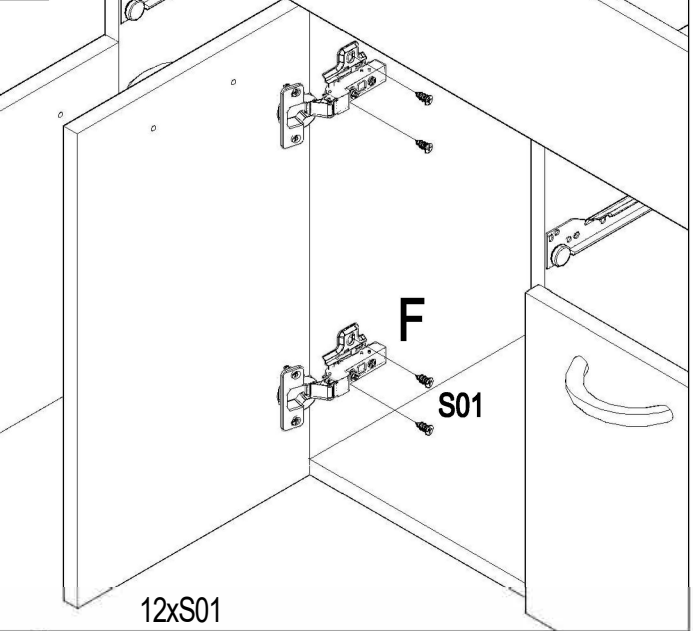
X-2



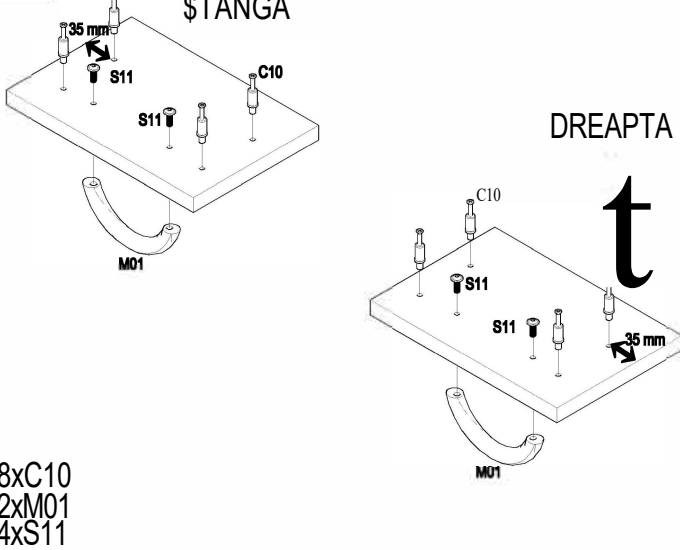
9.



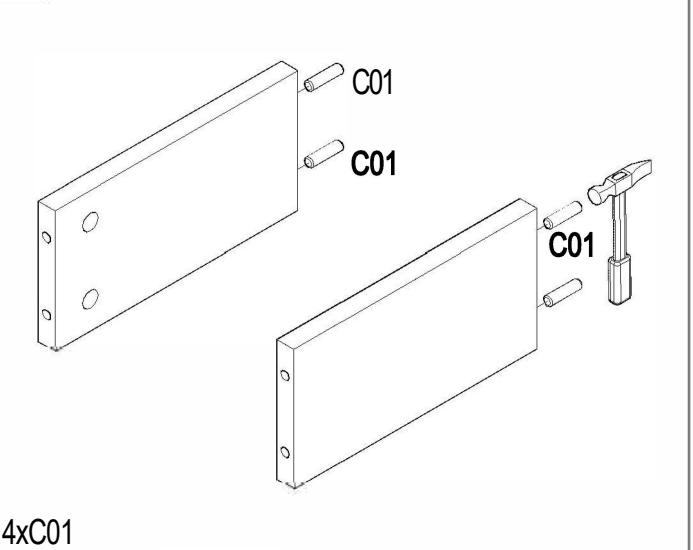
10.



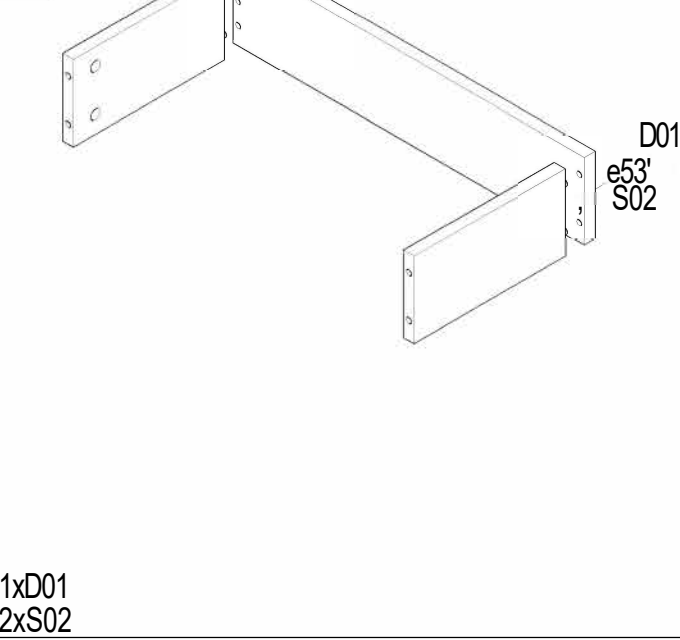
11.



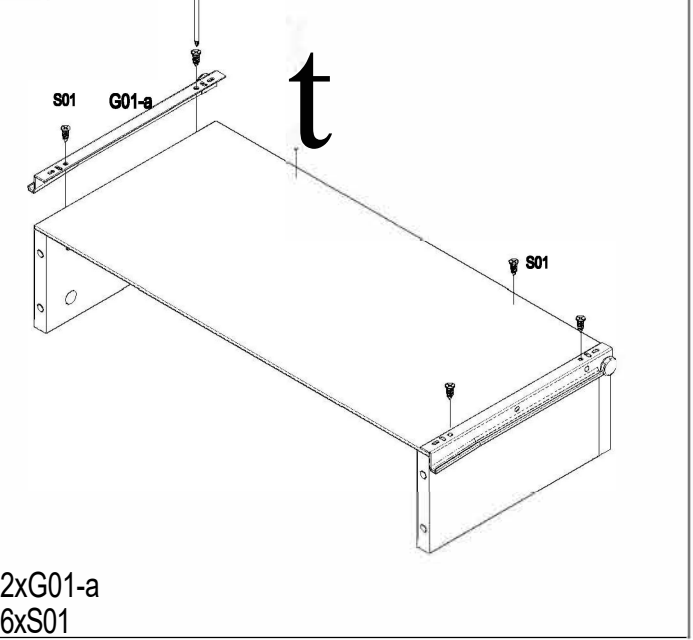
12. X 2



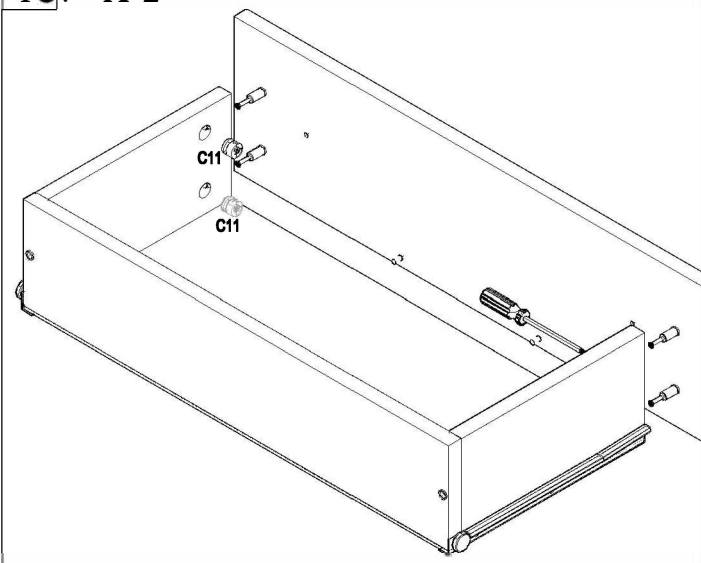
13. X2



14. X 2

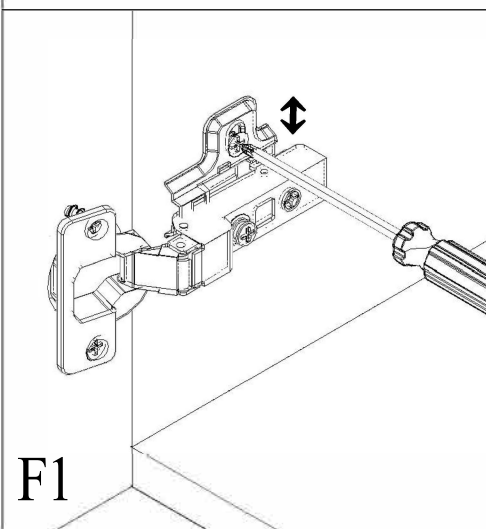
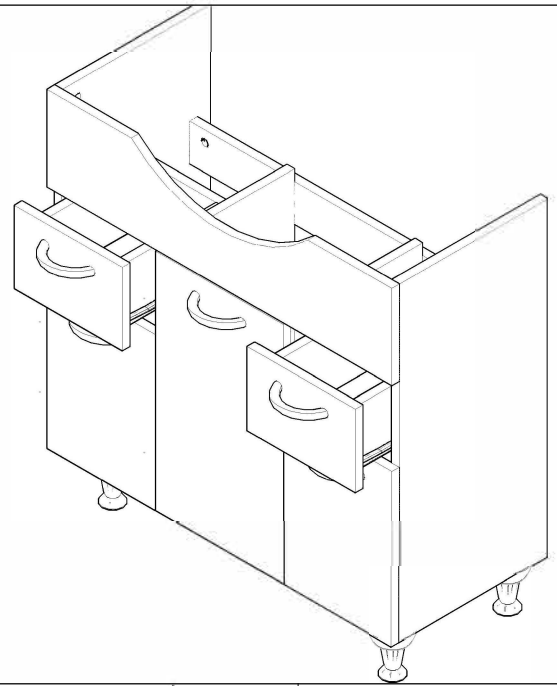


15. X 2



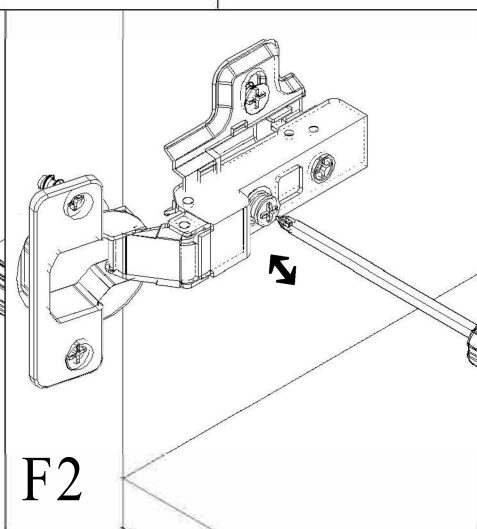
4xC11

16



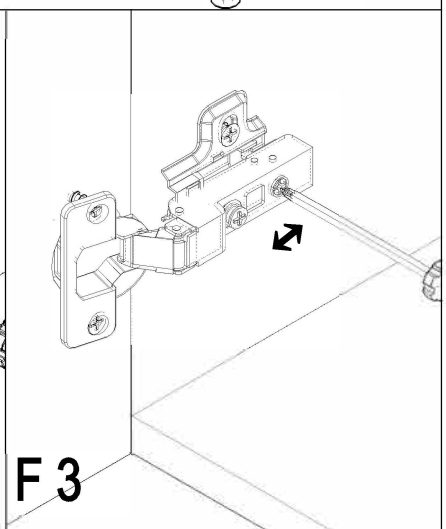
F1

HEIGHT ADJUSTMENT



F2




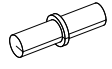


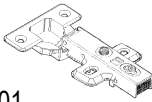


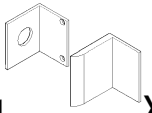
SIDE ADJUSTMENT

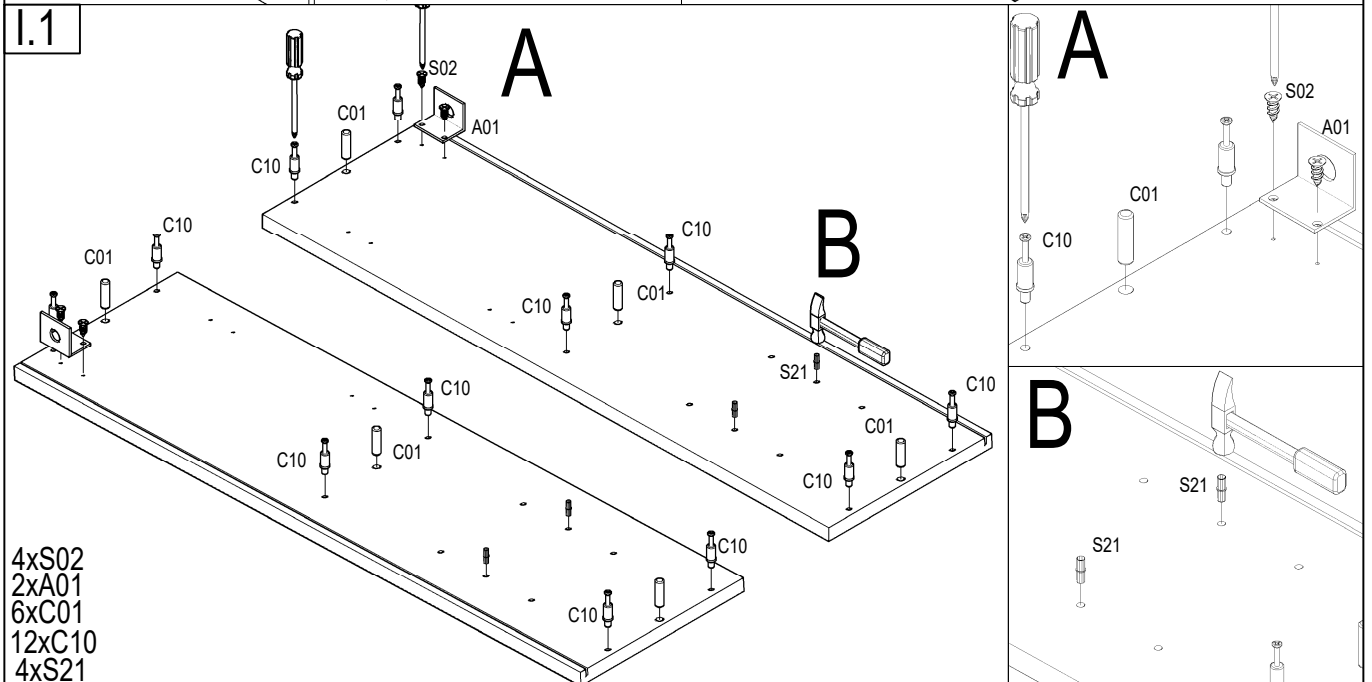
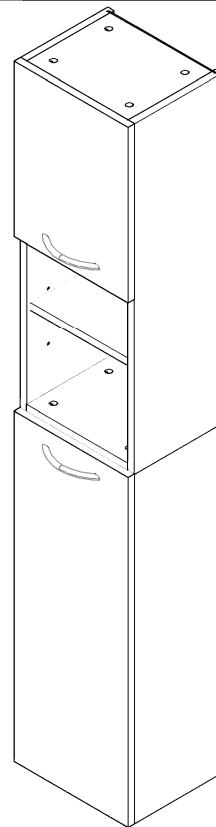
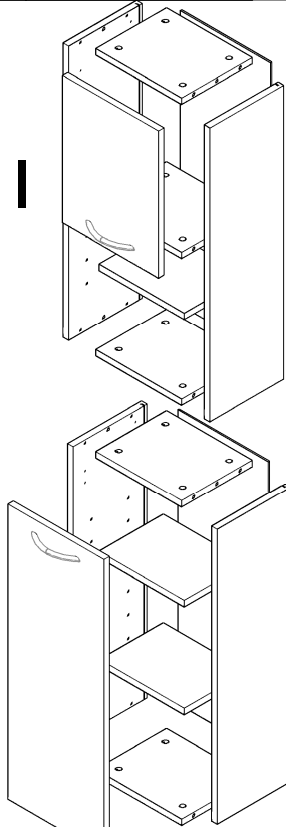


F3

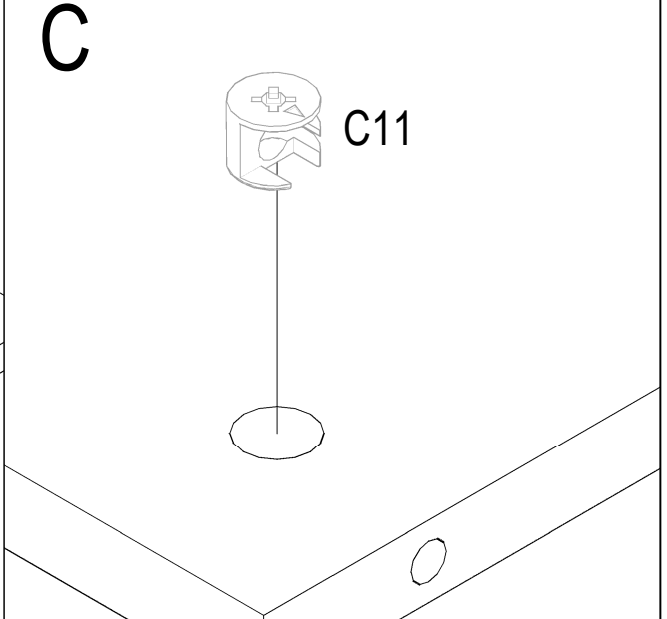
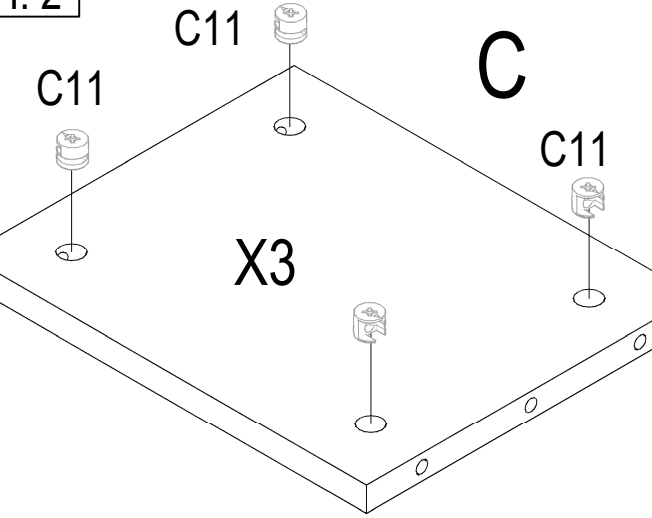
DEPTH ADJUSTMENT

NR.110

 3.5x16 S02	 M4x22 S11	 C01	 S21	 C10	 C11
x54	x4	x12	x12	x20	x20
 B01	 M01	 P01	 A01		
x4	x2	x4	x4		

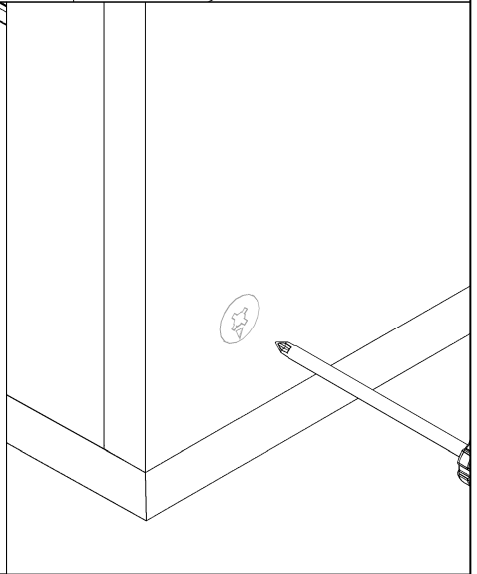
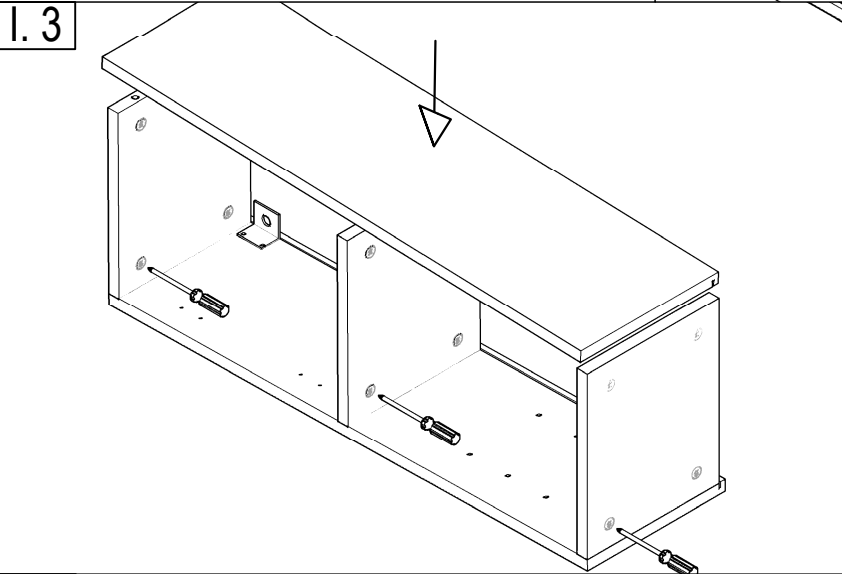


I. 2

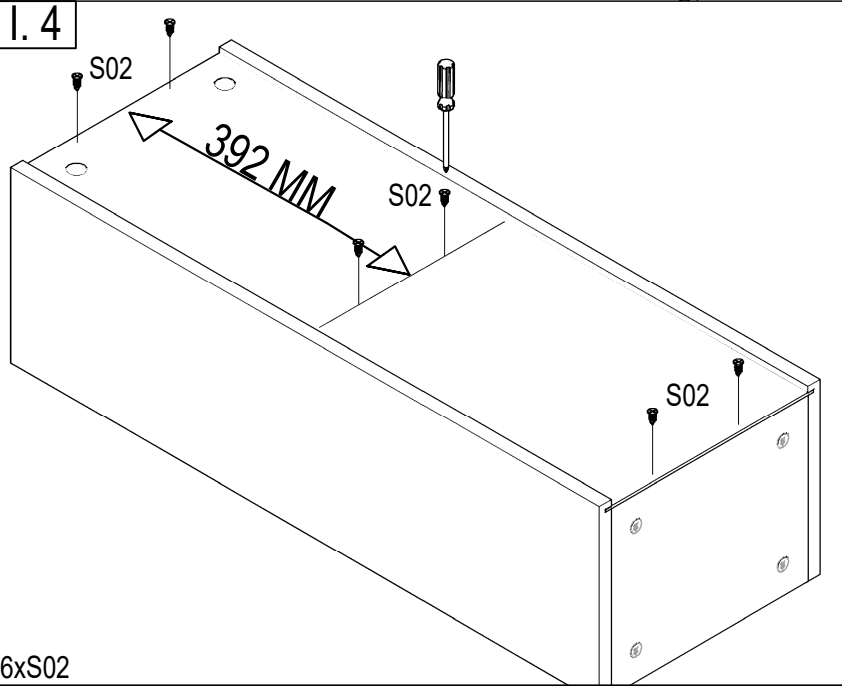


4 x C11

I. 3



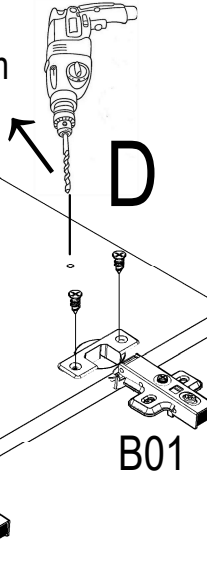
I. 4



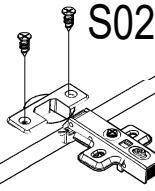
6xS02

I. 5

drill bit 5 mm



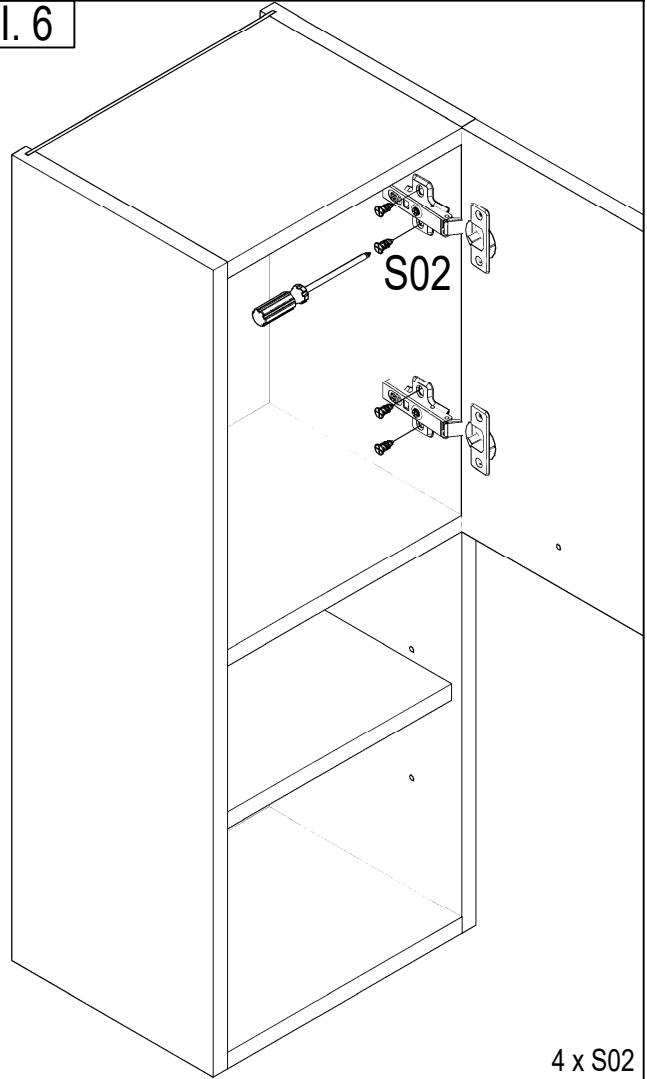
D



B01

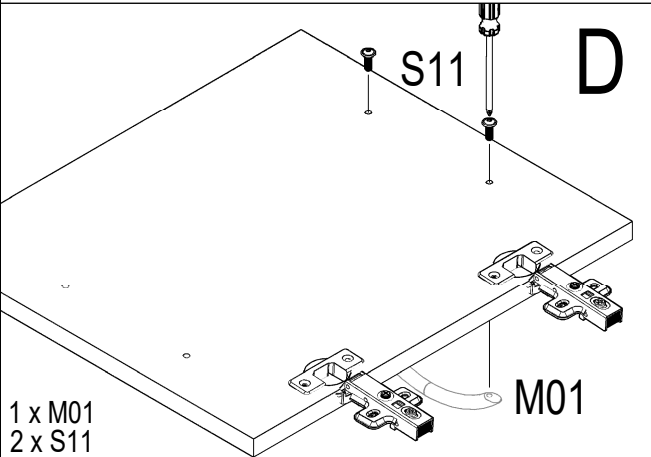
4 x S02
2 x B01

I. 6



S02

4 x S02



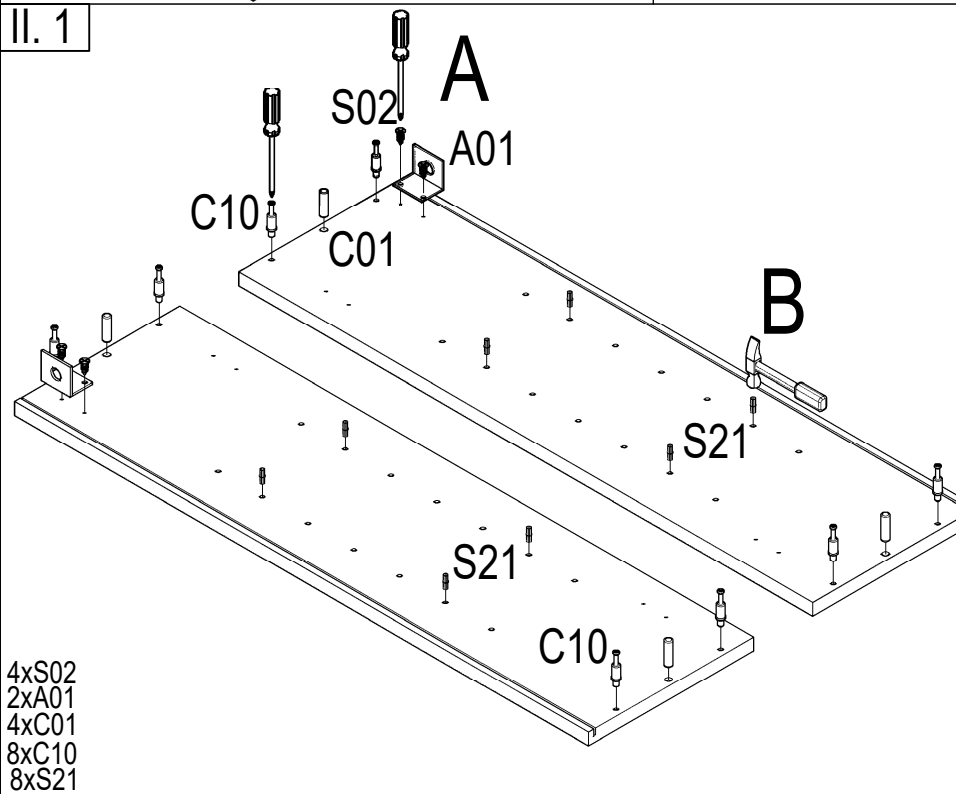
S11

D

M01

1 x M01
2 x S11

II. 1



A

S02

A01

C10

C01

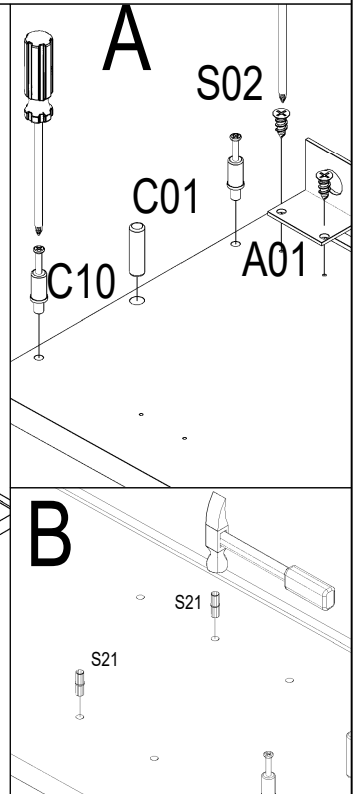
B

S21

S21

C10

4xS02
2xA01
4xC01
8xC10
8xS21



A

S02

A01

C01

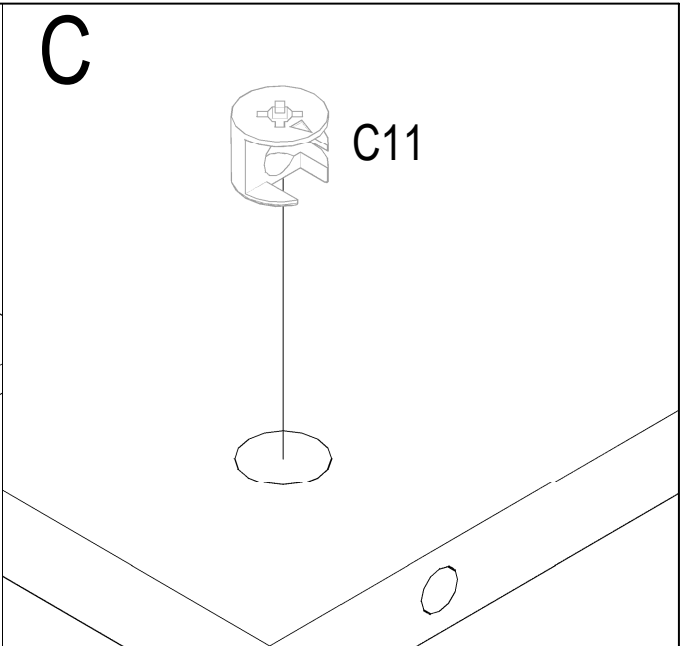
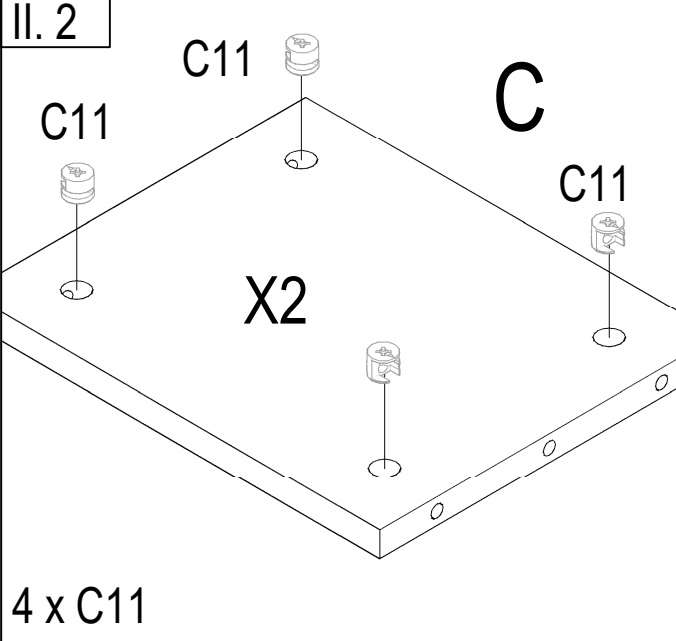
C10

B

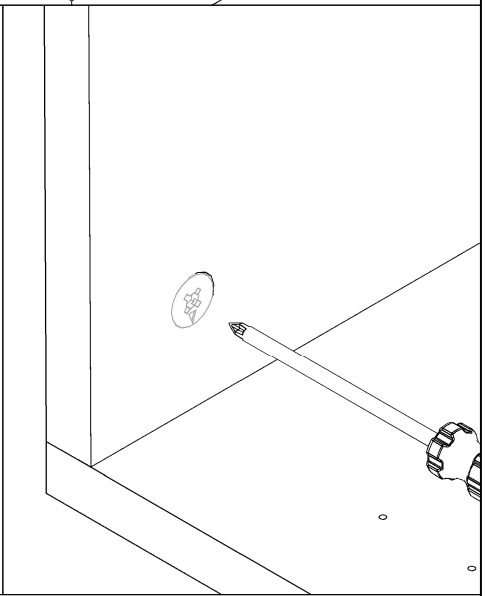
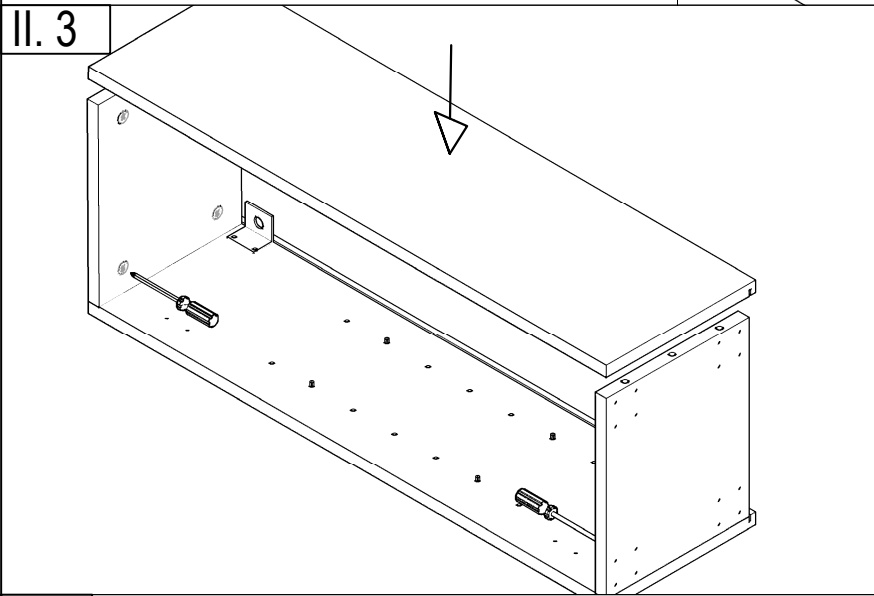
S21

S21

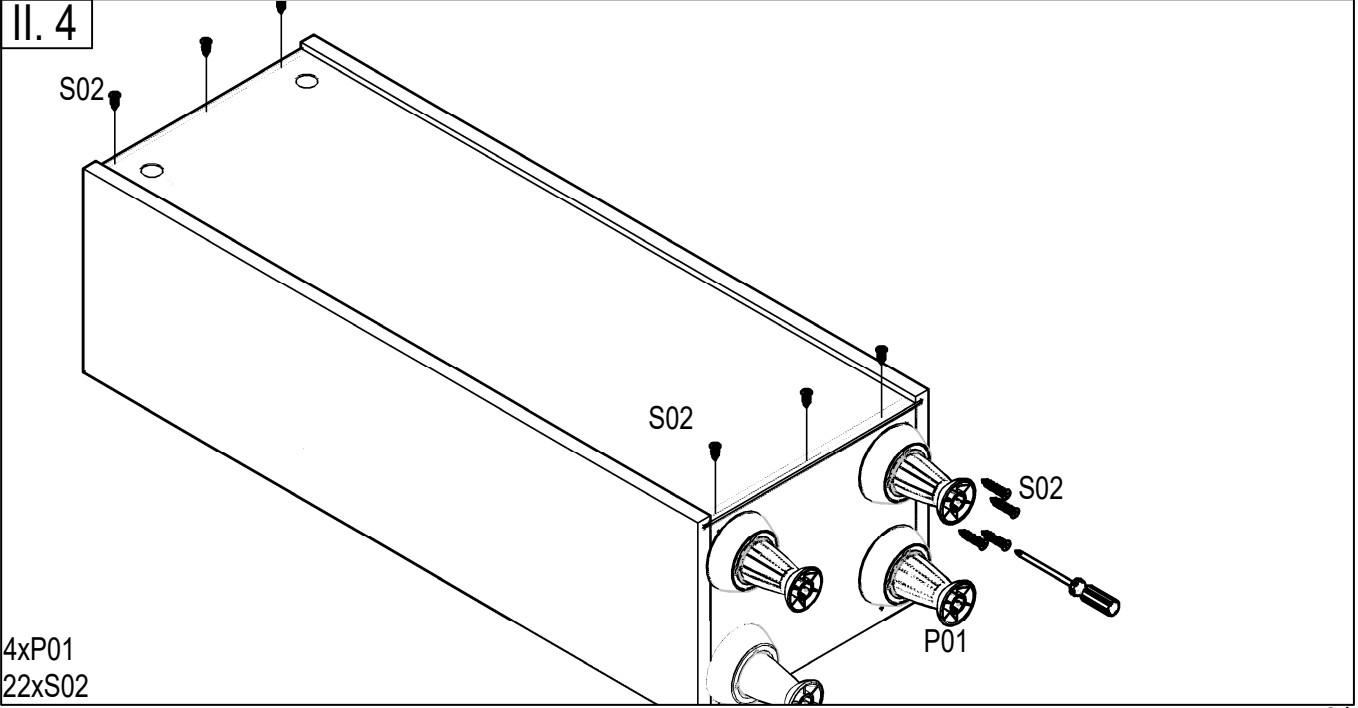
II. 2



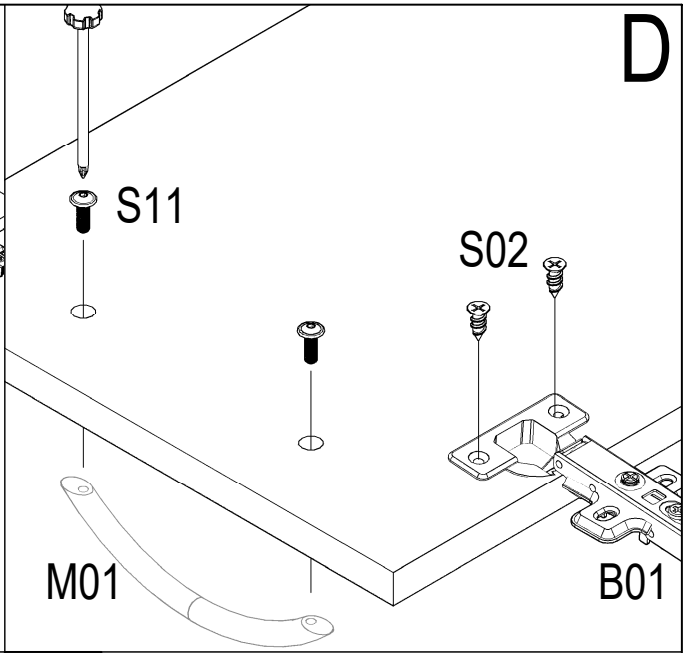
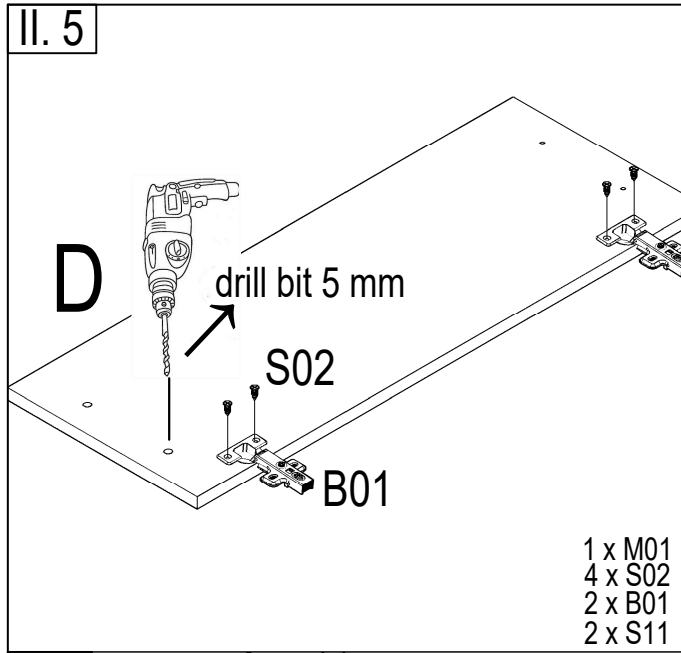
II. 3



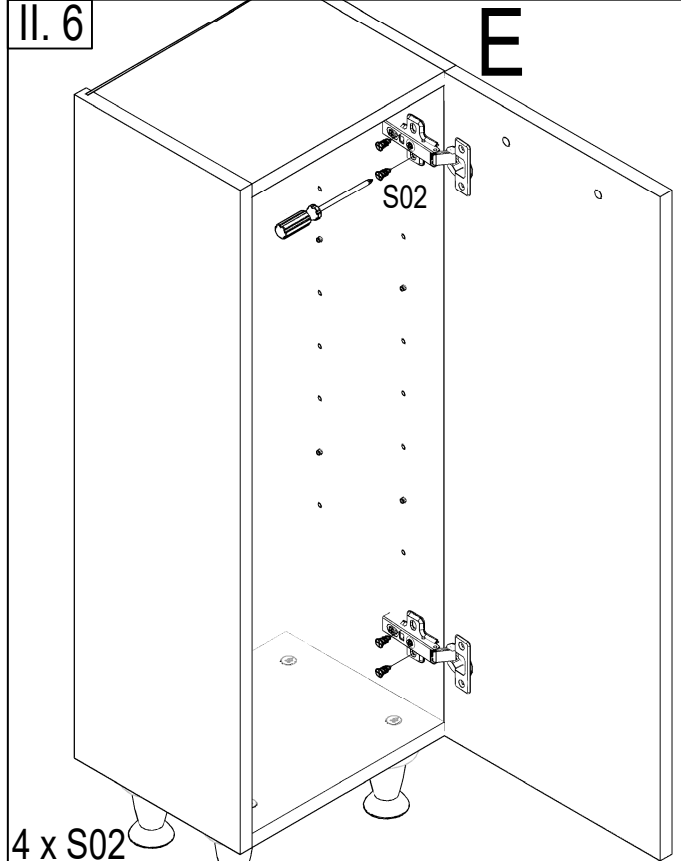
II. 4



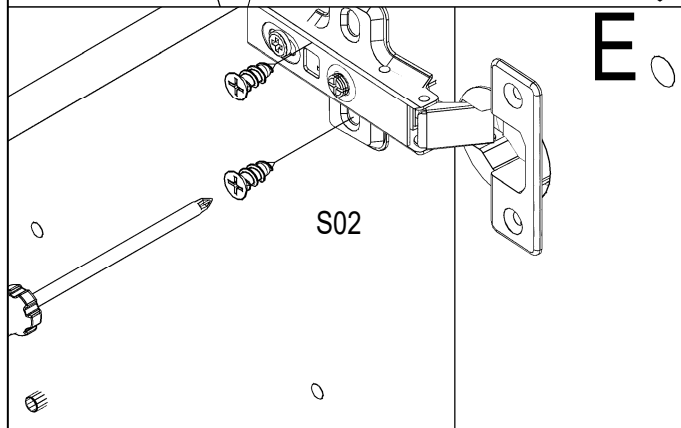
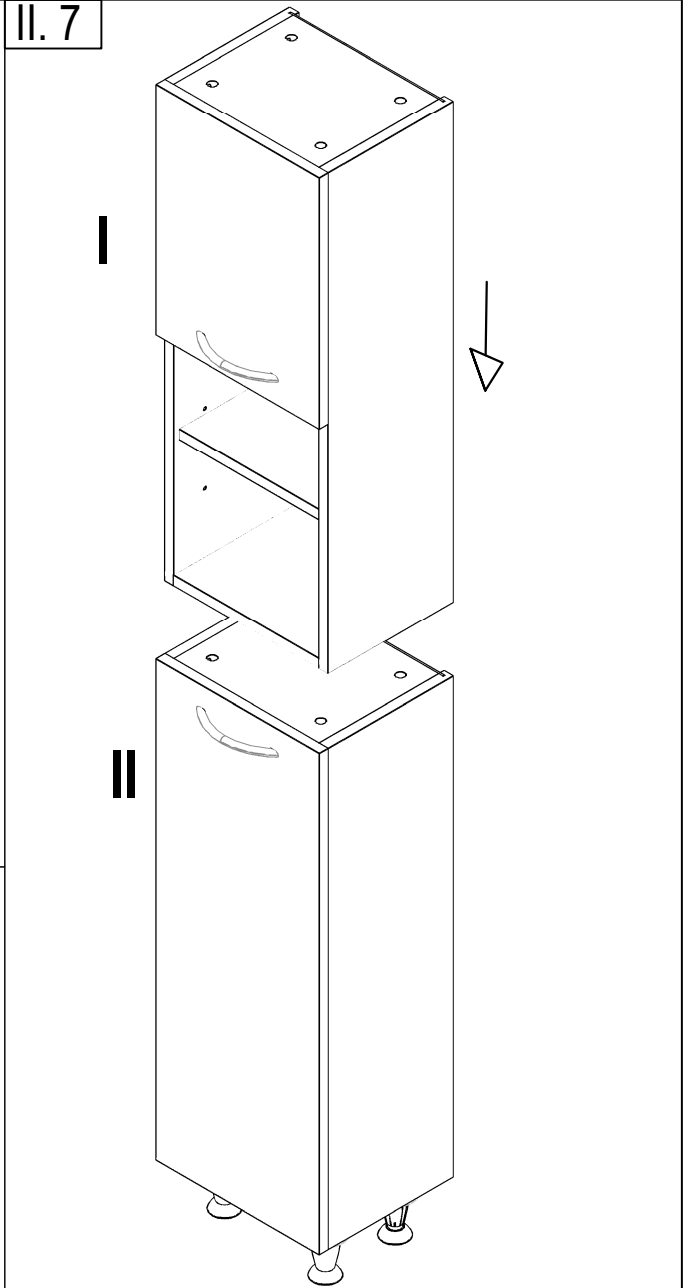
II. 5

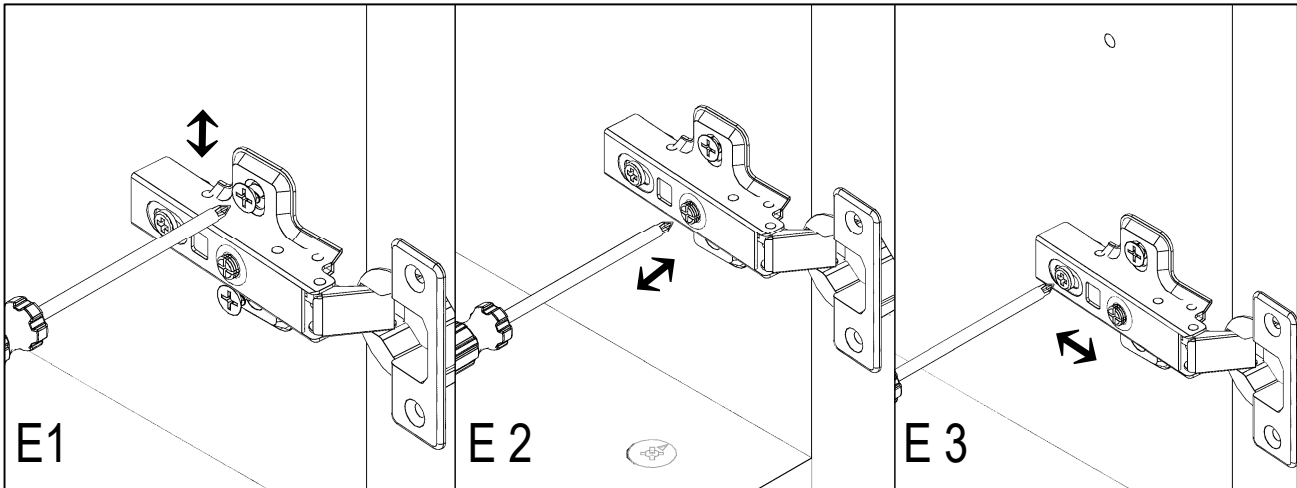


II. 6



II. 7





E1

E2

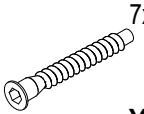




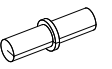
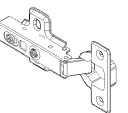



E3

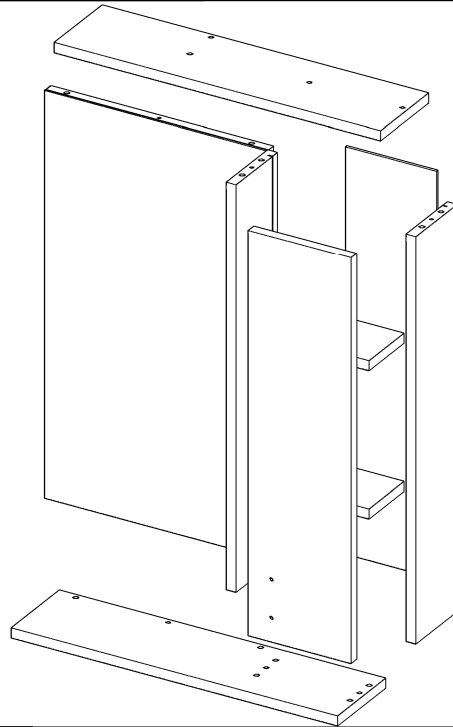
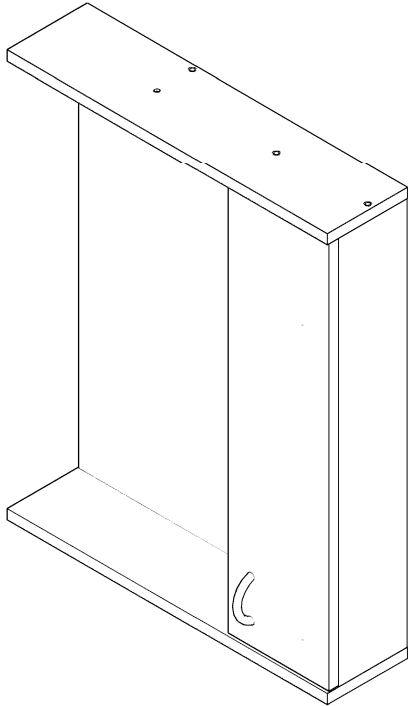
HEIGHT ADJUSTMENT

SIDE ADJUSTMENT

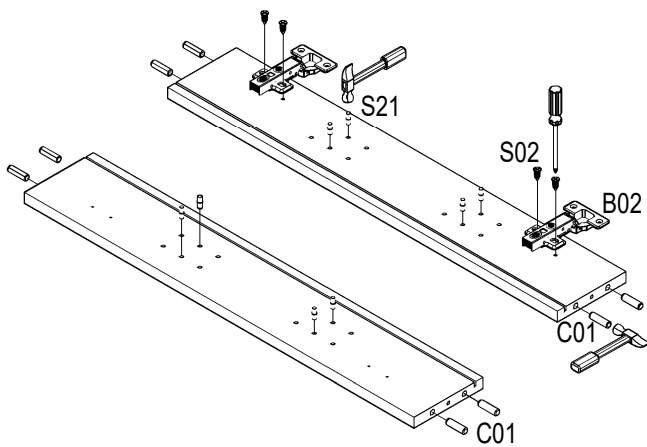
DEPTH ADJUSTMENT

NR.1

 7x50 S01 x6	 3.5x16 S02 x8	 M4x22 S11 x2	 C01 x12	 D01 x1	 S21 x8
 B01 x2	 M01 x1	 A04 x2	 D04 x1		

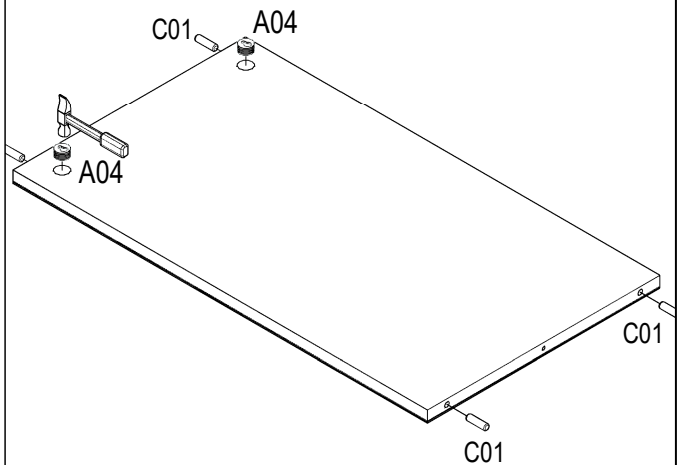


1.



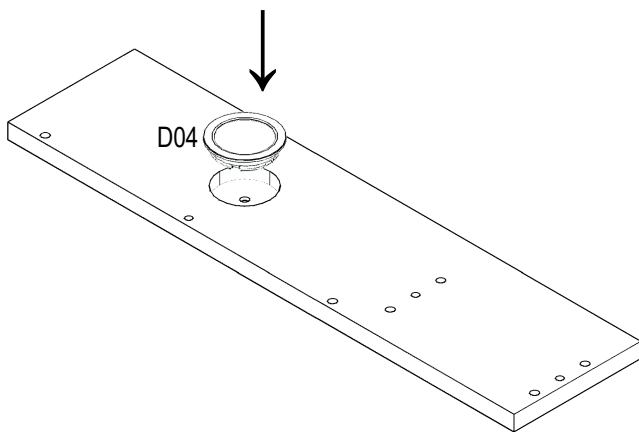
8xC01
 8xS21
 2xB02
 4xS02

2.



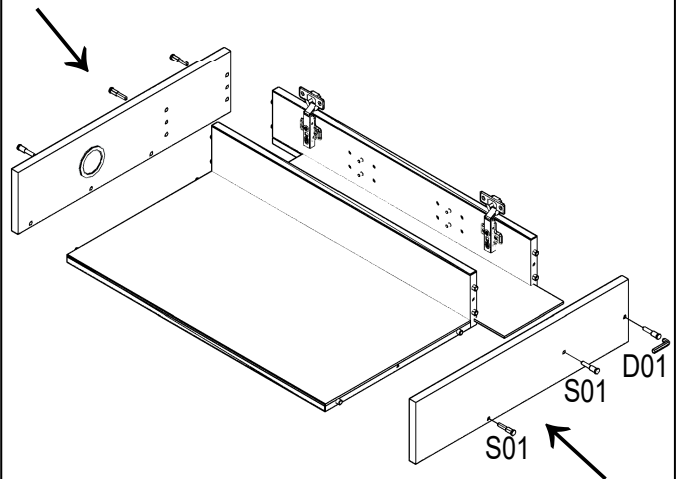
2xA04
 4xC01

3.



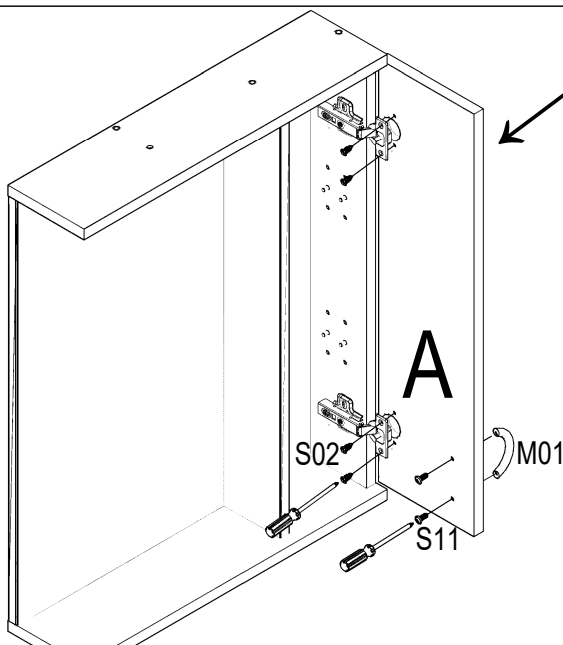
1xD04

4.

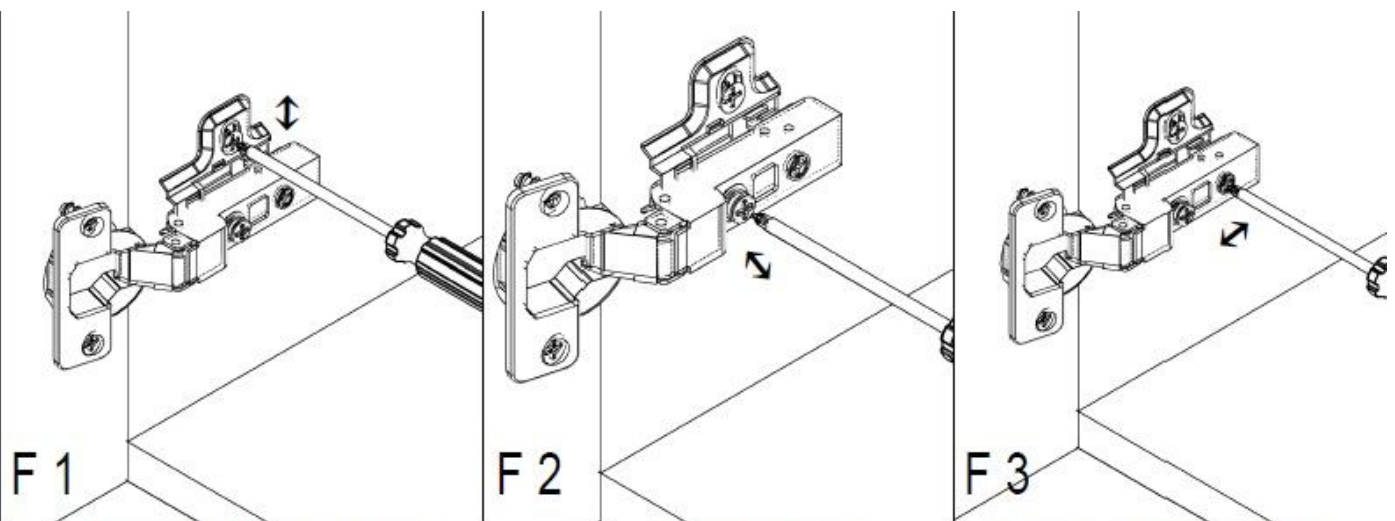
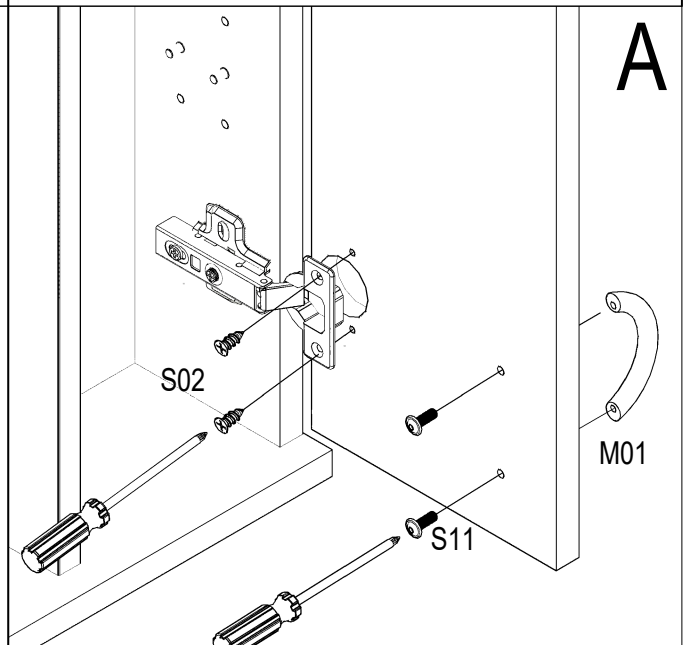


6xS01
1xD01

5.



1xM01
2xS11
4xS02



F 1

F 2

F 3

HEIGHT ADJUSTMENT

SIDE ADJUSTMENT

DEPTH ADJUSTMENT