





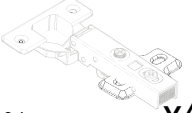

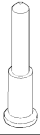
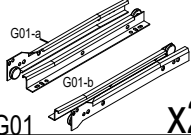
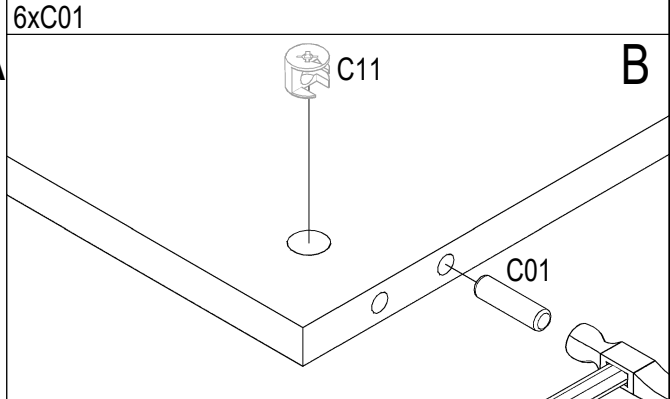
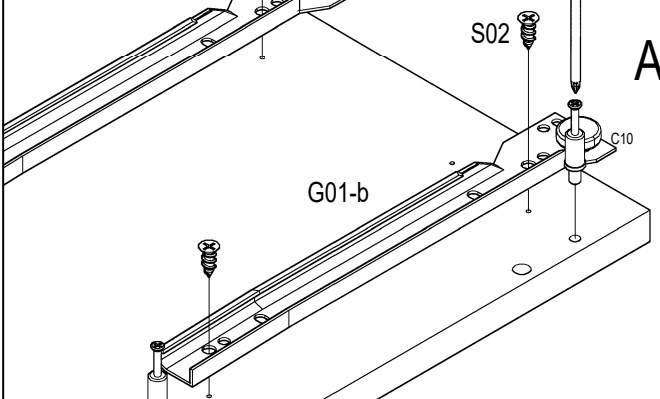
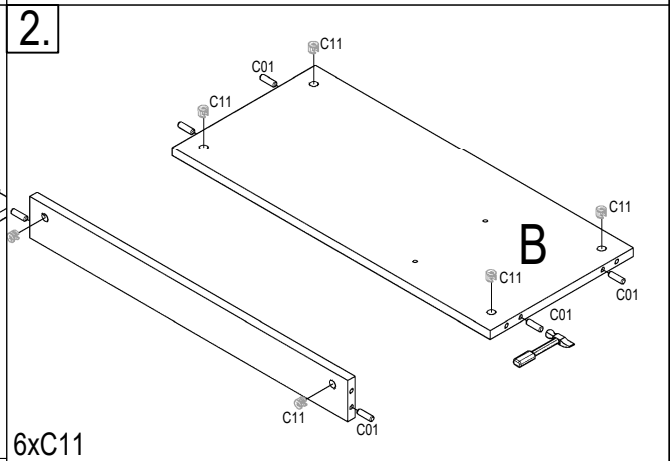
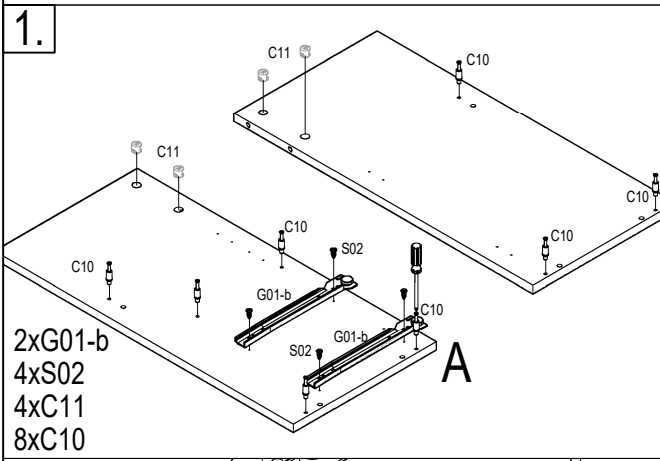
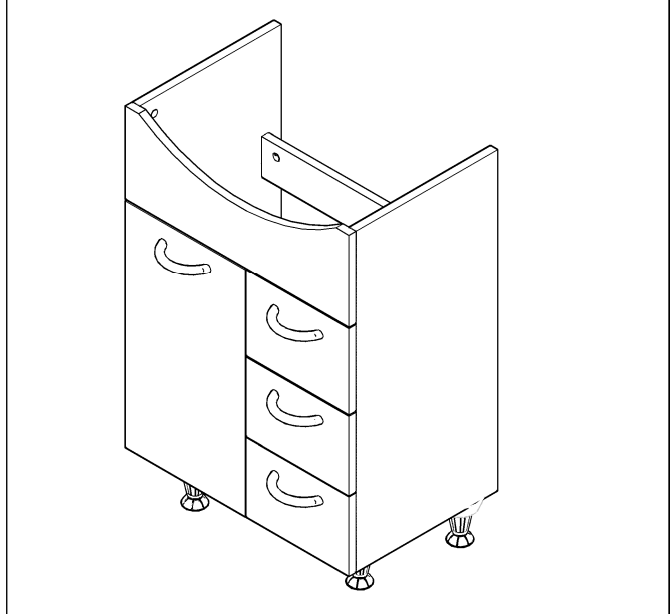
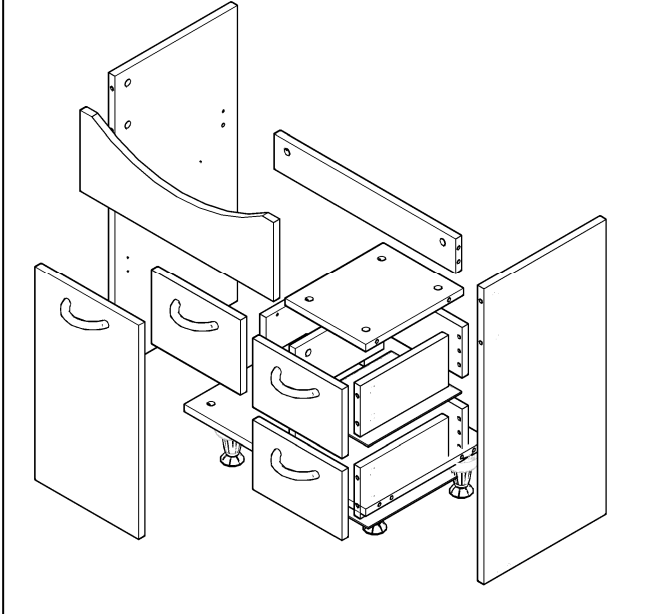
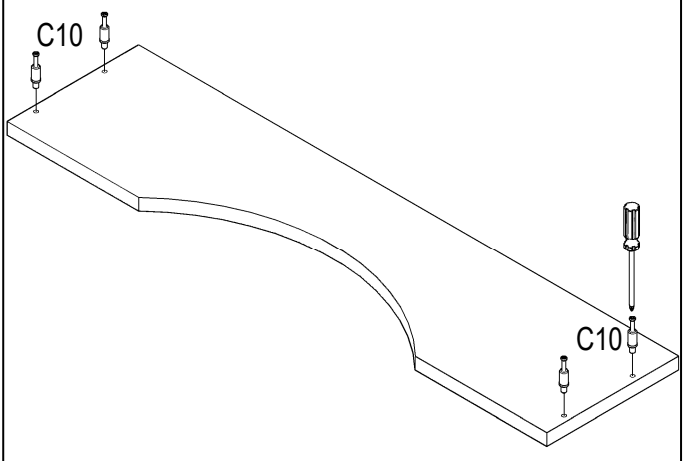


# NR.25

 <b>S02</b> <b>x52</b>	 <b>S11</b> <b>x8</b>	 <b>C01</b> <b>x14</b>	 <b>C10</b> <b>x22</b>	 <b>C11</b> <b>x22</b>	 <b>P01</b> <b>x4</b>
 <b>B01</b> <b>x4</b>	 <b>M01</b> <b>x4</b>	 <b>S01</b> <b>x6</b>	 <b>G01</b> <b>x2</b>		

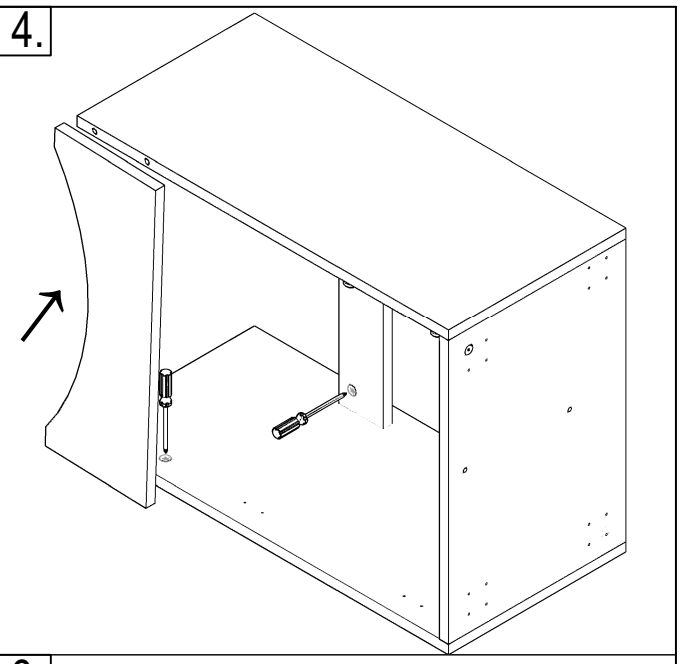


3.

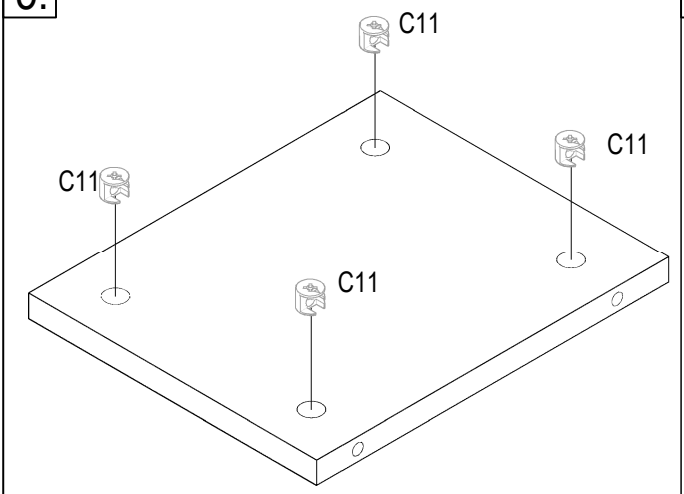


4xC10

4.

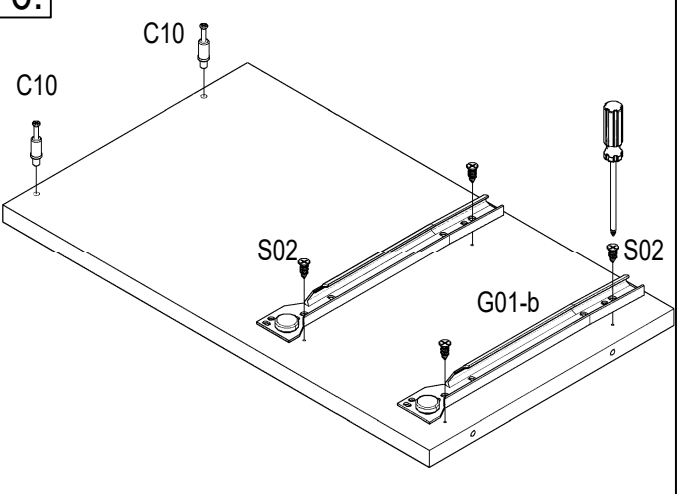


5.



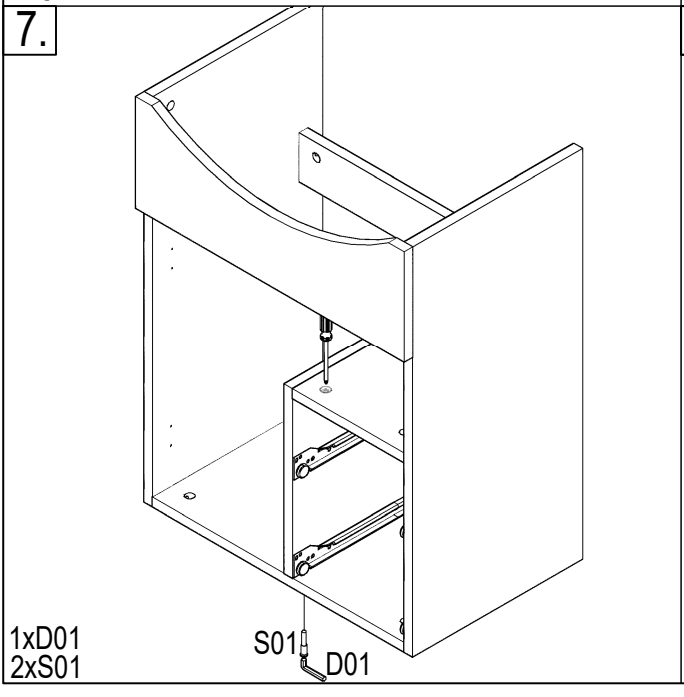
4xC11

6.



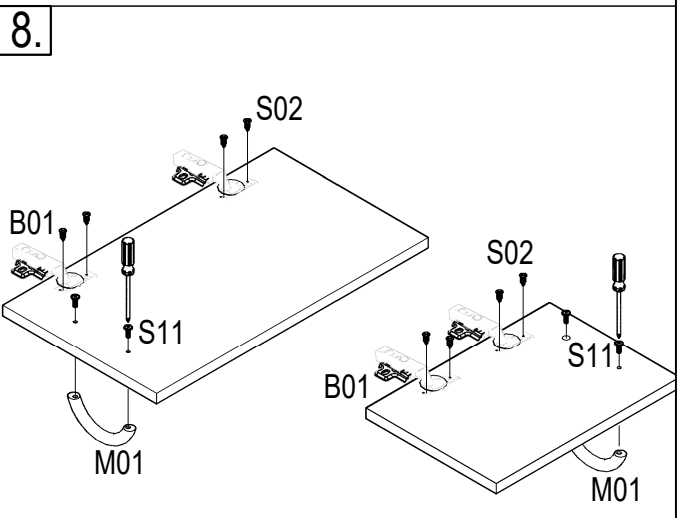
2xC10  
2xG01-b  
4xS02

7.



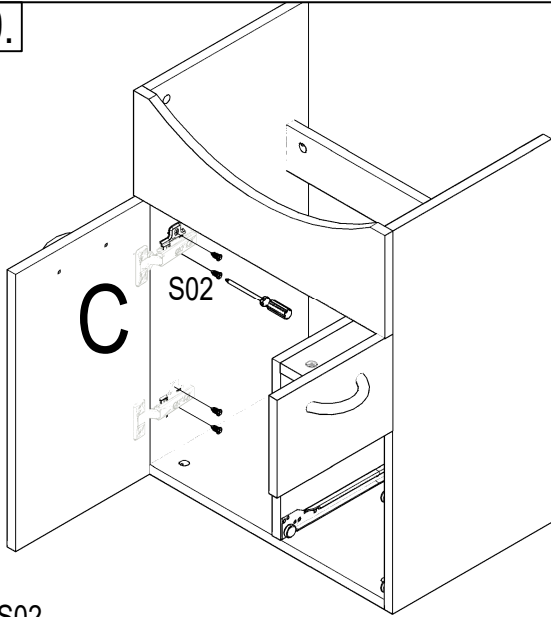
1xD01  
2xS01

8.

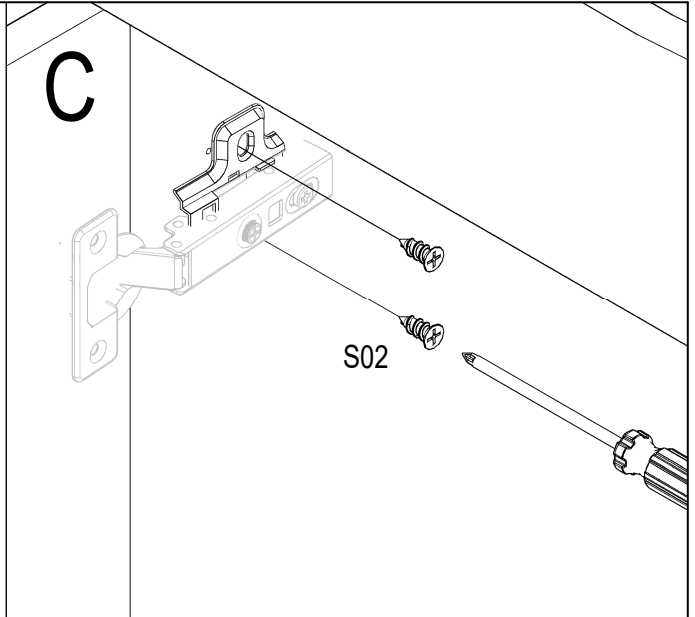


2xM01  
4xS11  
8xS02  
4xB01

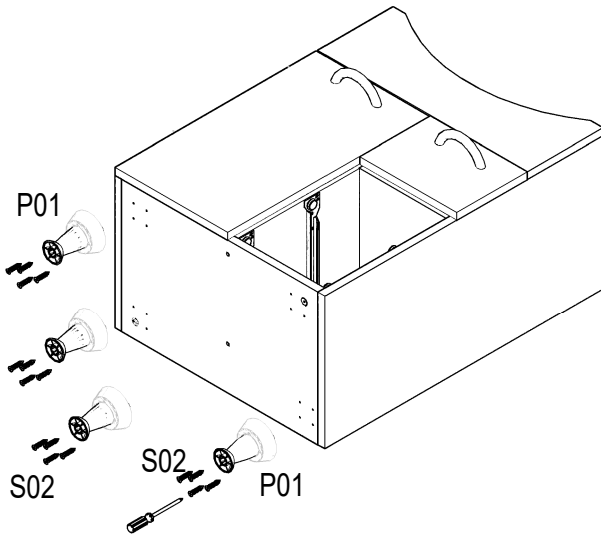
9.



8xS02



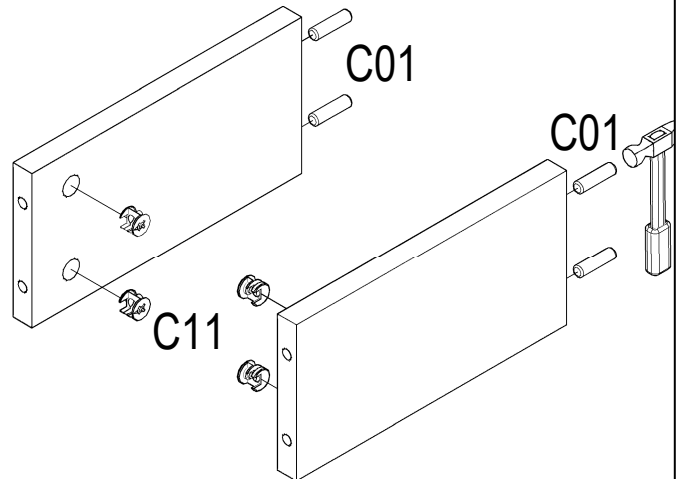
10



16xS02  
4xP01

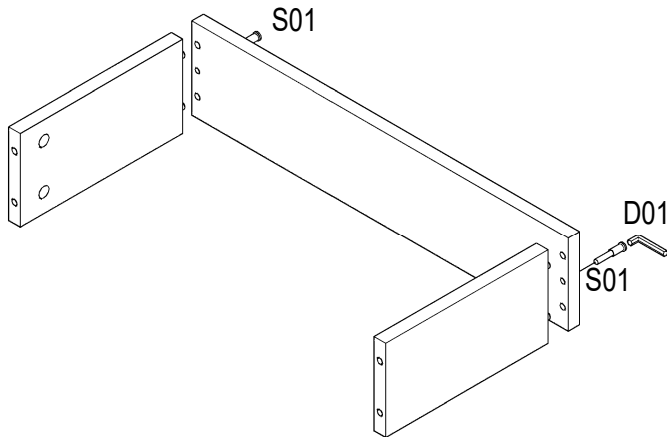
11

X 2



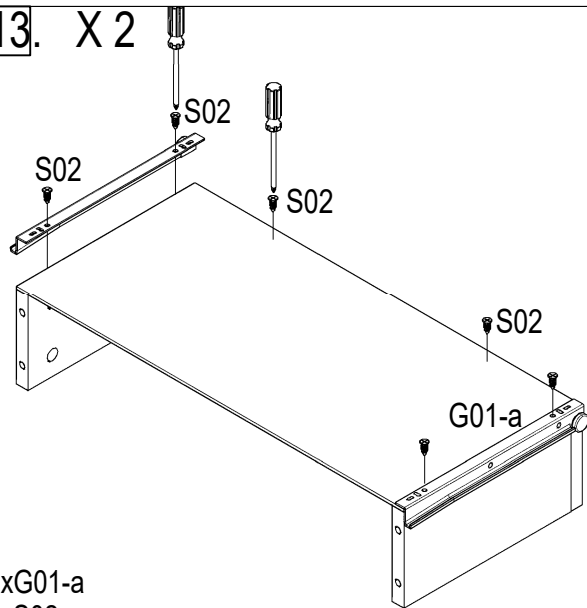
4xC11  
4xC01

12. X 2



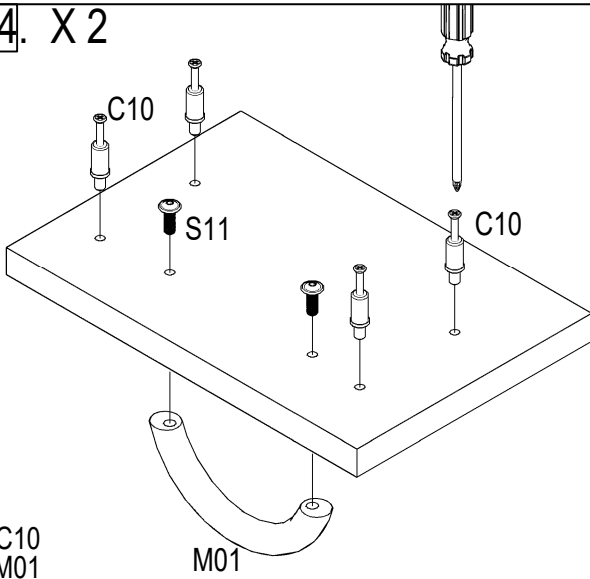
1xD01  
2xS01

13. X 2



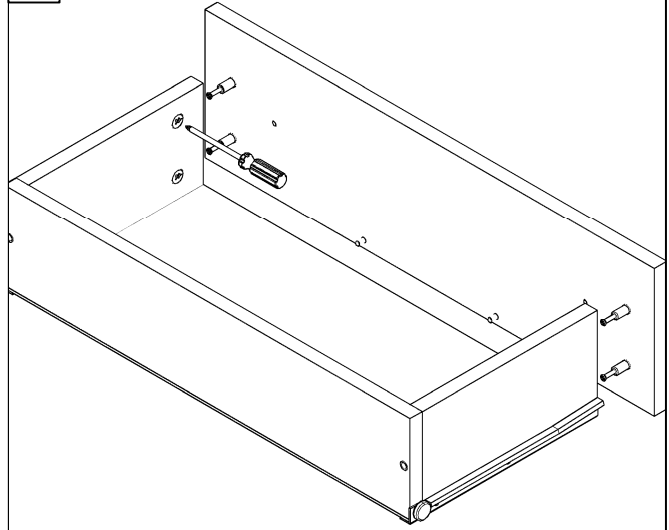
2xG01-a  
6xS02

14. X 2

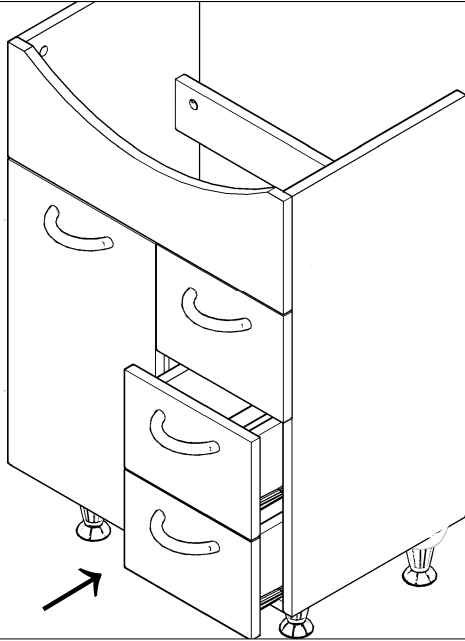


4xC10  
1xM01  
2xS11




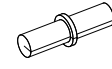


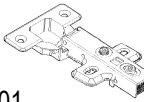
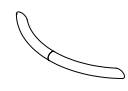

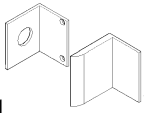
15. X 2

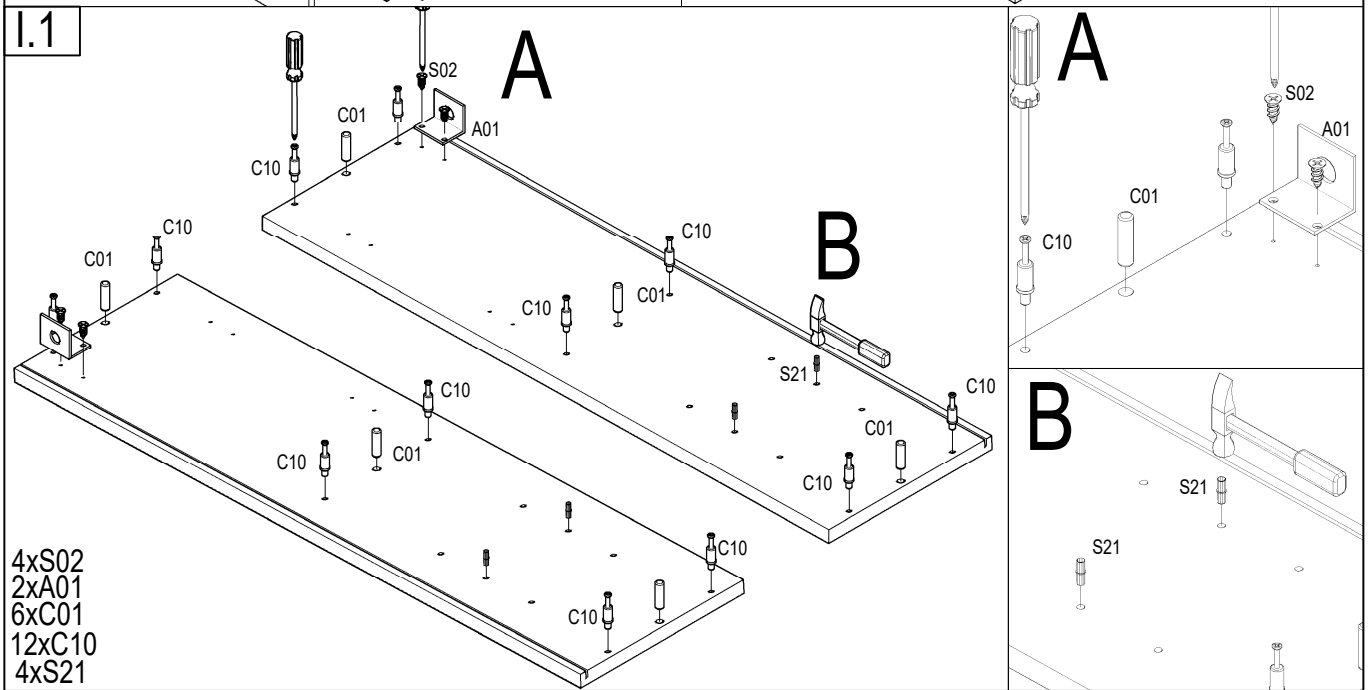
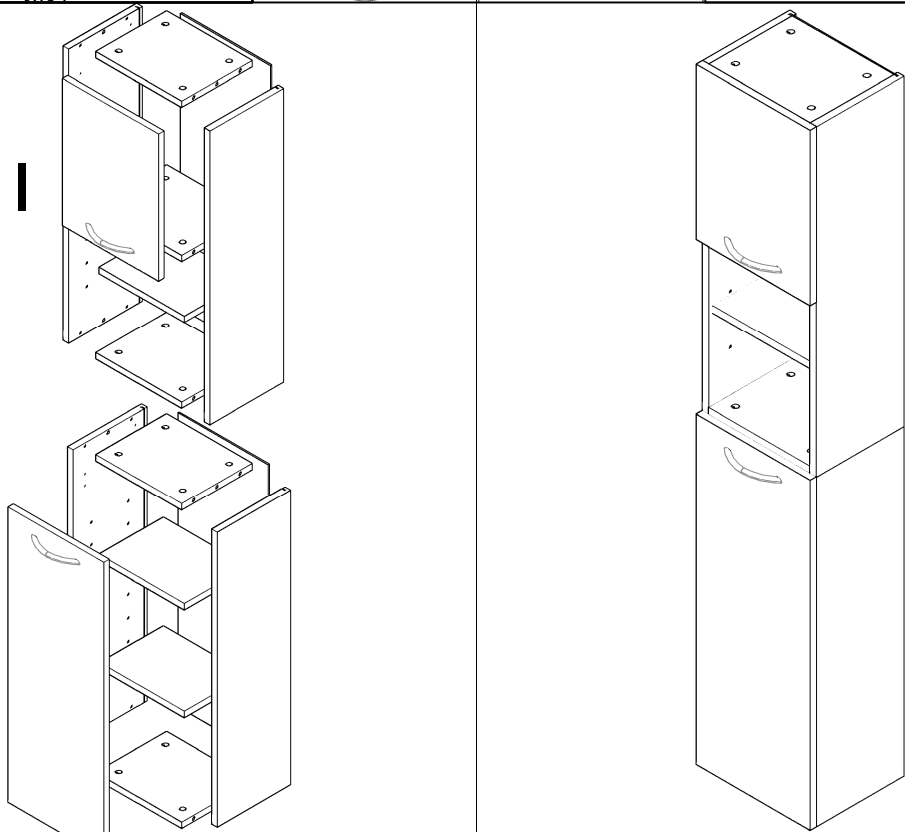


16

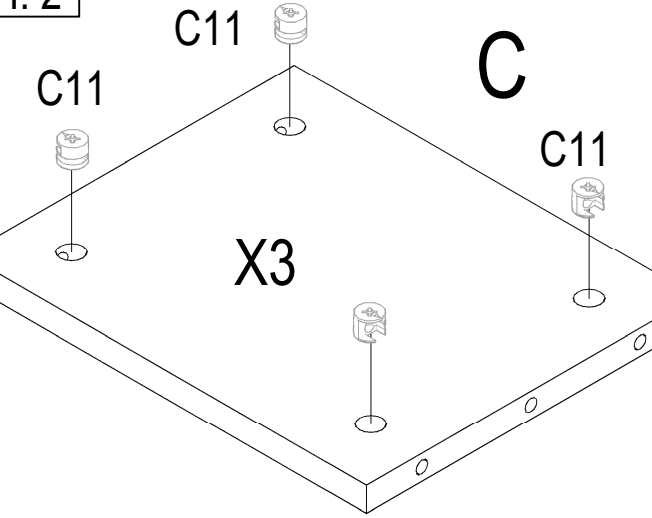


# NR.110

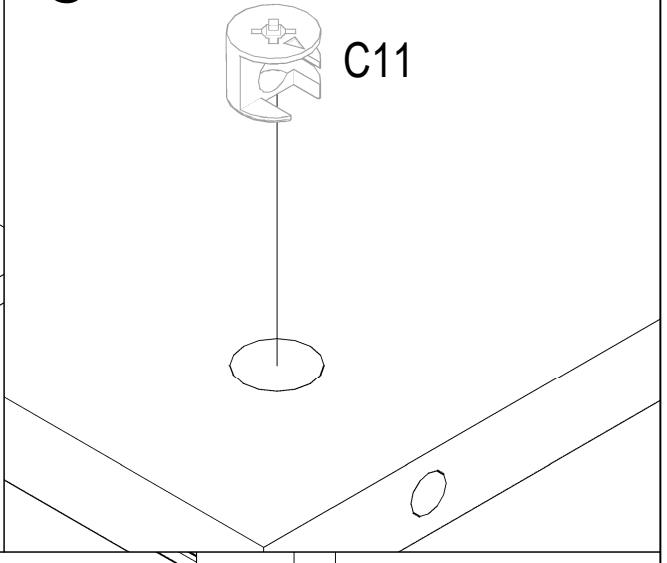
 3.5x16 S02	 M4x22 S11	 C01	 S21	 C10	 C11
<b>x54</b>	<b>x4</b>	<b>x12</b>	<b>x12</b>	<b>x20</b>	<b>x20</b>
 B01	 M01	 P01	 A01		
<b>x4</b>	<b>x2</b>	<b>x4</b>	<b>x4</b>		



I. 2

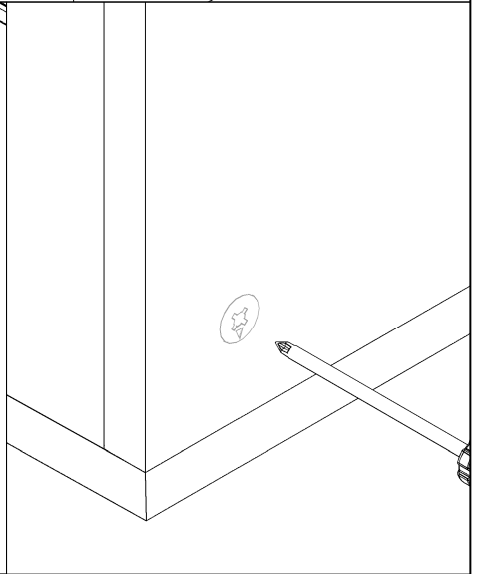
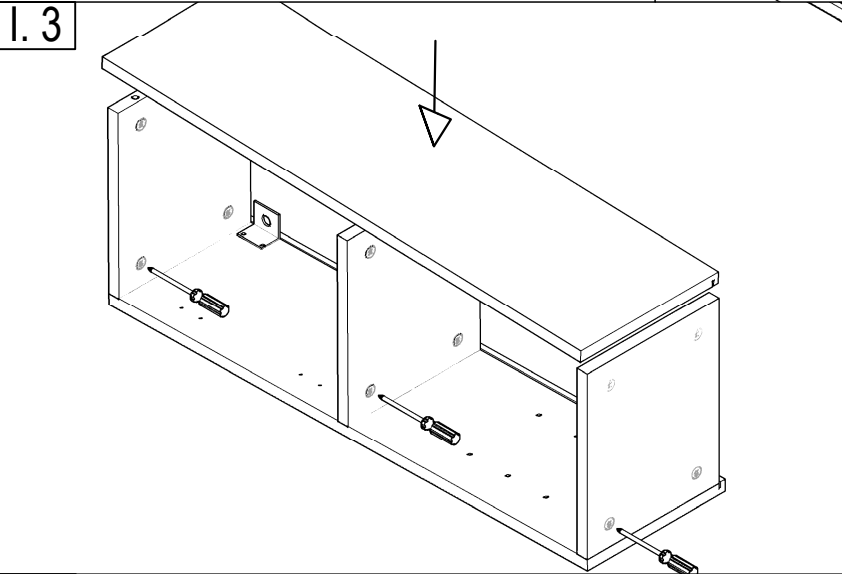


C

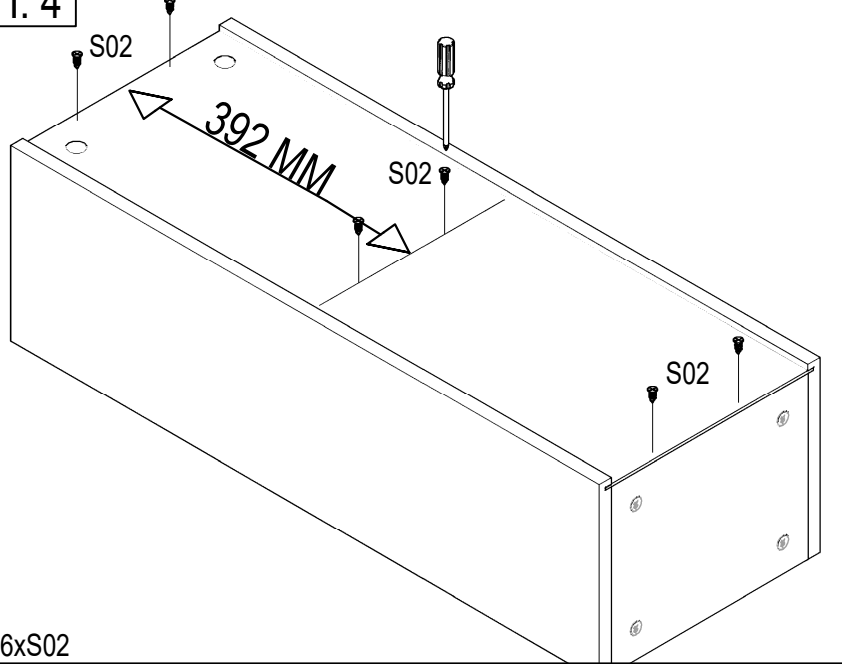


4 x C11

I. 3



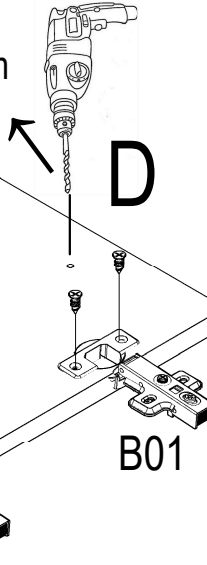
I. 4



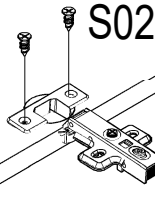
6xS02

I. 5

drill bit 5 mm



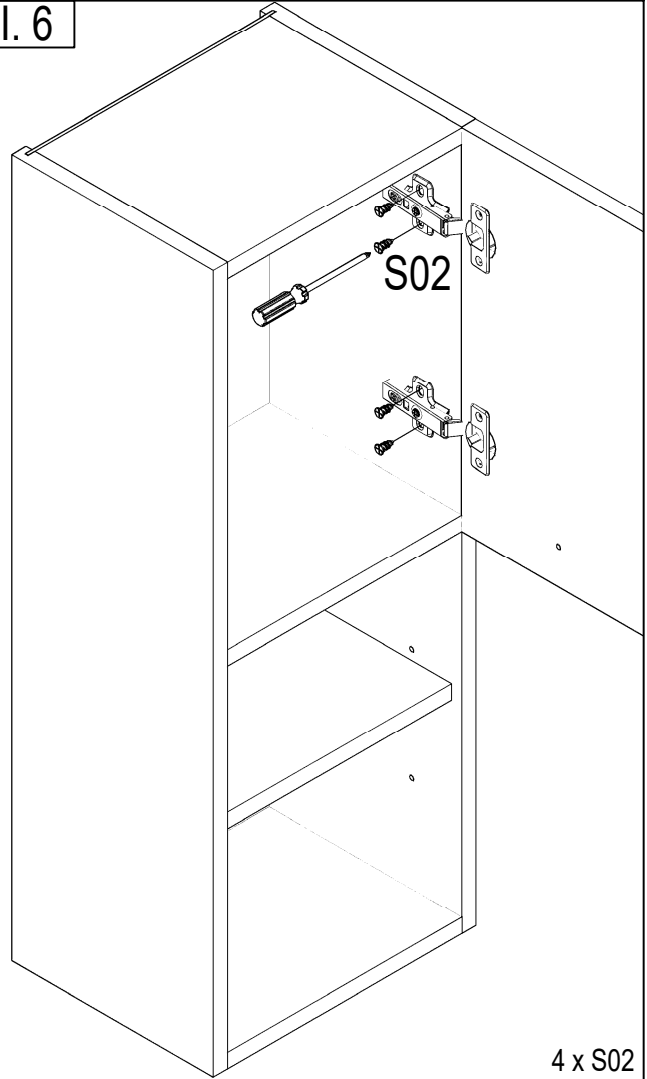
D



B01

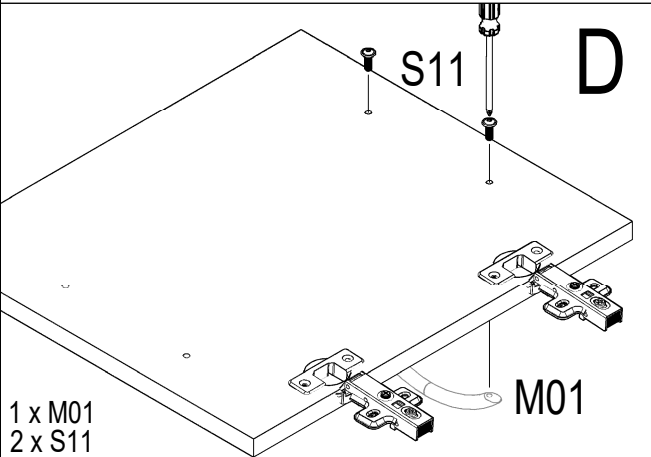
4 x S02  
2 x B01

I. 6



S02

4 x S02



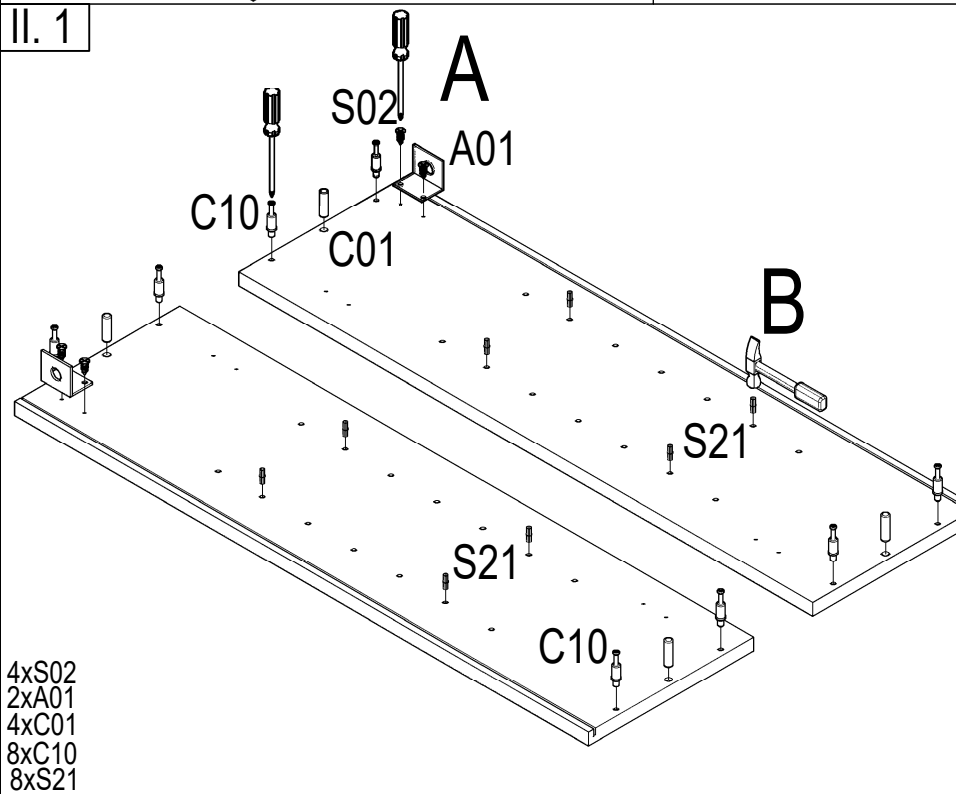
S11

D

M01

1 x M01  
2 x S11

II. 1



A

S02

A01

C10

C01

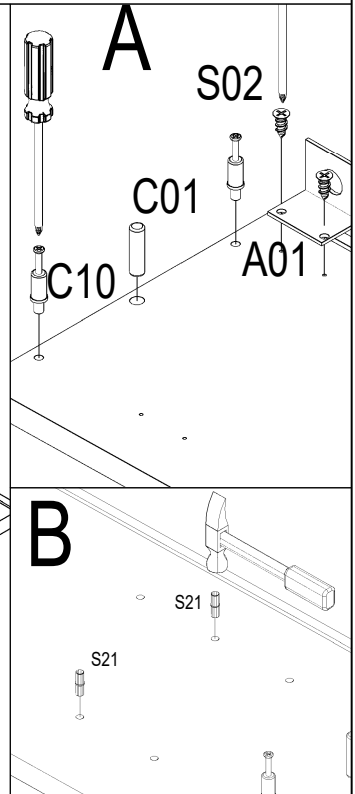
B

S21

S21

C10

4xS02  
2xA01  
4xC01  
8xC10  
8xS21



A

S02

C01

A01

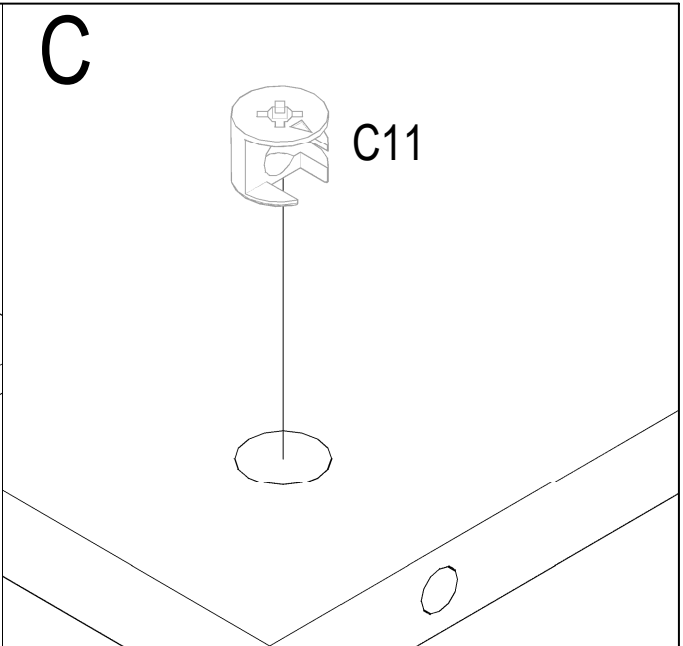
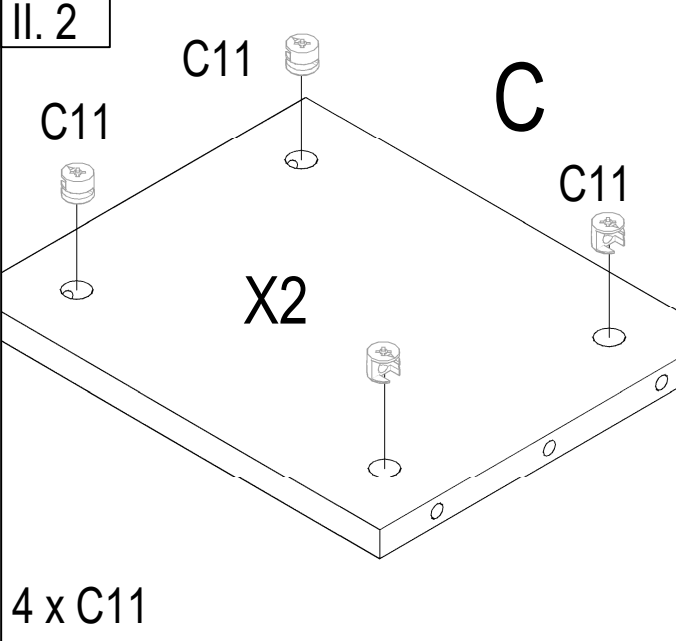
C10

B

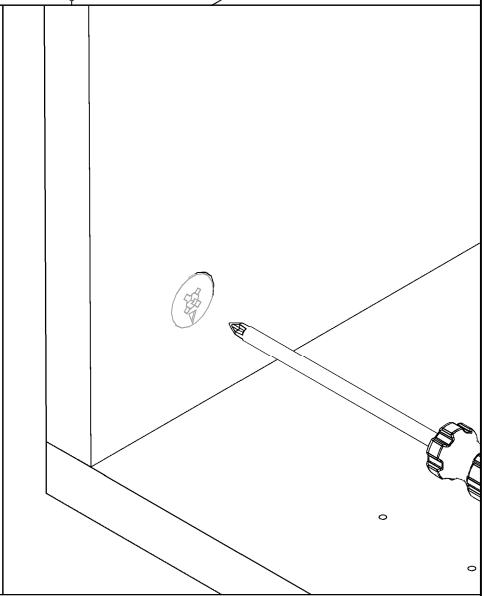
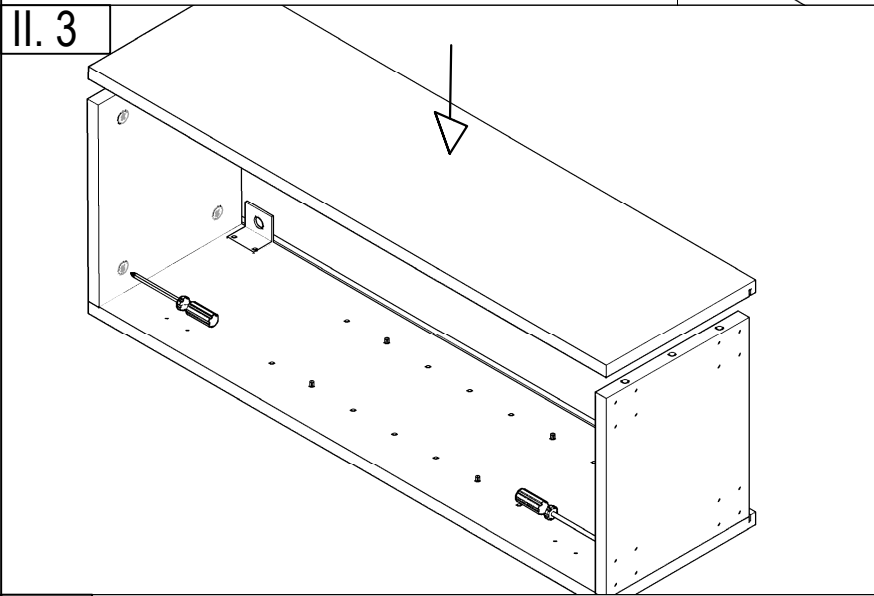
S21

S21

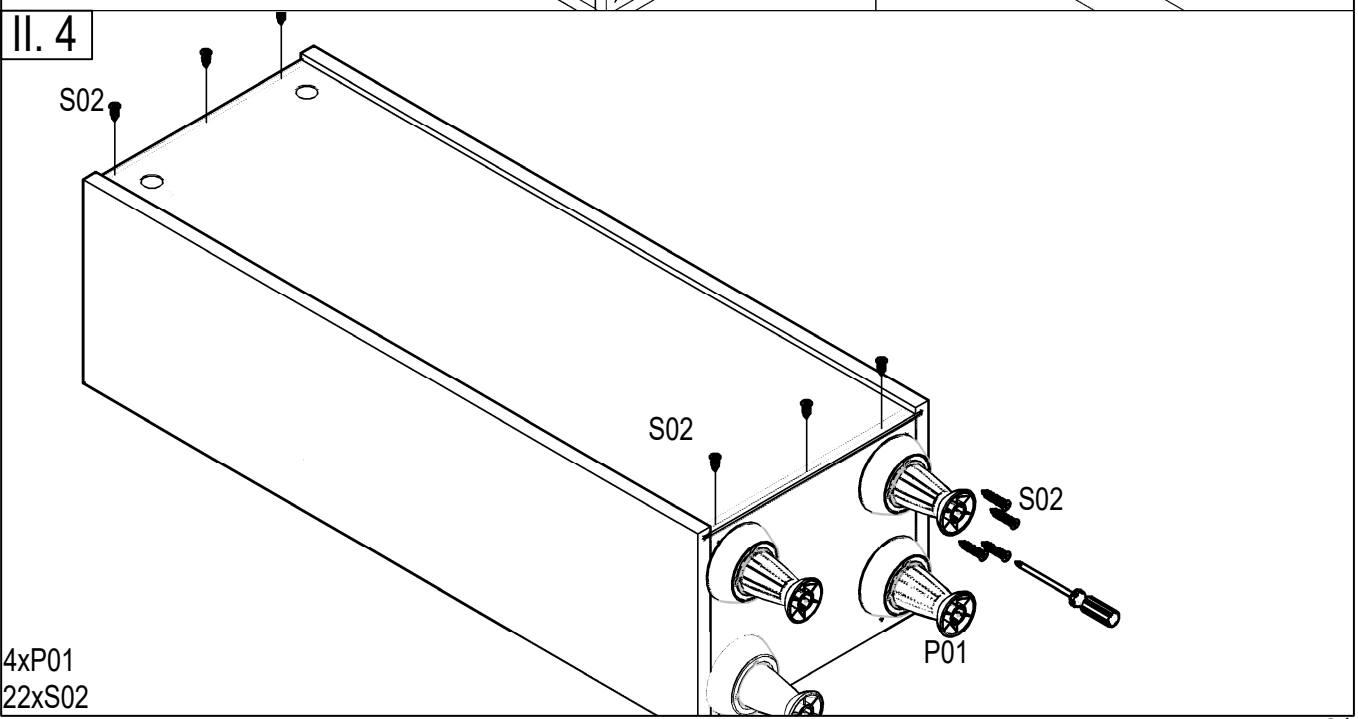
II. 2



II. 3

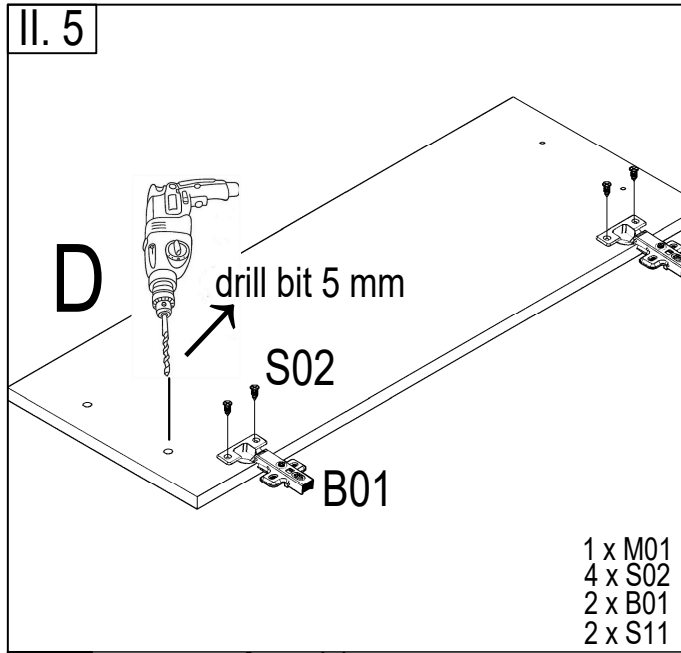


II. 4

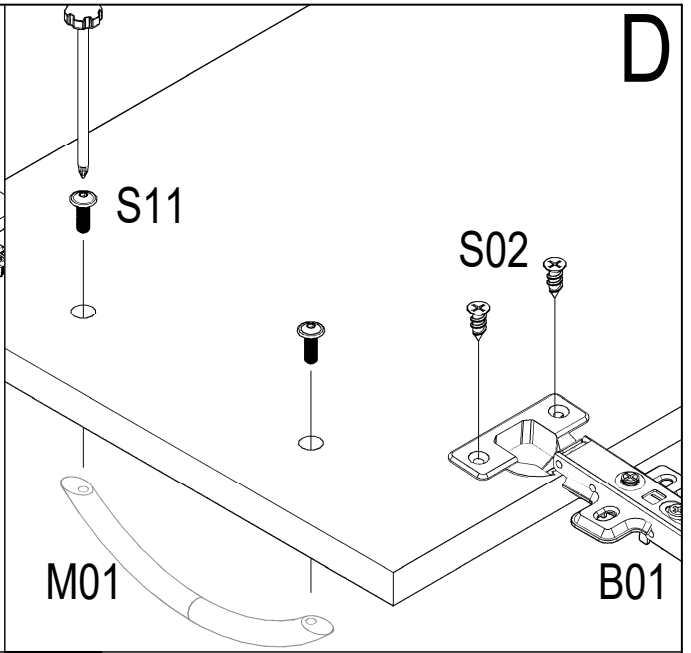




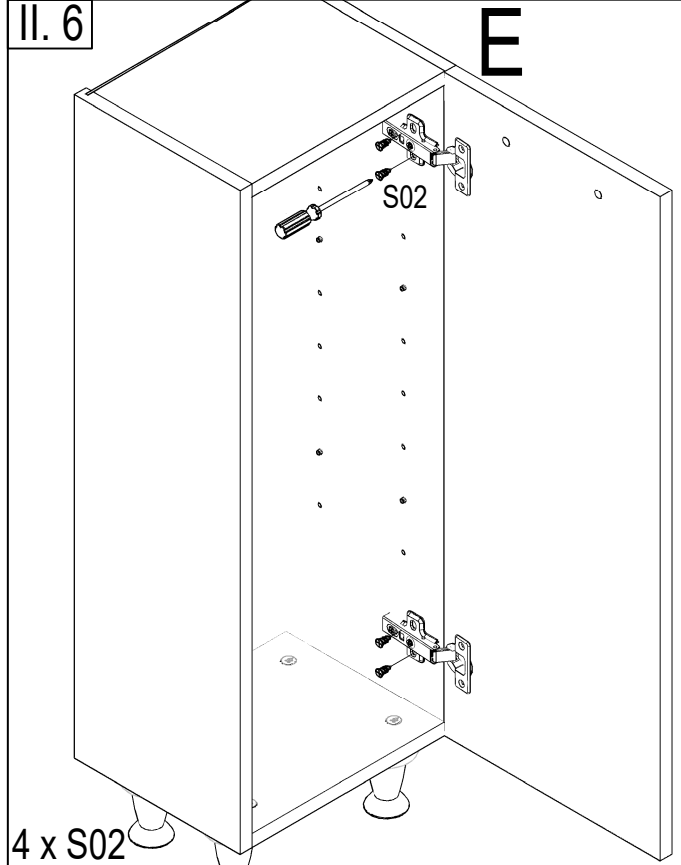
II. 5



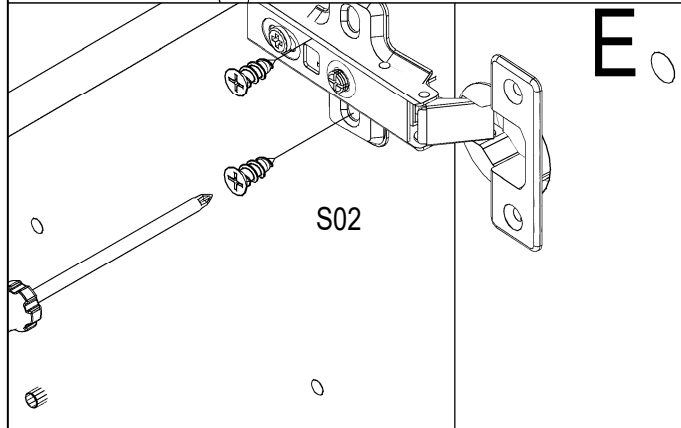
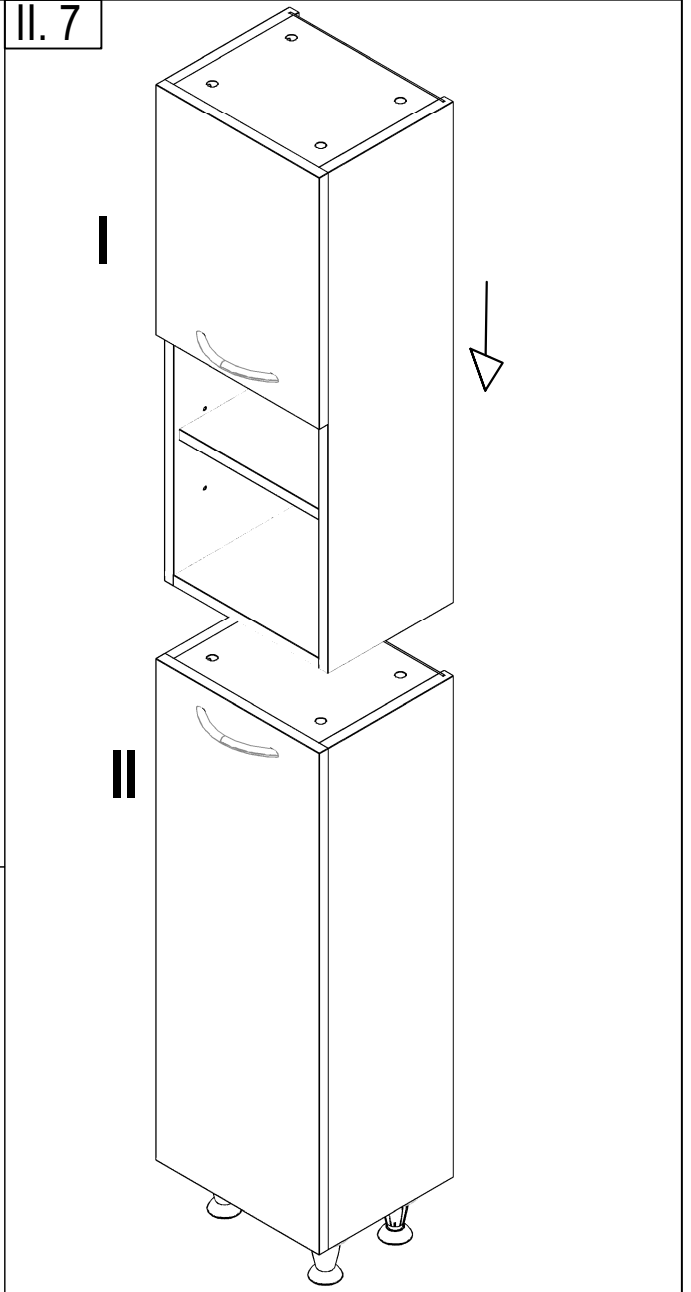
- 1 x M01
- 4 x S02
- 2 x B01
- 2 x S11

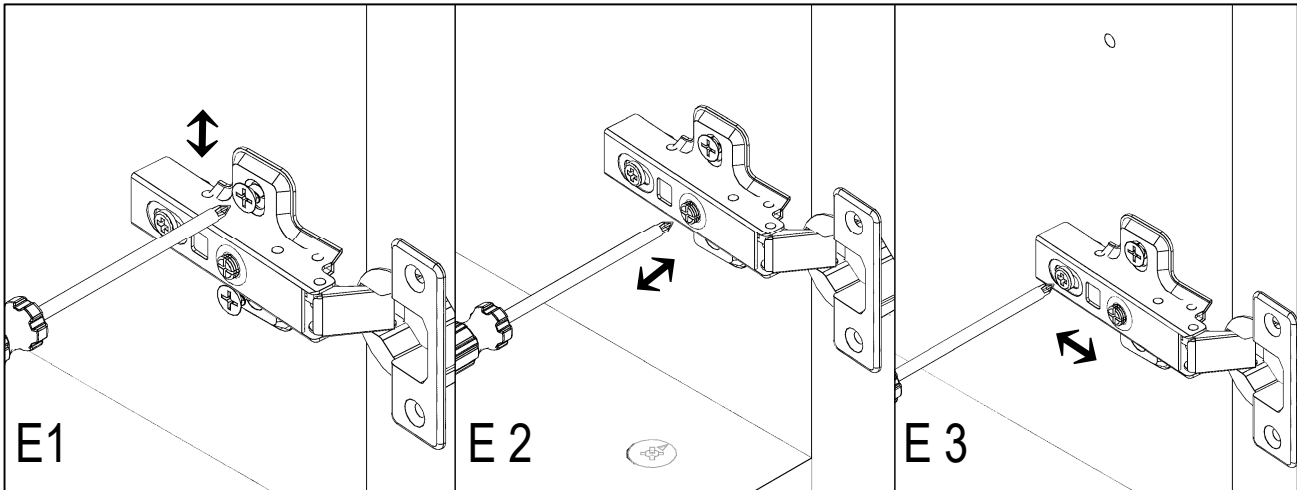


II. 6



II. 7





E1

E2

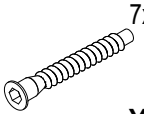



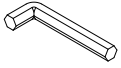
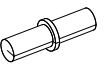
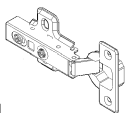



E3

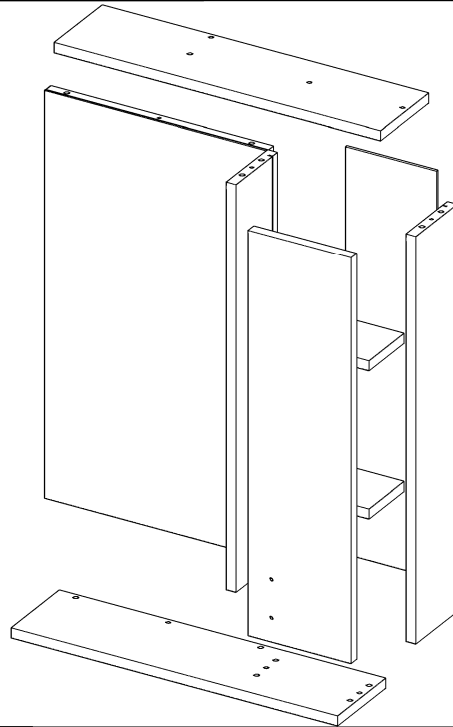
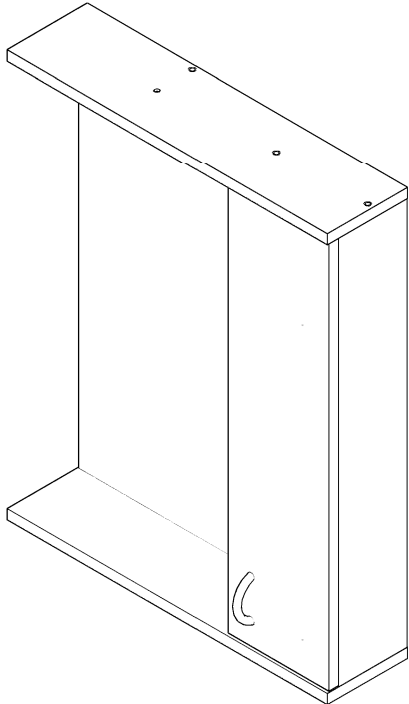
HEIGHT ADJUSTMENT

SIDE ADJUSTMENT

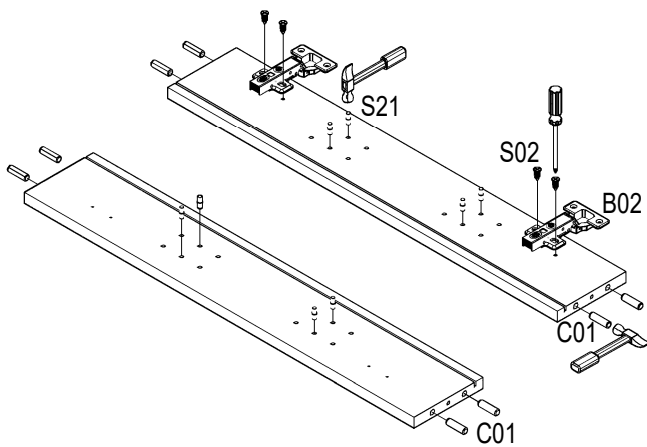
DEPTH ADJUSTMENT

# NR.1

 7x50 S01 <b>x6</b>	 3.5x16 S02 <b>x8</b>	 M4x22 S11 <b>x2</b>	 C01 <b>x12</b>	 D01 <b>x1</b>	 S21 <b>x8</b>
 B01 <b>x2</b>	 M01 <b>x1</b>	 A04 <b>x2</b>	 D04 <b>x1</b>		

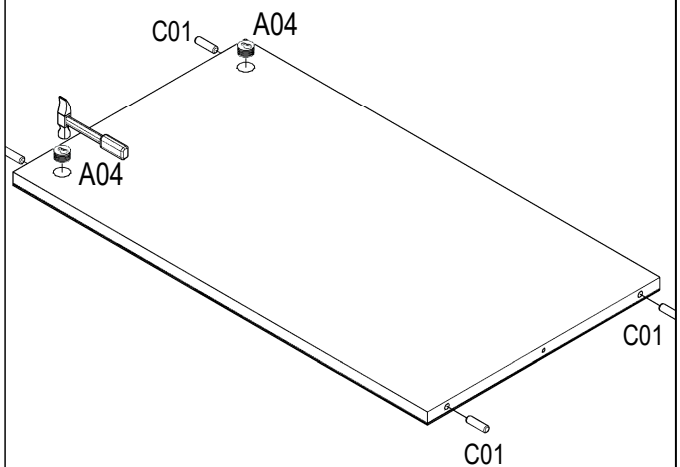


1.



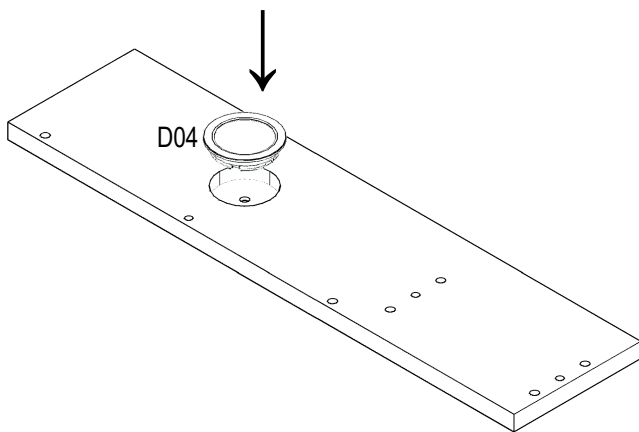
8xC01  
8xS21  
2xB02  
4xS02

2.



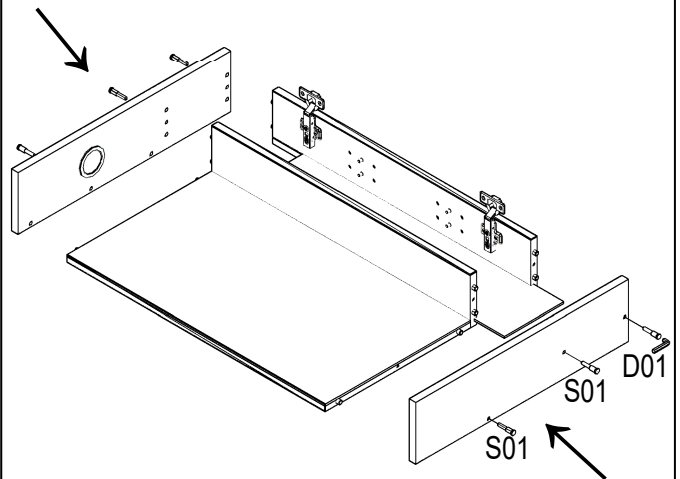
2xA04  
4xC01

3.



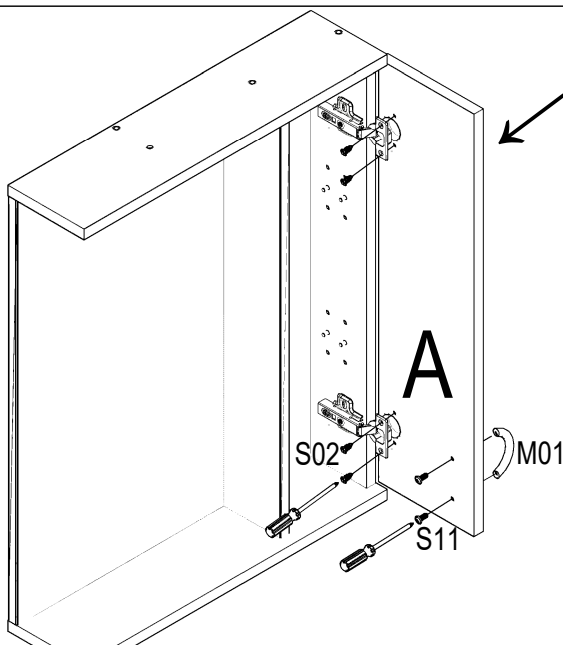
1xD04

4.

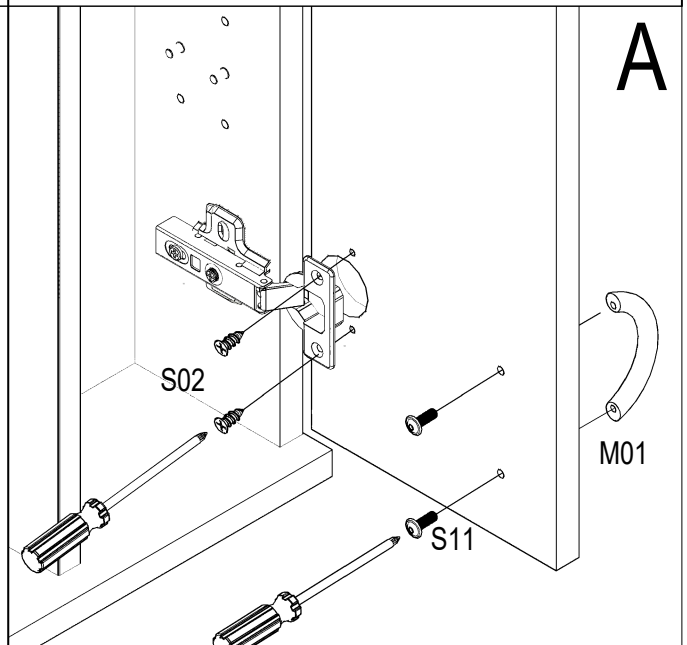


6xS01  
1xD01

5.

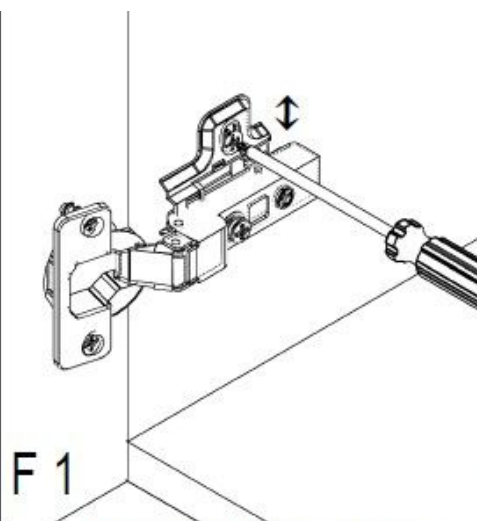


1xM01  
2xS11  
4xS02



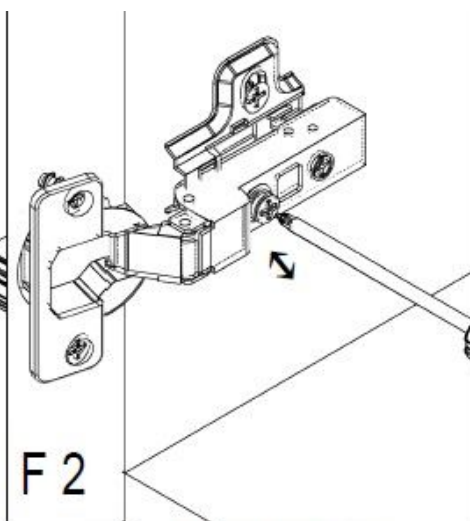
A

M01



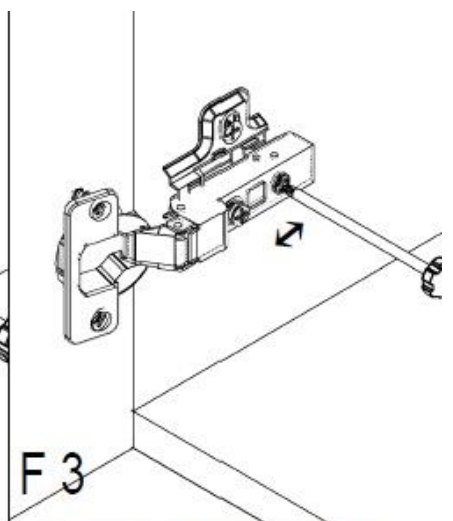
F 1

HEIGHT ADJUSTMENT



F 2

SIDE ADJUSTMENT



F 3

DEPTH ADJUSTMENT