





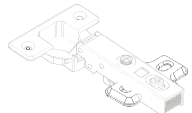

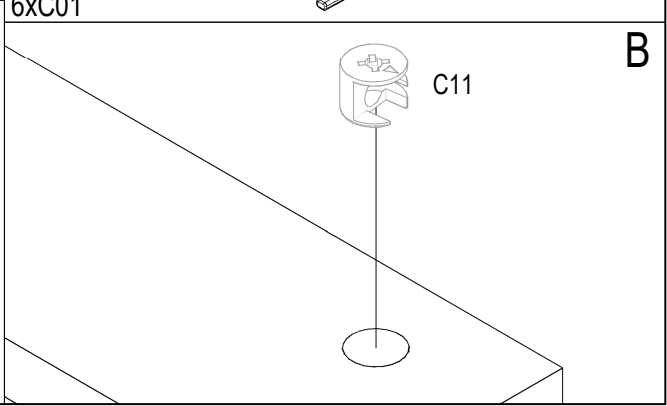
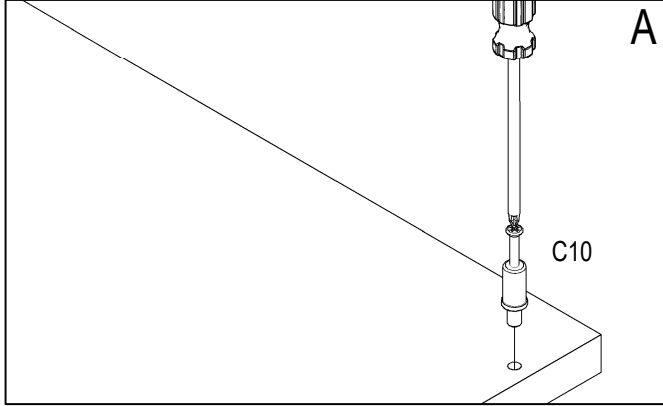
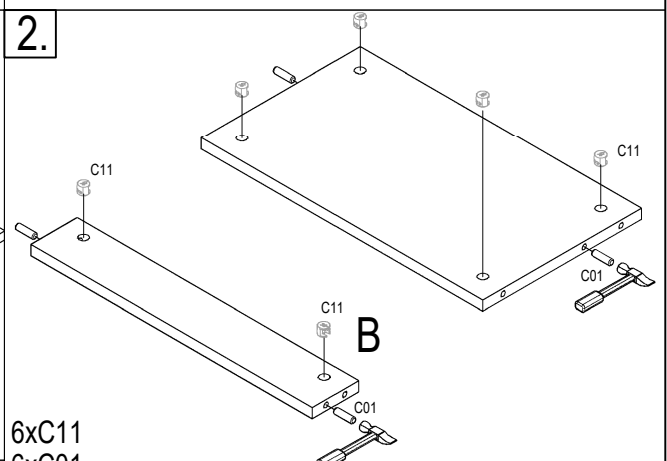
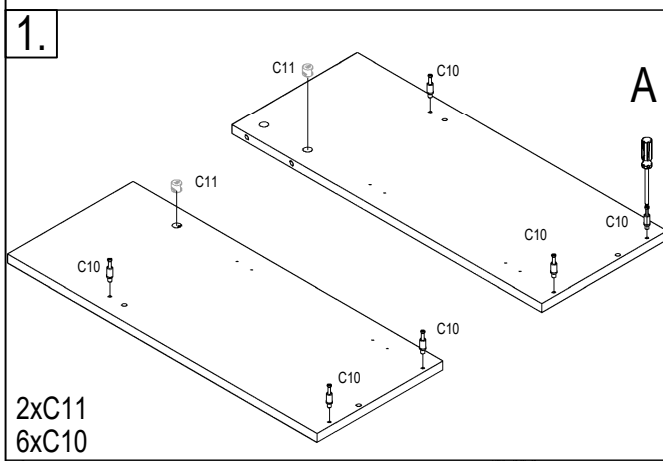
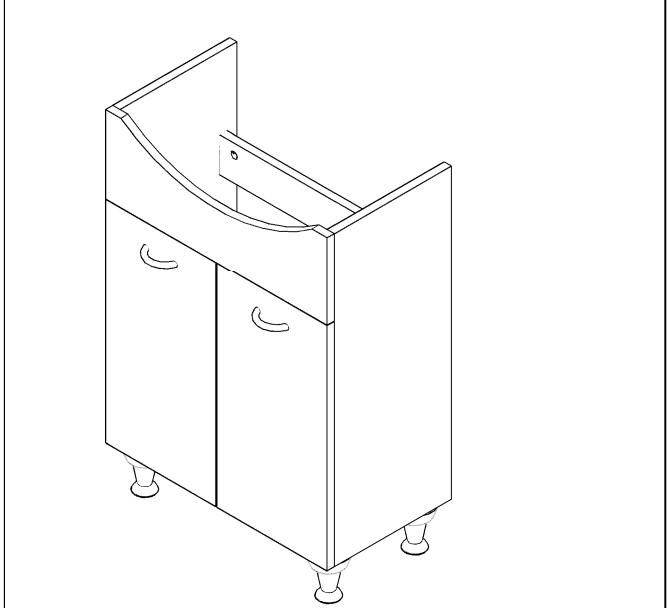
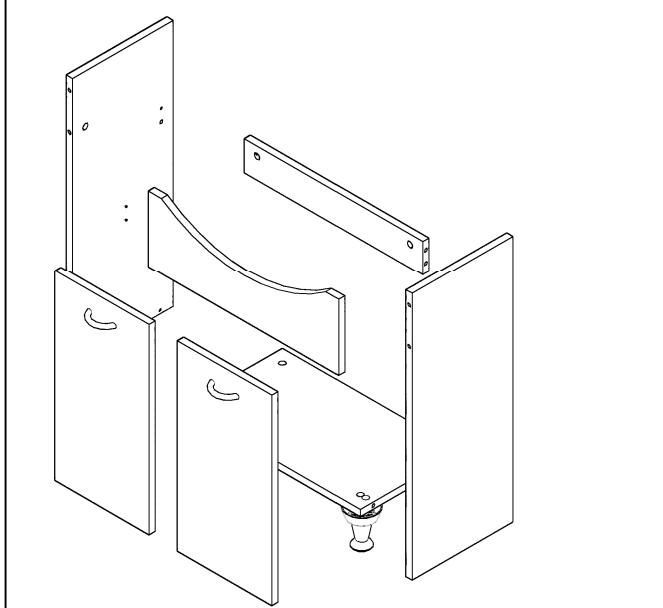
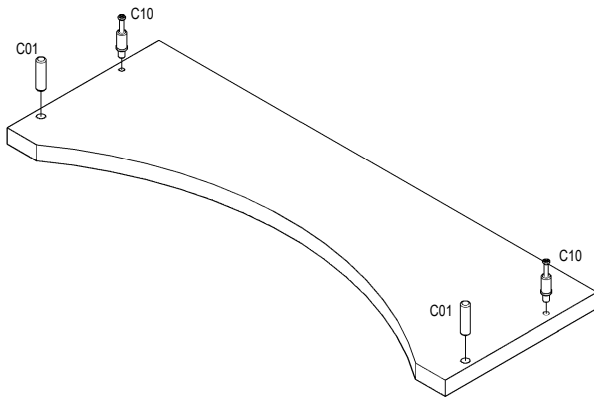


NR.5

 3.5x16 S02 x32	 M4x22 S11 x4	 C01 x8	 C10 x8	 C11 x8	 P01 x4
 B01 x4	 M01 x2				

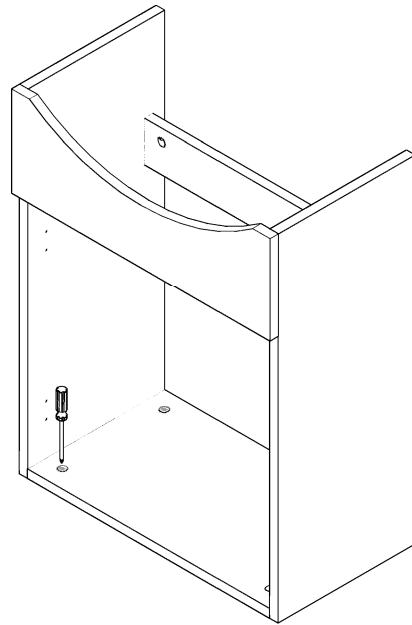


3.

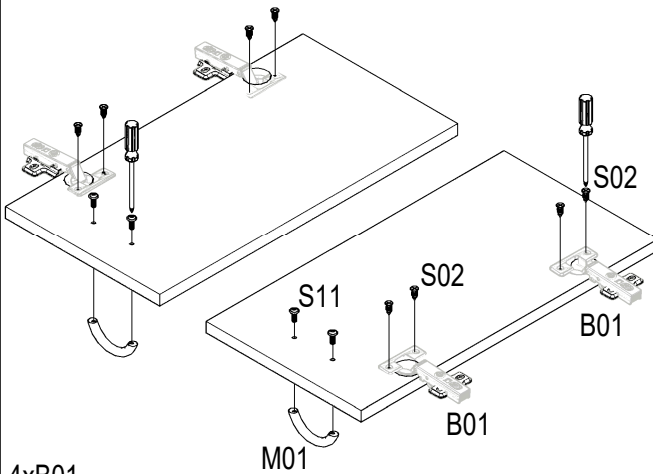


2xC10
2xC01

4.

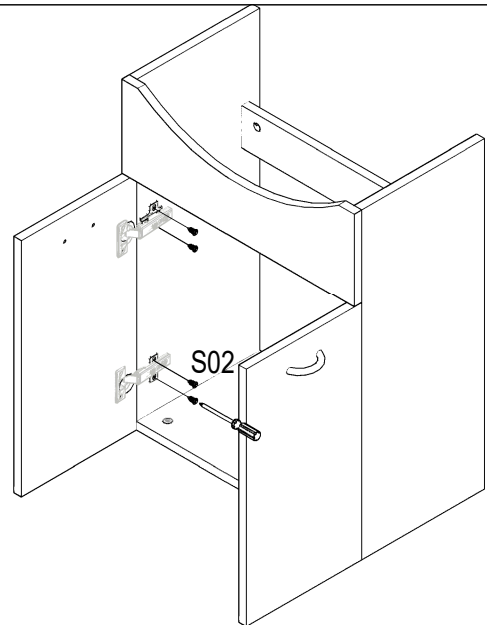


5.



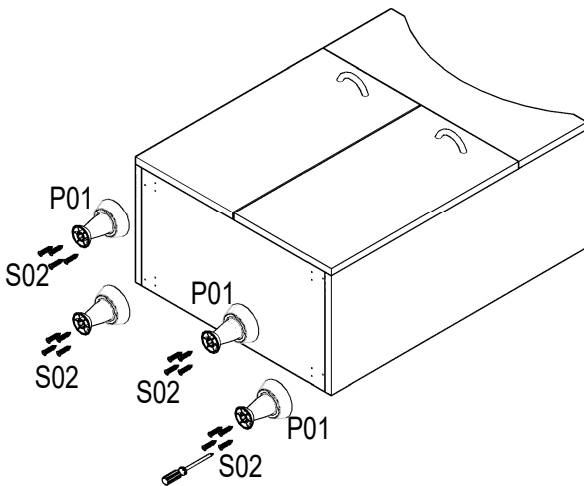
4xB01
2xM01
4xS11
8xS02

6.



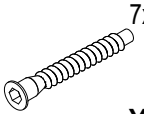



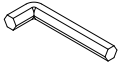
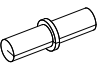
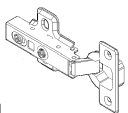



8xS02

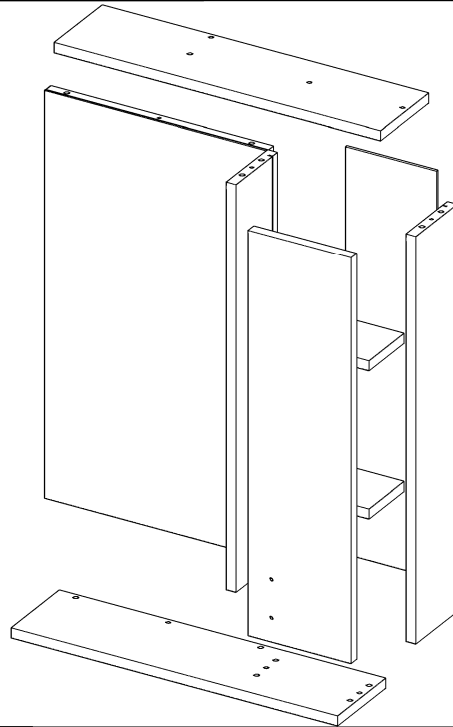
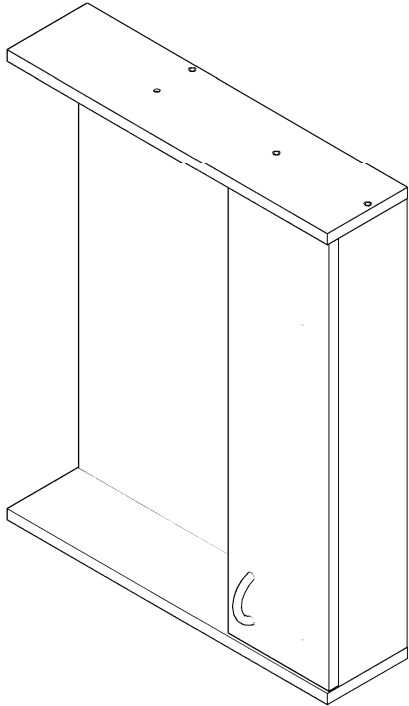
7.



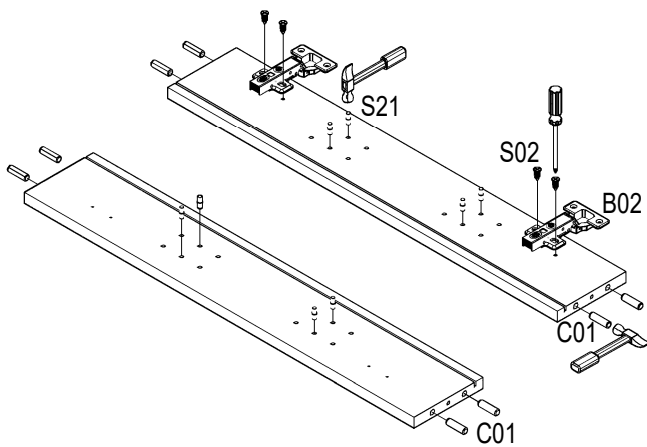
4xP01
16xS02

NR.1

 7x50 S01 x6	 3.5x16 S02 x8	 M4x22 S11 x2	 C01 x12	 D01 x1	 S21 x8
 B01 x2	 M01 x1	 A04 x2	 D04 x1		

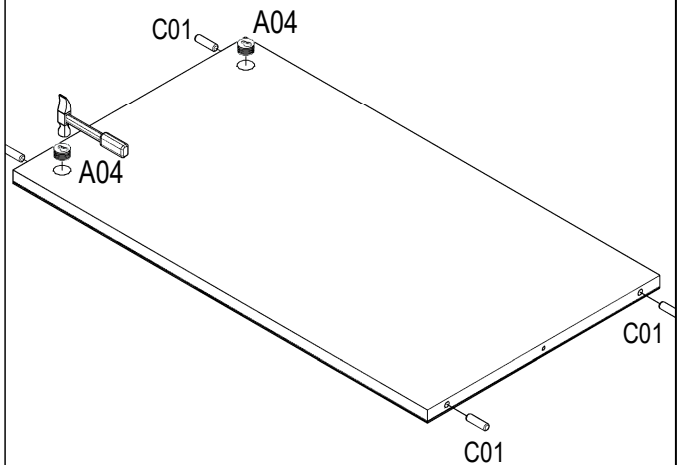


1.



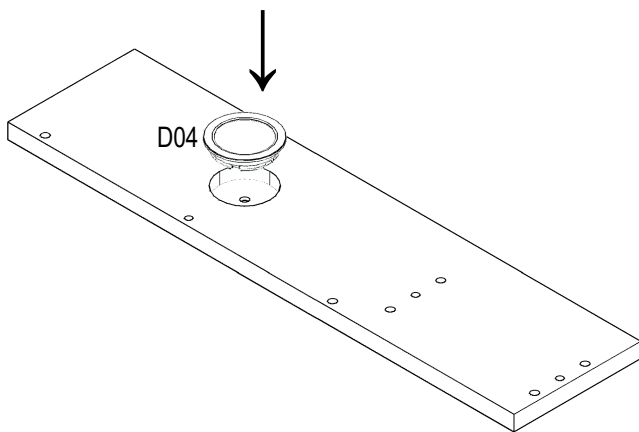
8xC01
 8xS21
 2xB02
 4xS02

2.



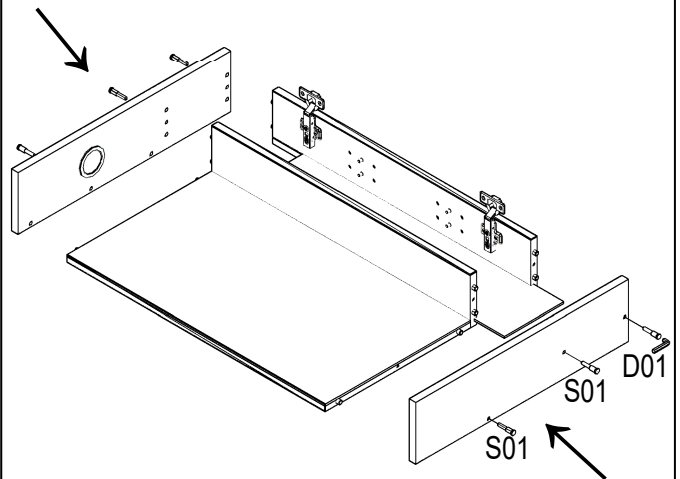
2xA04
 4xC01

3.



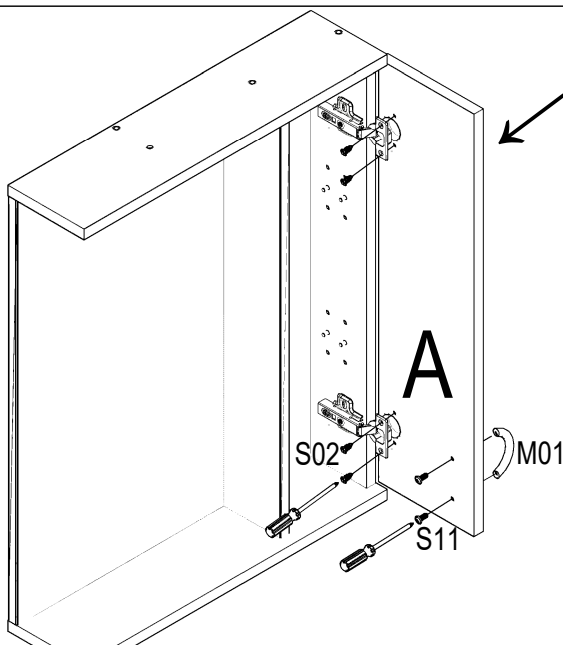
1xD04

4.

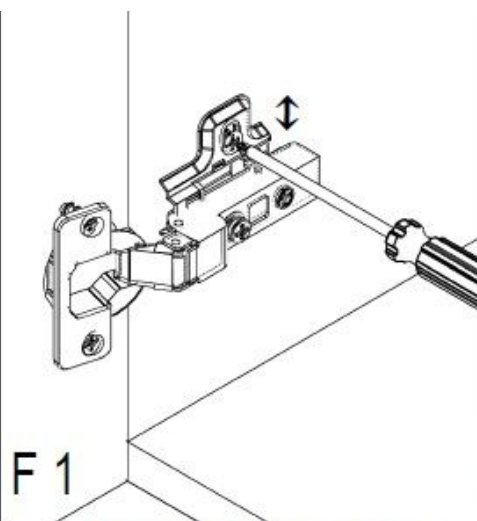
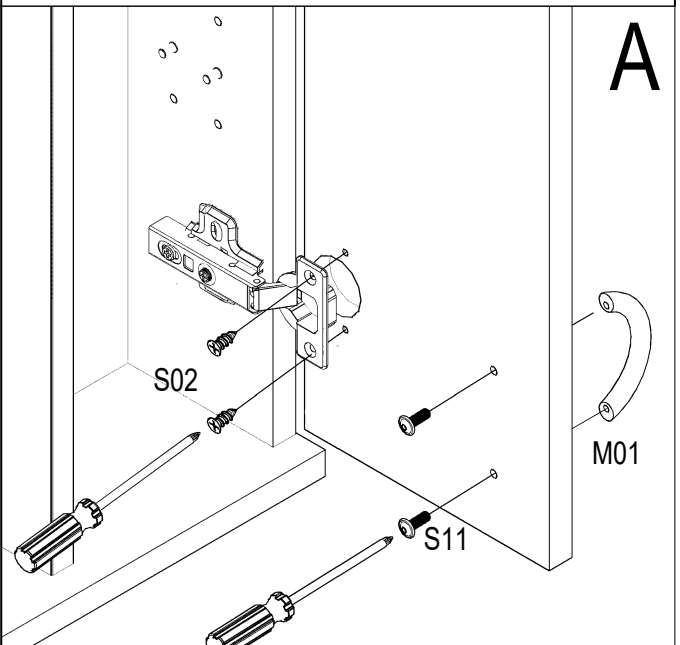


6xS01
1xD01

5.

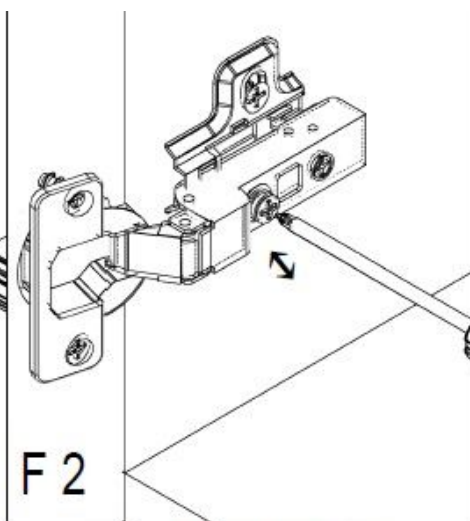


1xM01
2xS11
4xS02



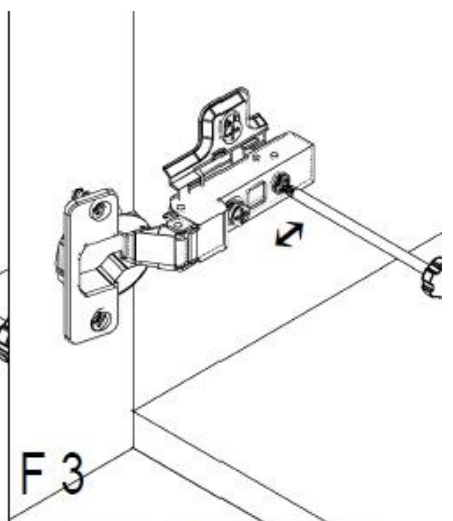
F 1

HEIGHT ADJUSTMENT



F 2

SIDE ADJUSTMENT



F 3

DEPTH ADJUSTMENT