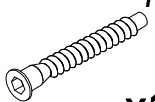



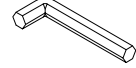
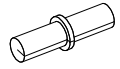
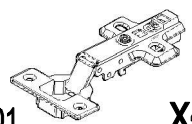
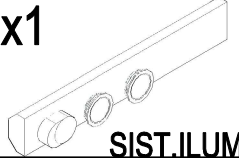
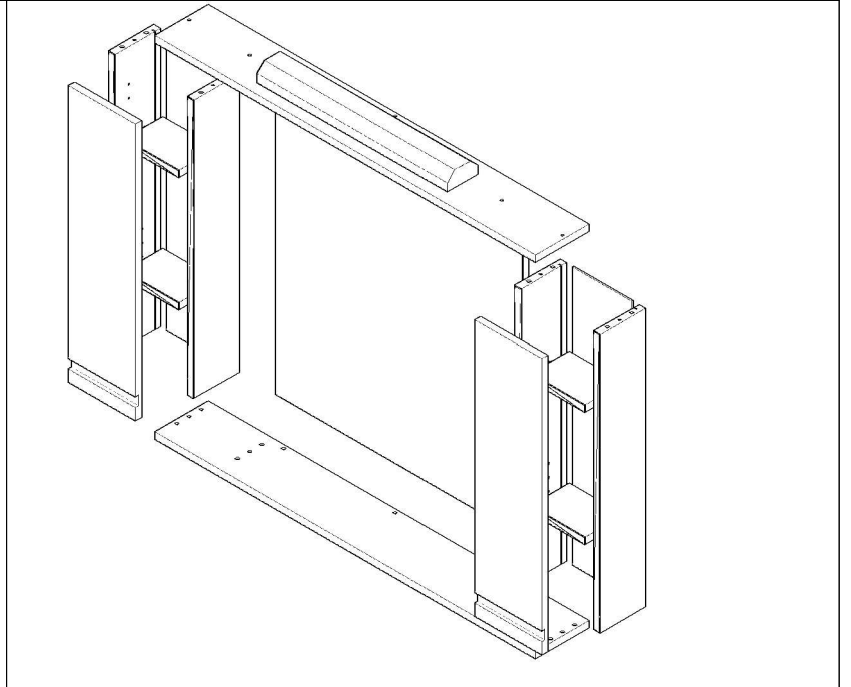
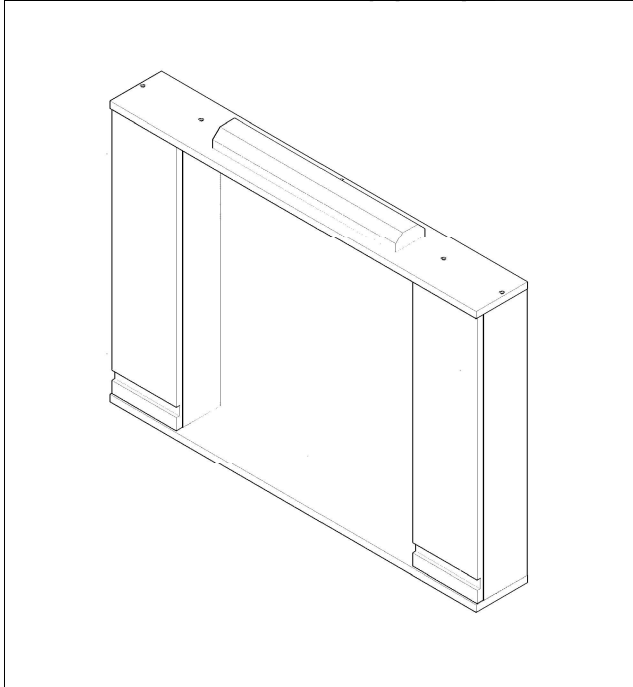
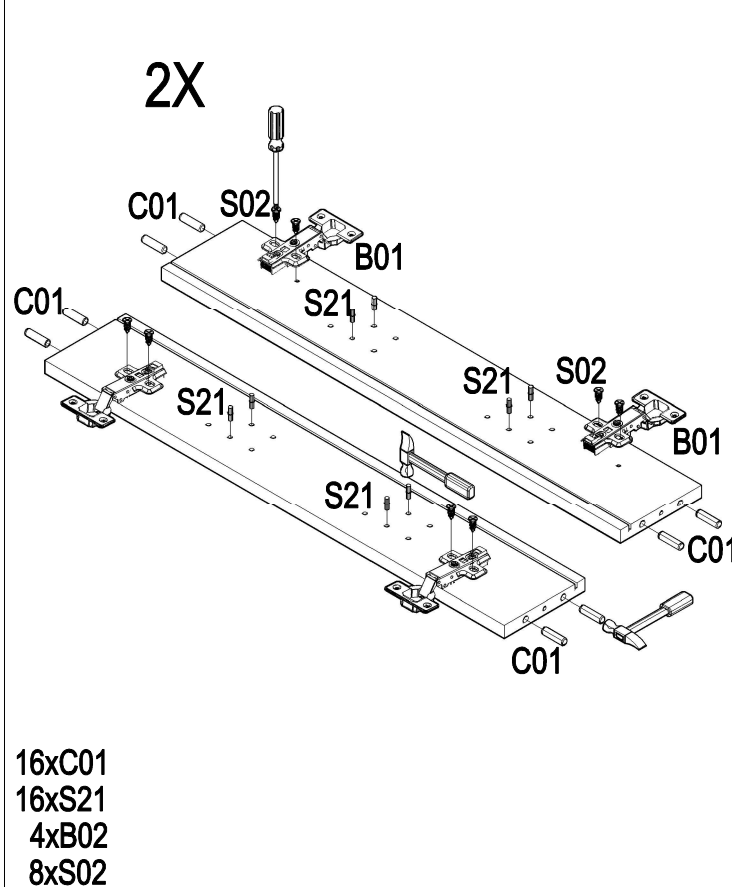


NR.63

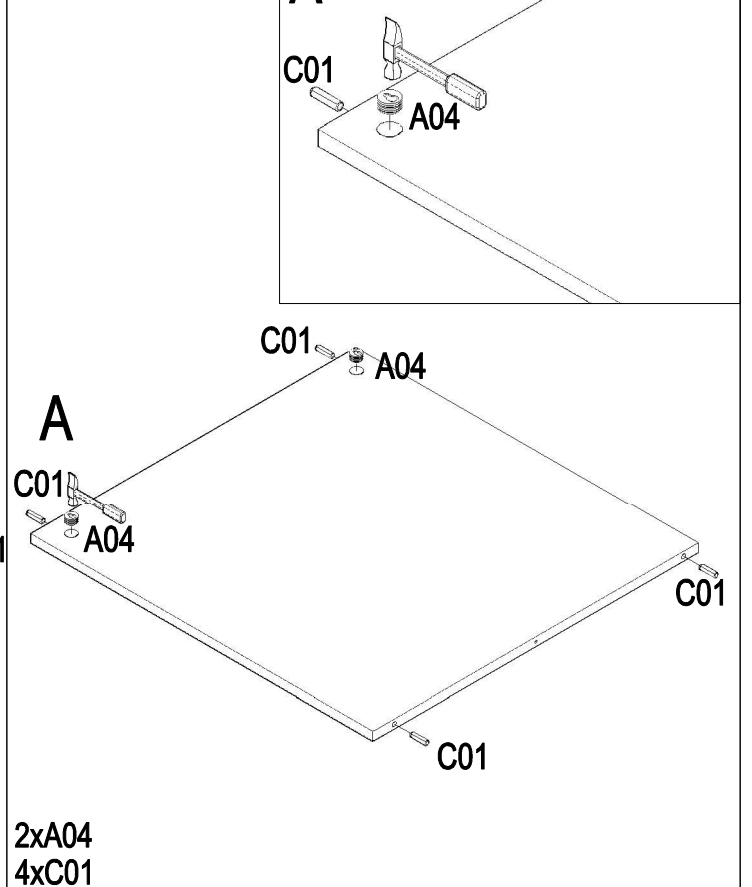
 <p>7x50 S01</p>	 <p>3.5x16 S02</p>	 <p>A04</p>	 <p>C01</p>	 <p>D01</p>	 <p>S21</p>
<p>x10</p>	<p>x16</p>	<p>x2</p>	<p>x20</p>	<p>x1</p>	<p>x16</p>
 <p>B01</p>	 <p>SIST.ILUM</p>				
<p>x4</p>	<p>x1</p>				



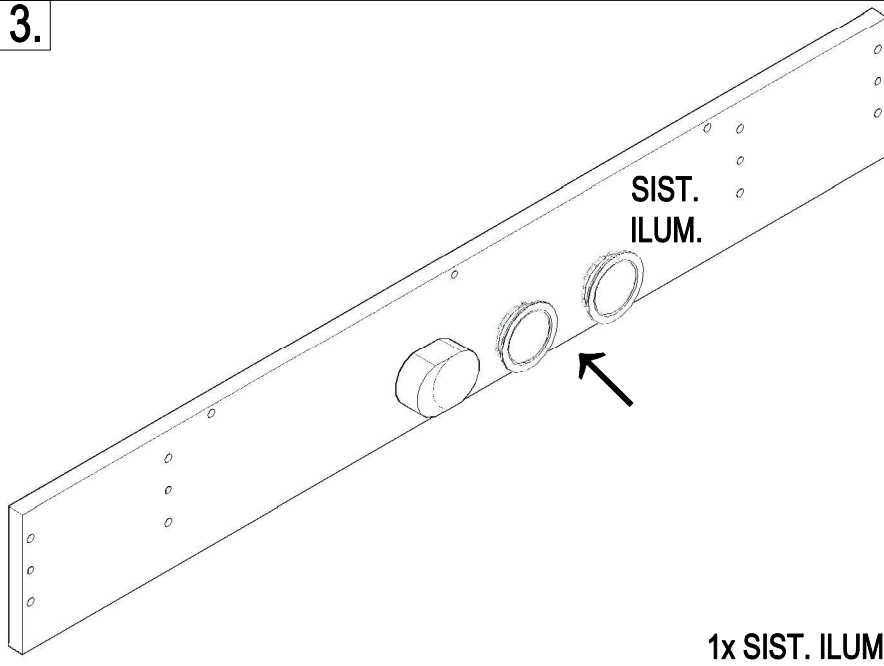
1.



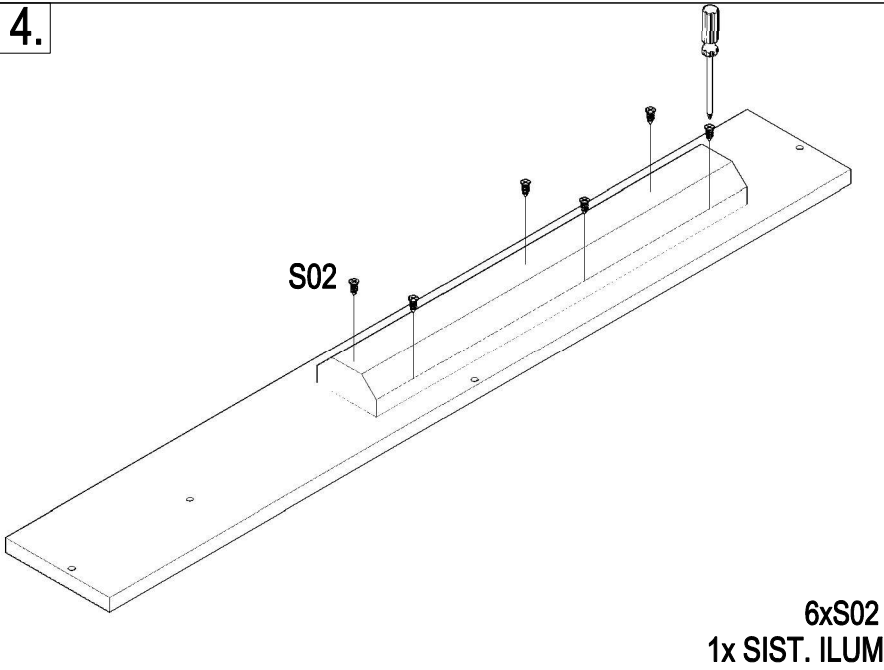
2.



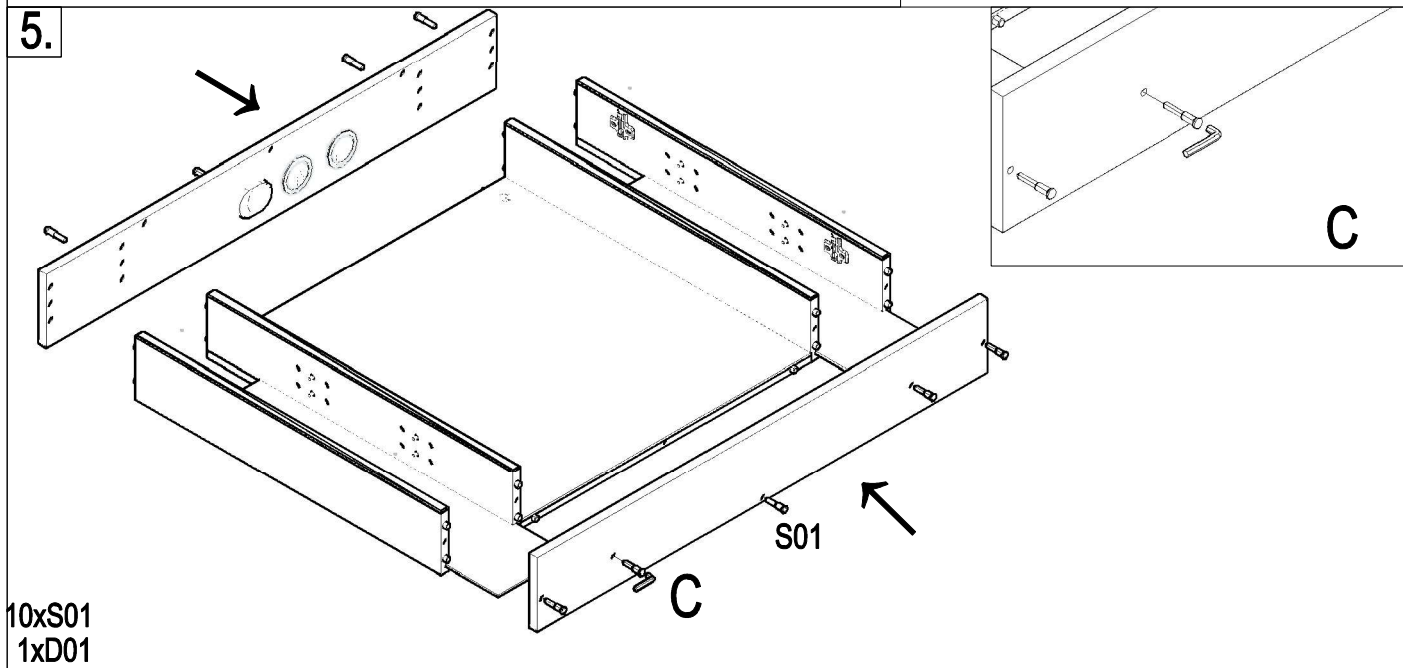
3.



4.



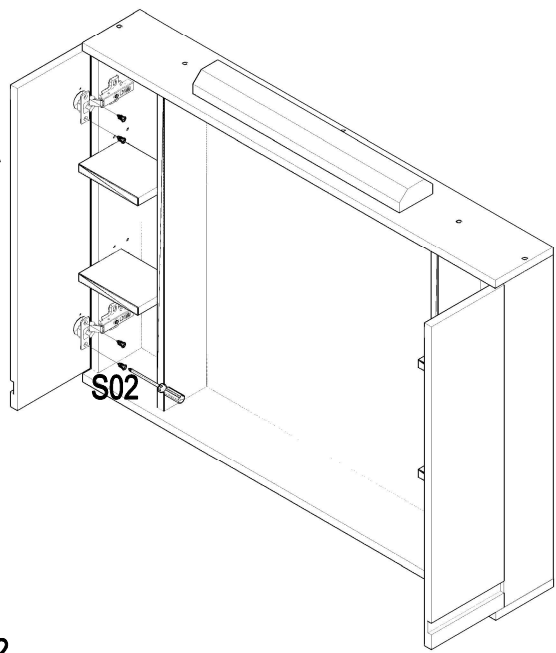
5.



6.

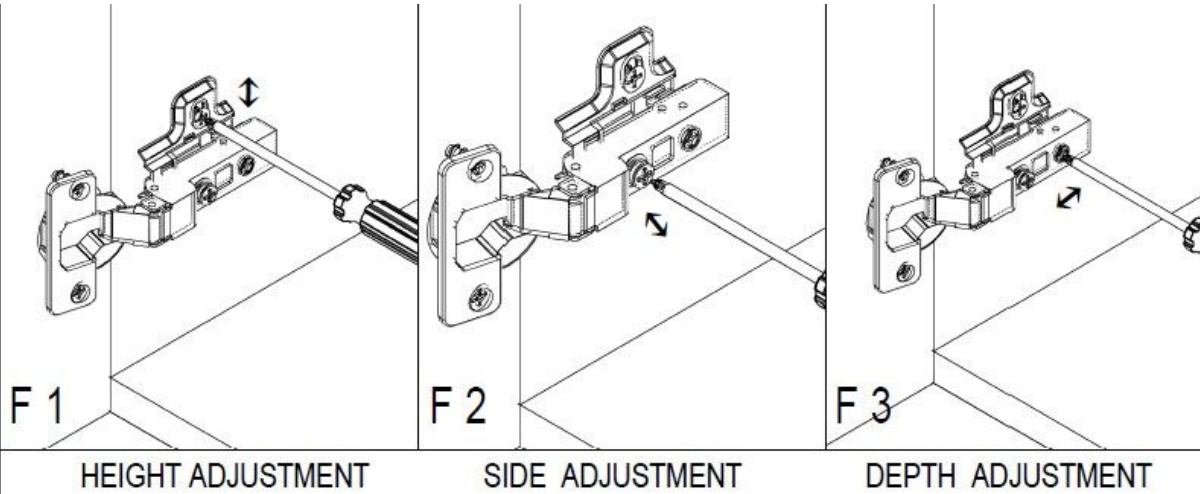
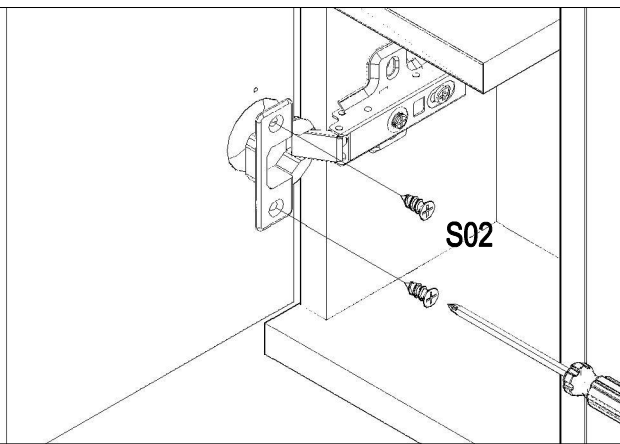


D



8xS02

D



F 1

HEIGHT ADJUSTMENT

F 2

SIDE ADJUSTMENT

F 3

DEPTH ADJUSTMENT