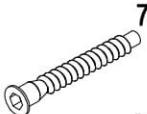

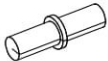





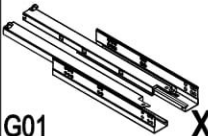


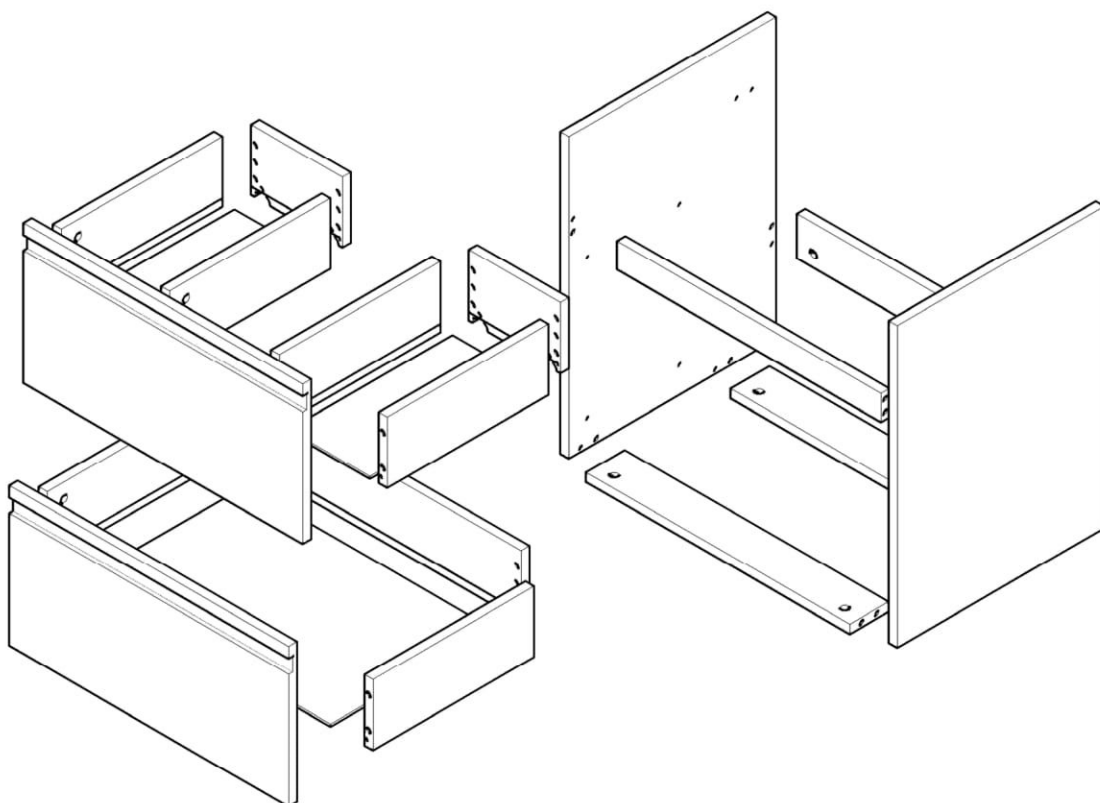
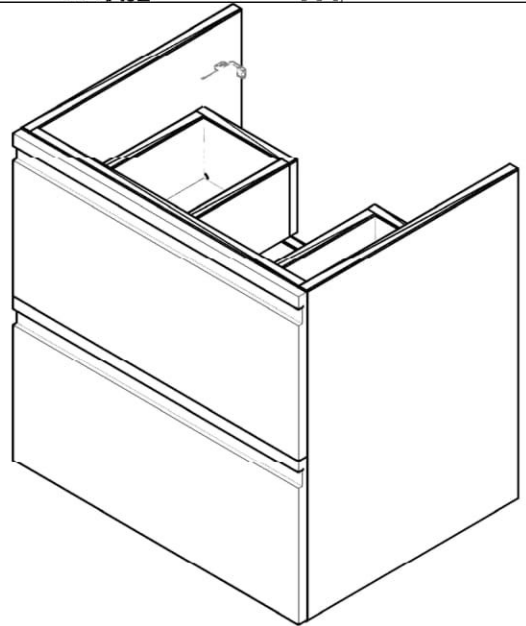
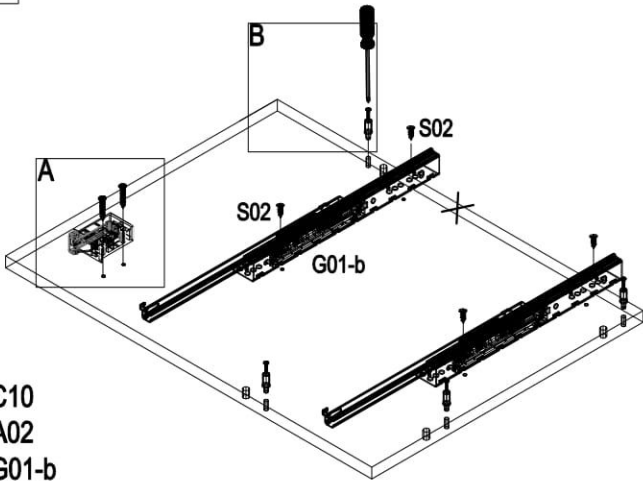


NR.40

 7x50 S01 x6	 3.5x16 S02 x8	 S21 x4	 C01 x20	 3.5x30 S03 x4	 D01 x1
 C10 x20	 C11 x20	 G01 x2	 A01 x1	 A02 x1	

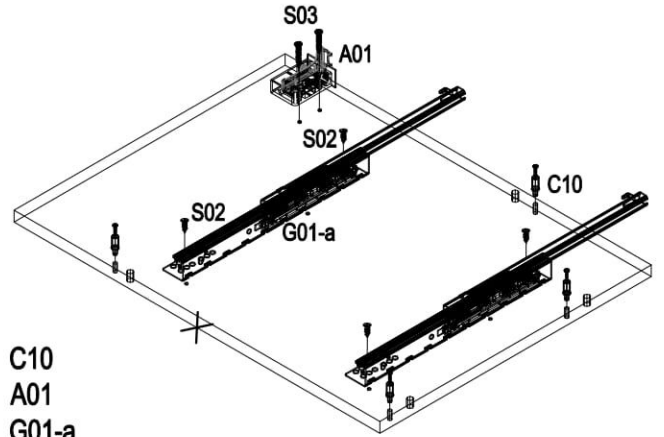


1.

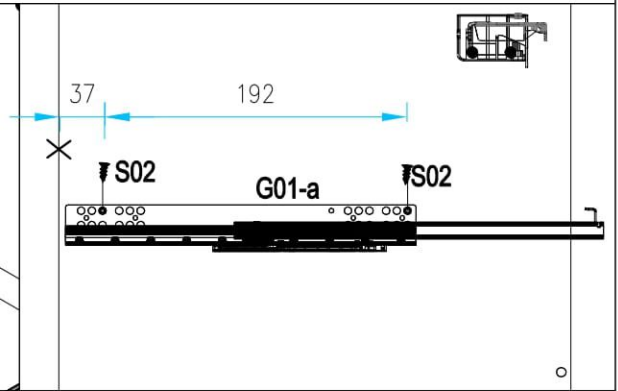
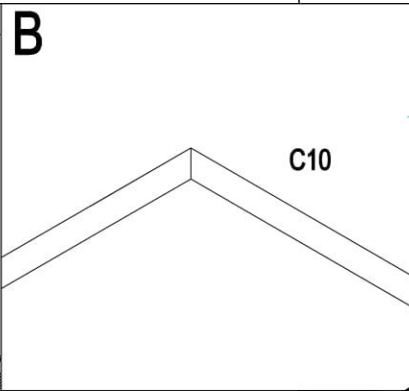
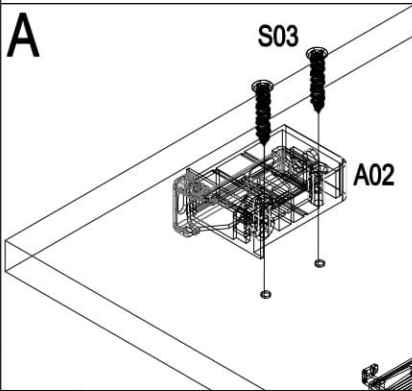


- 4x C10
- 1x A02
- 2x G01-b
- 2x S03
- 4x S02

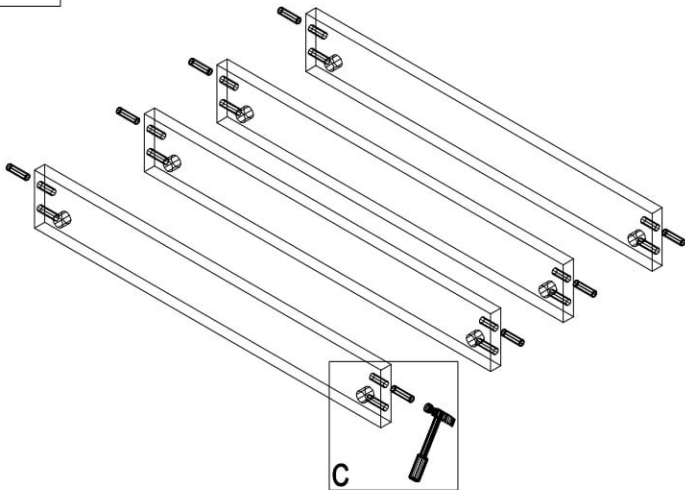
2.



- 4x C10
- 1x A01
- 2x G01-a
- 2x S03
- 4x S02

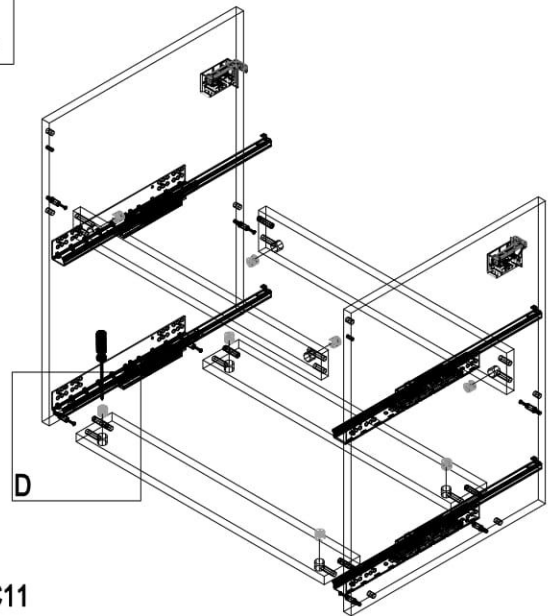


3.

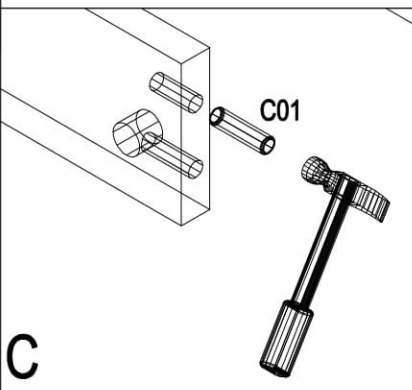


8x C01

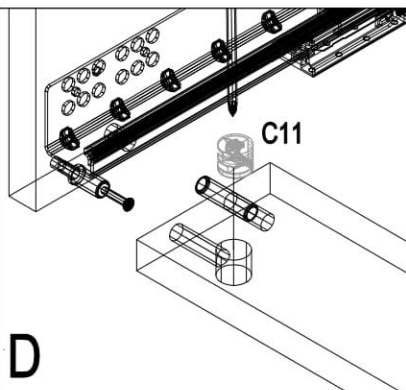
4.



8x C11

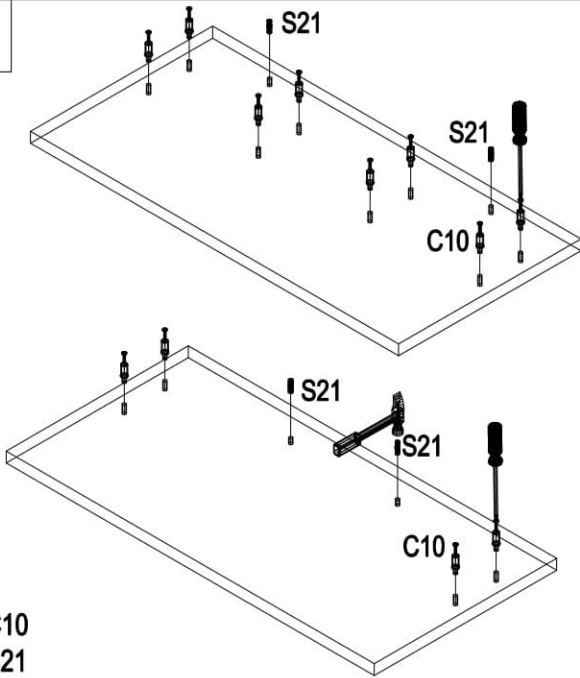


C



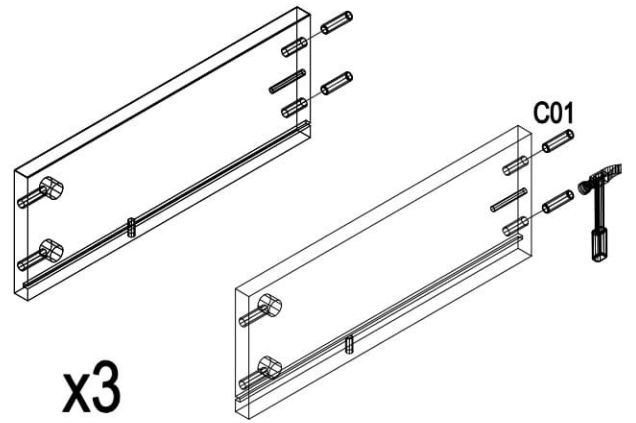
D

5.



12x C10
4x S21

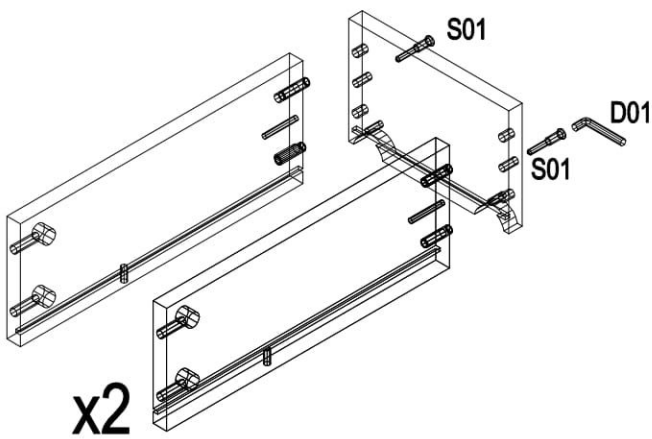
6.



x3

2x C01

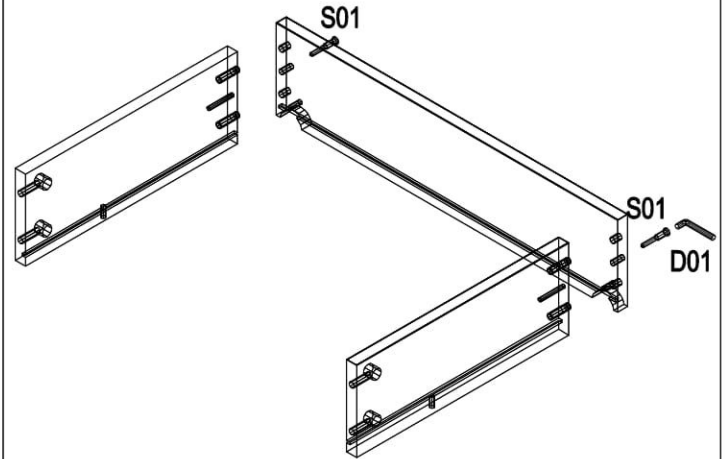
7.



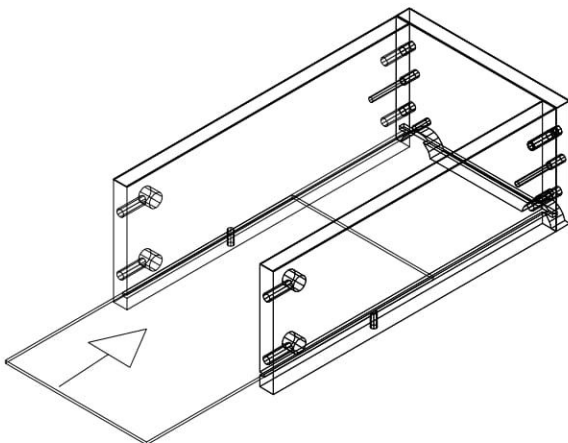
x2

1x D01
2x S01

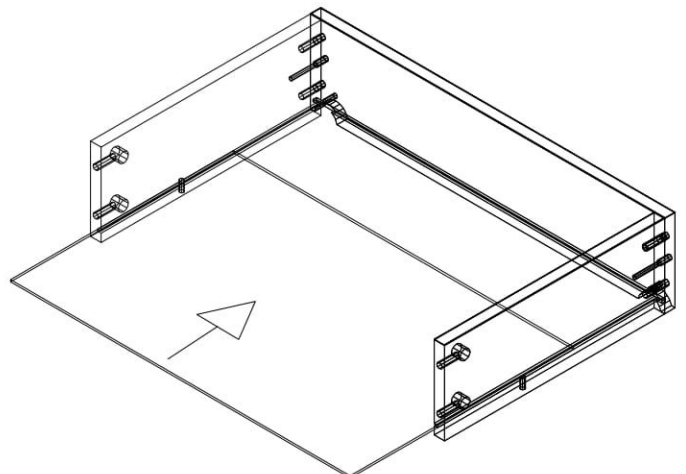
8.



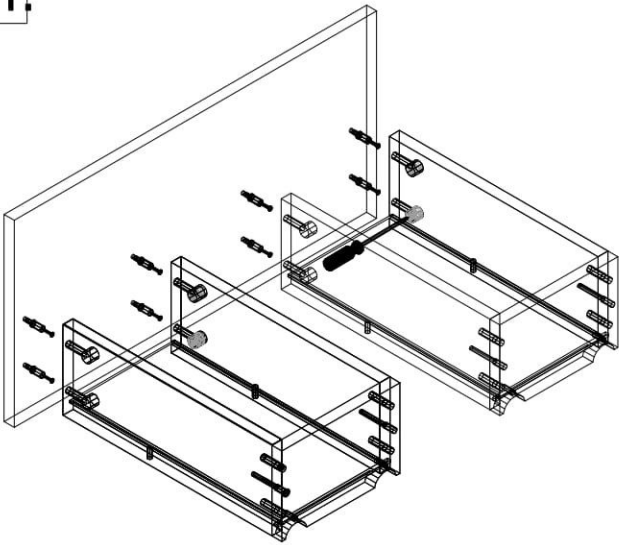
9.



10.

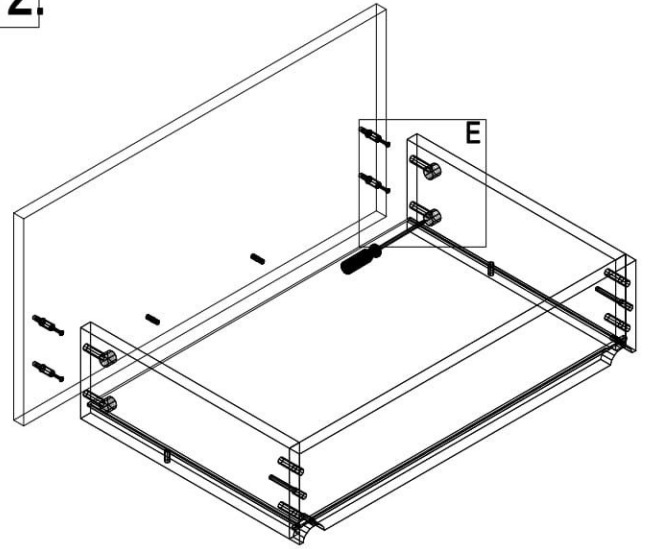


11.



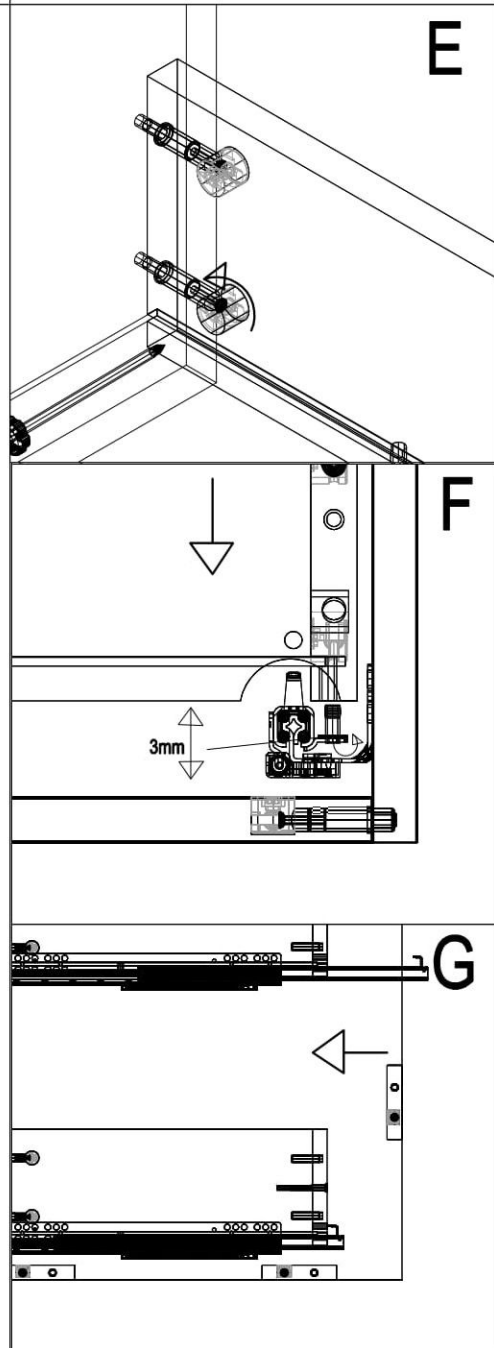
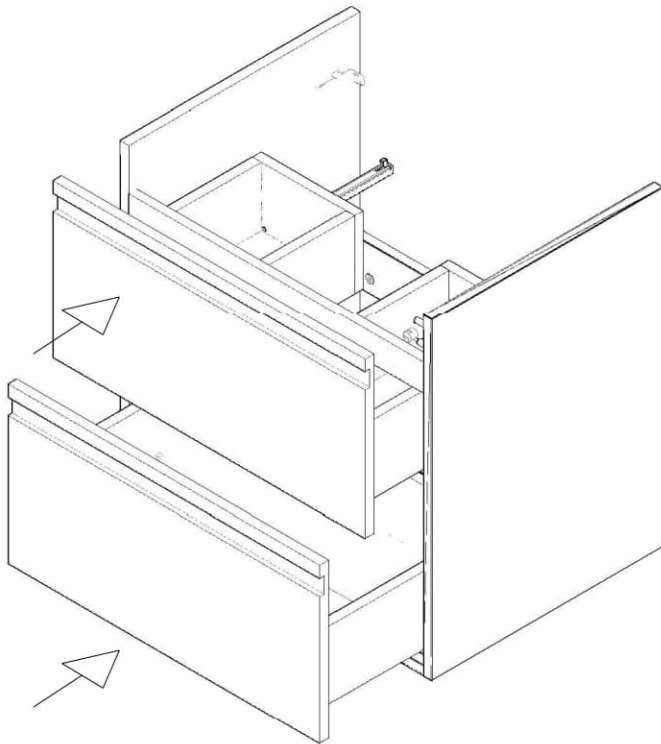
8x C11

12.

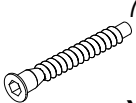

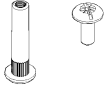

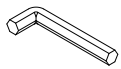
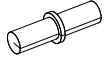
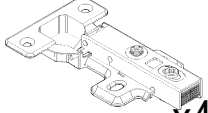
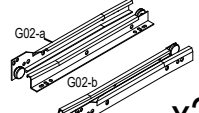



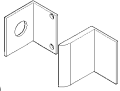


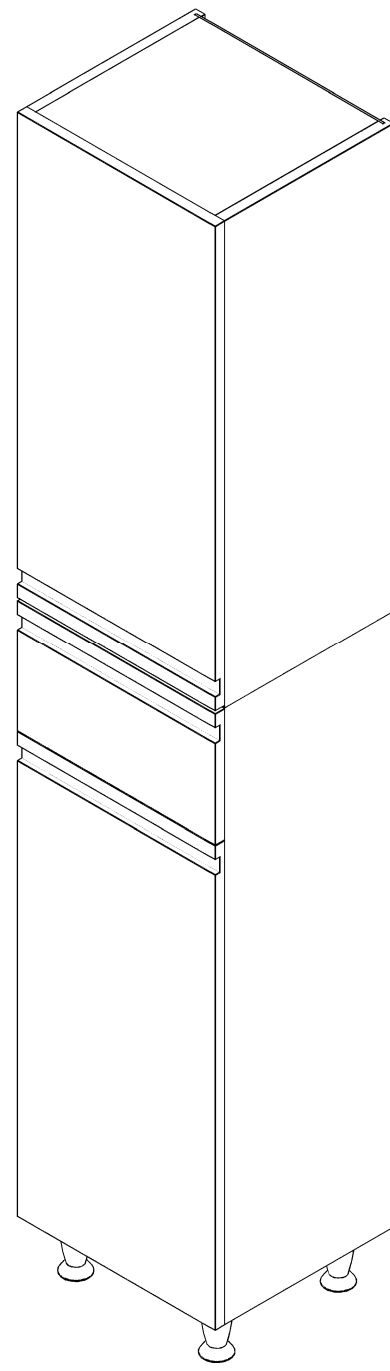
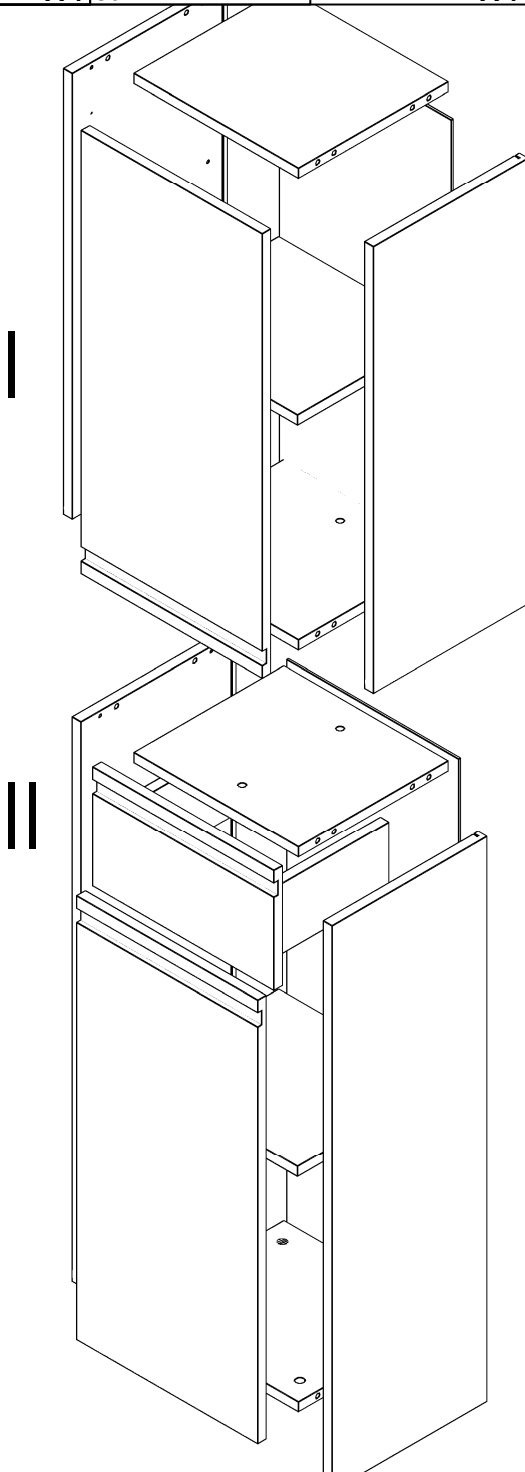
4x C11

13.

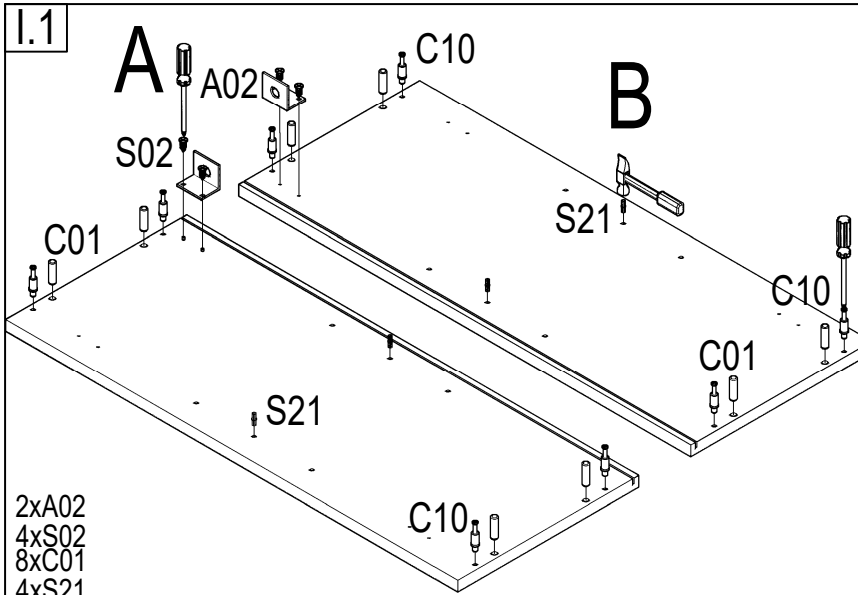


NR.114

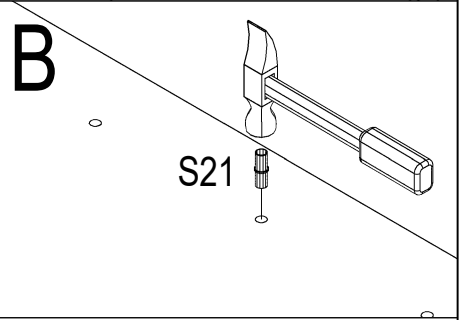
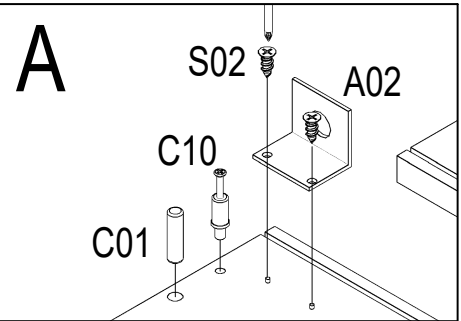
 S01 x2	 S02 x58	 S05 x2	 C01 x20	 D01 x1	 S21 x9
 B01 x4	 G02 x2	 P01 x4	 C10 x20	 C11 x20	 A02 x2



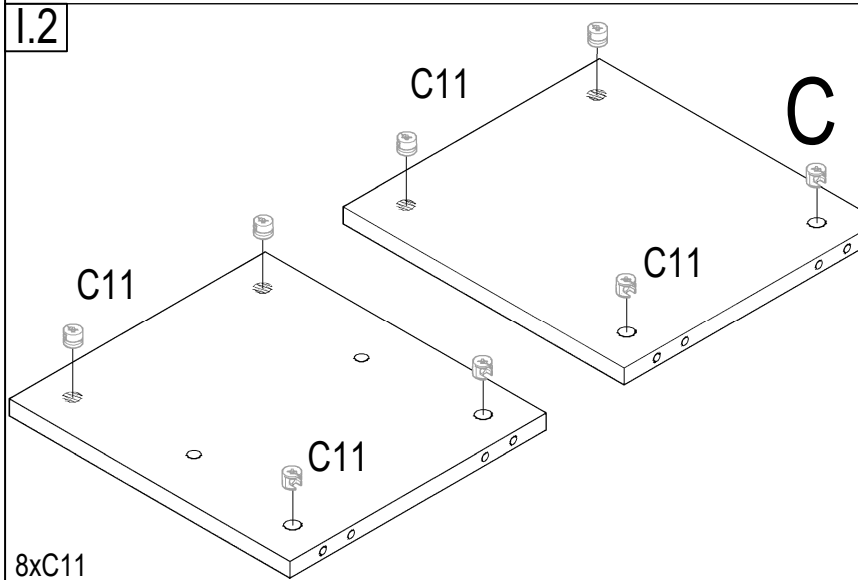
I.1



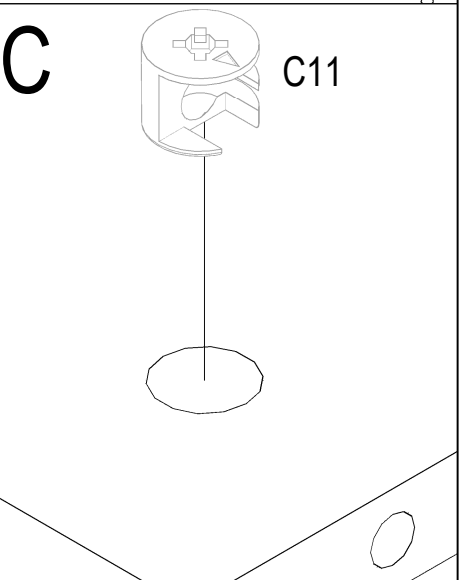
2xA02
 4xS02
 8xC01
 4xS21
 8xC10



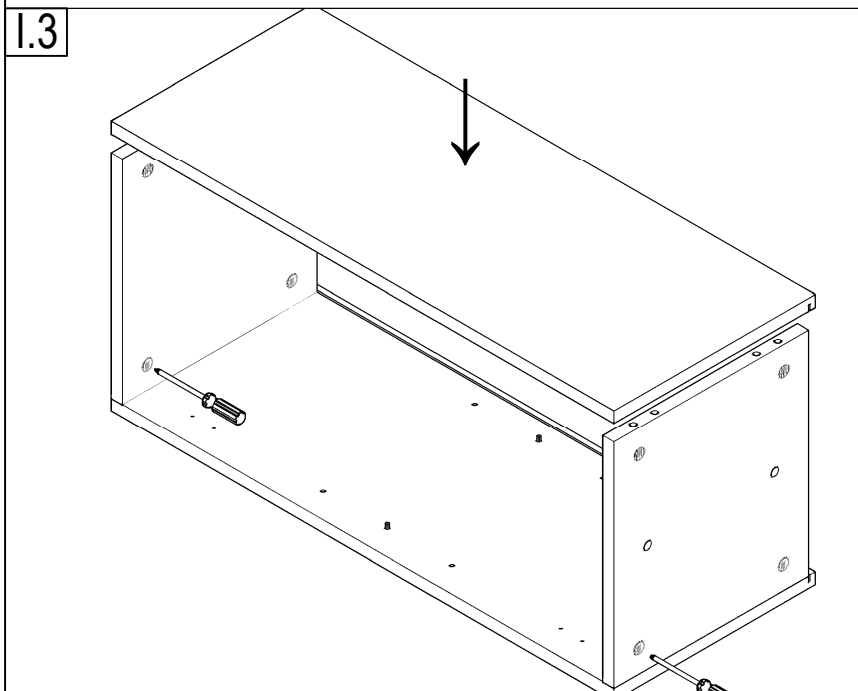
I.2



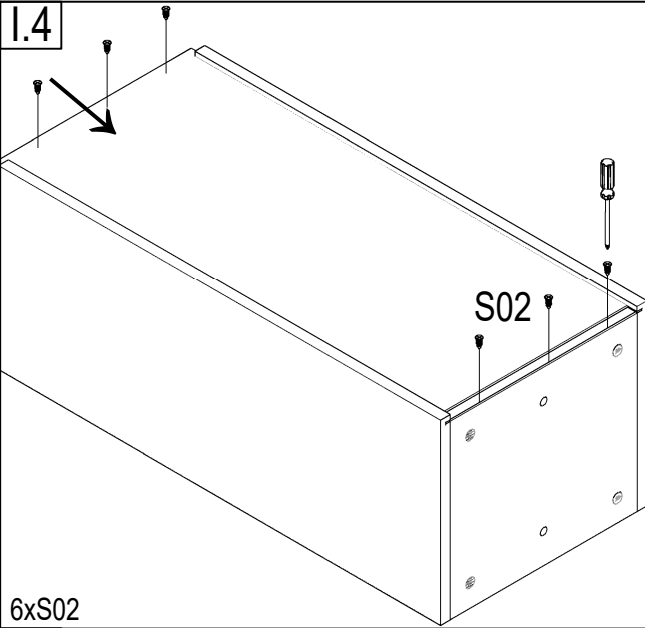
8xC11



I.3

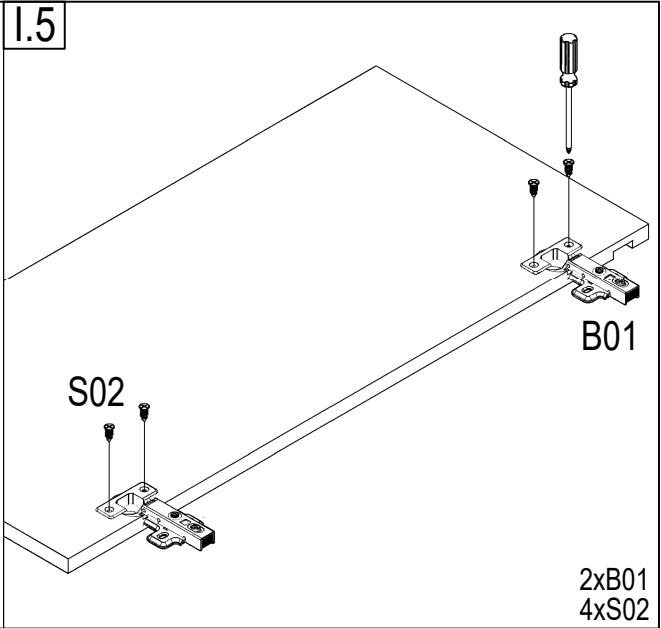


I.4



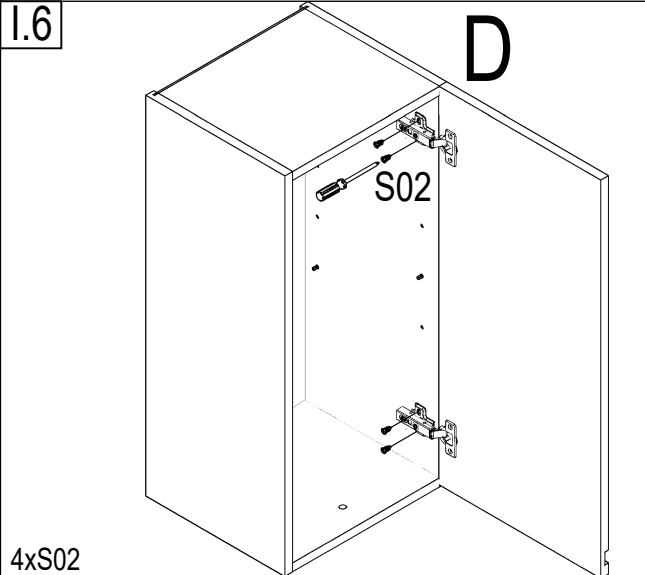
6xS02

I.5

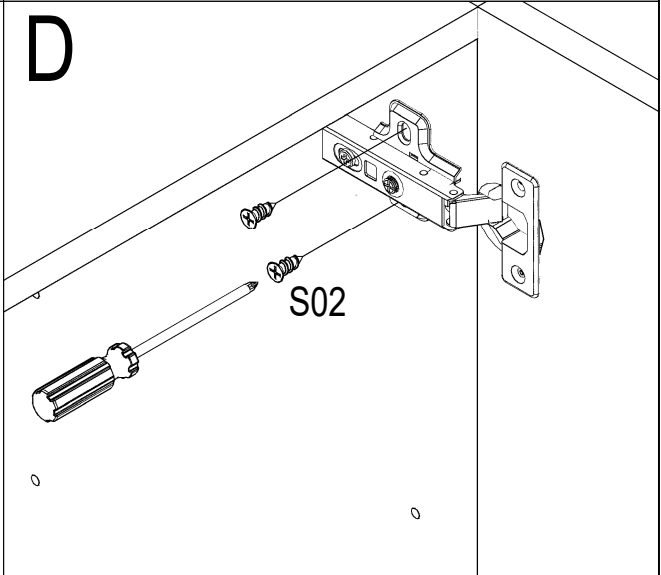


2xB01
4xS02

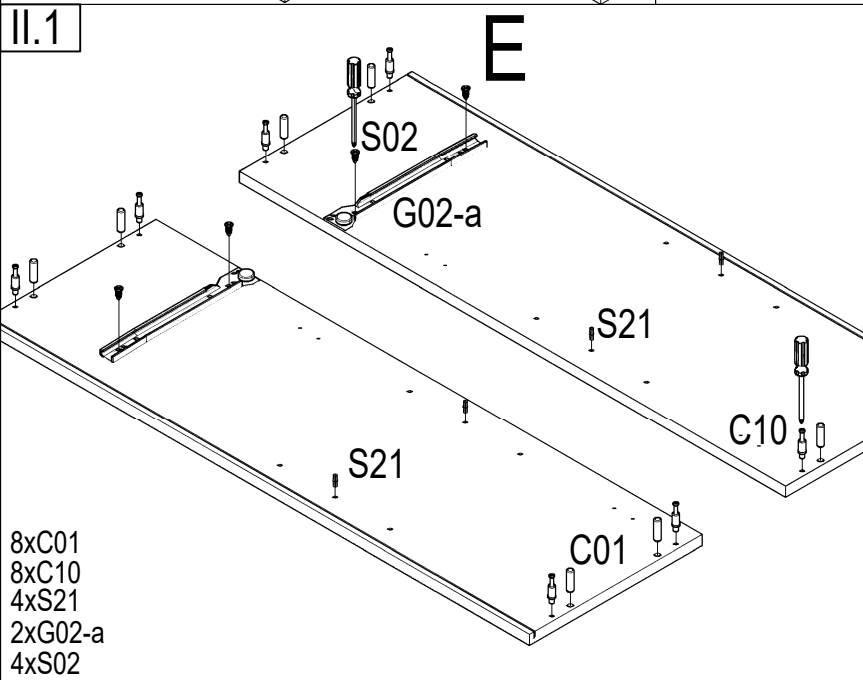
I.6



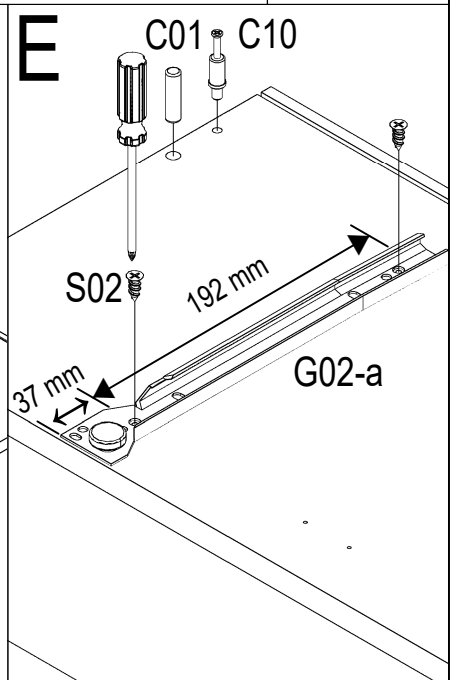
4xS02



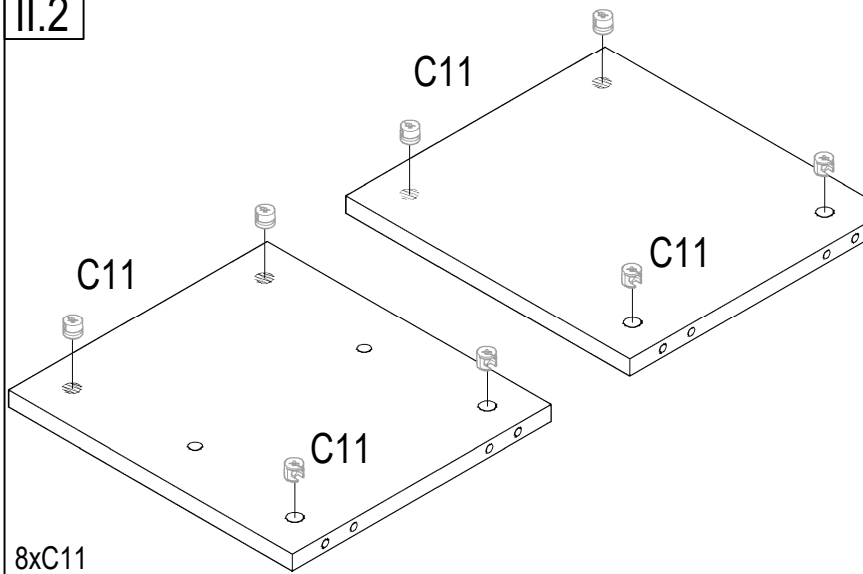
II.1



8xC01
8xC10
4xS21
2xG02-a
4xS02

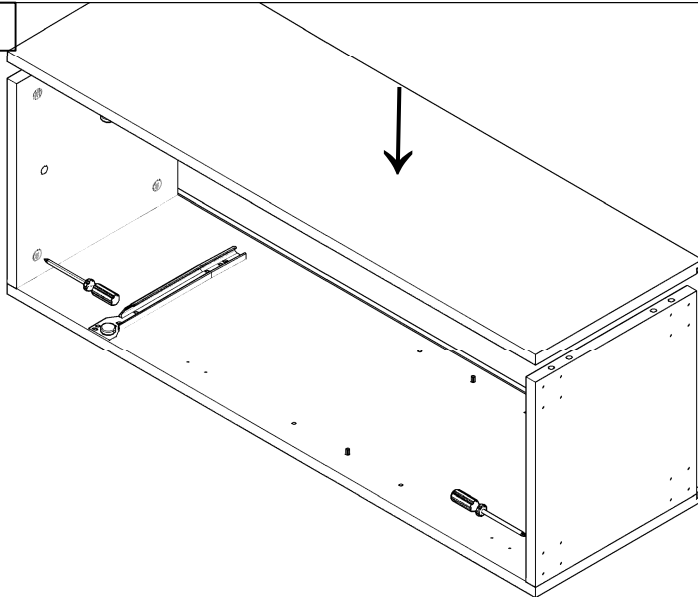


II.2

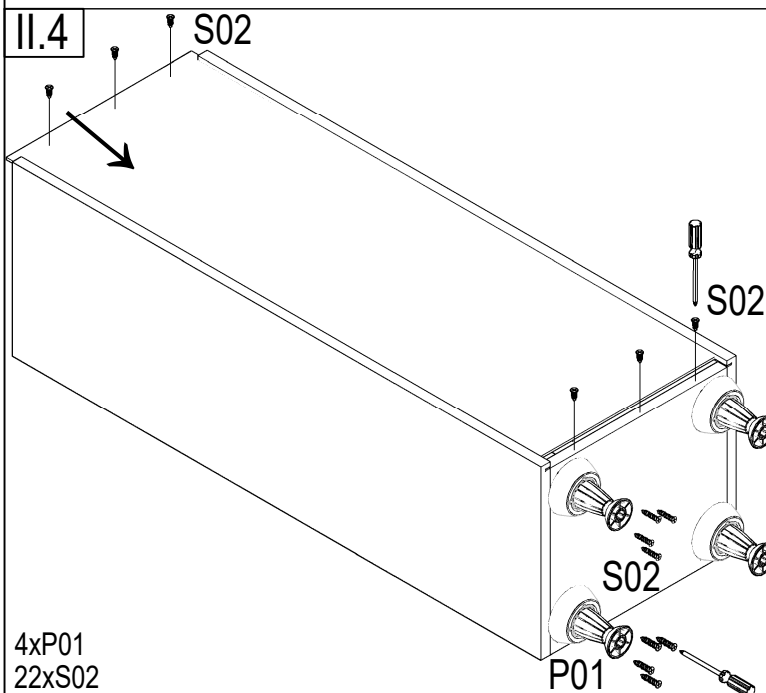


8xC11

II.3

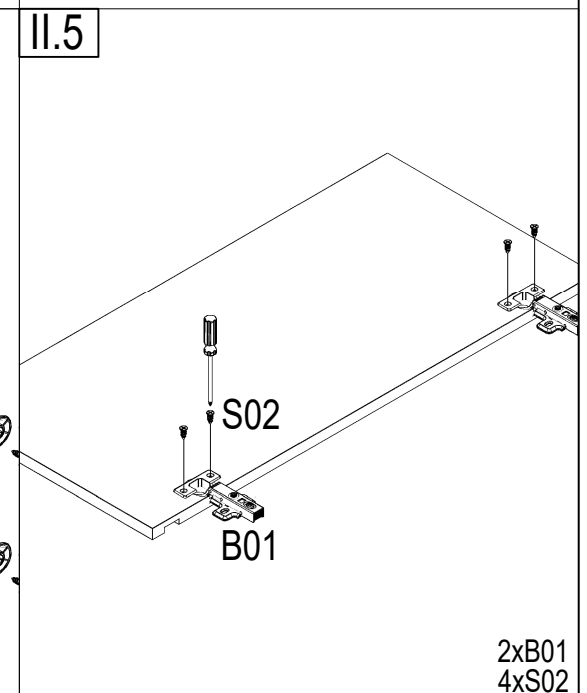


II.4



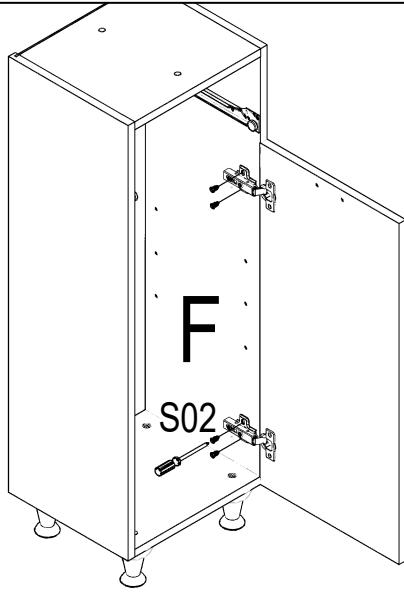
4xP01
22xS02

II.5



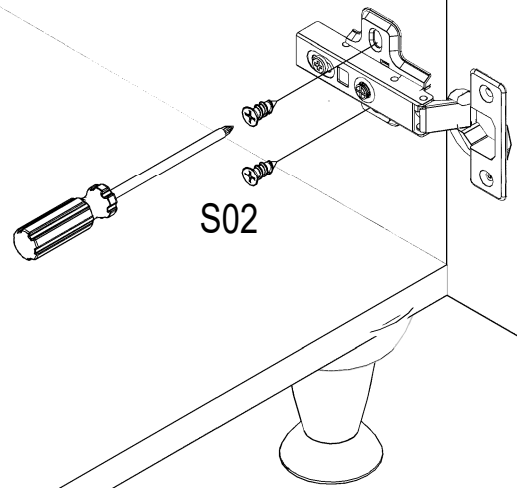
2xB01
4xS02

II.6

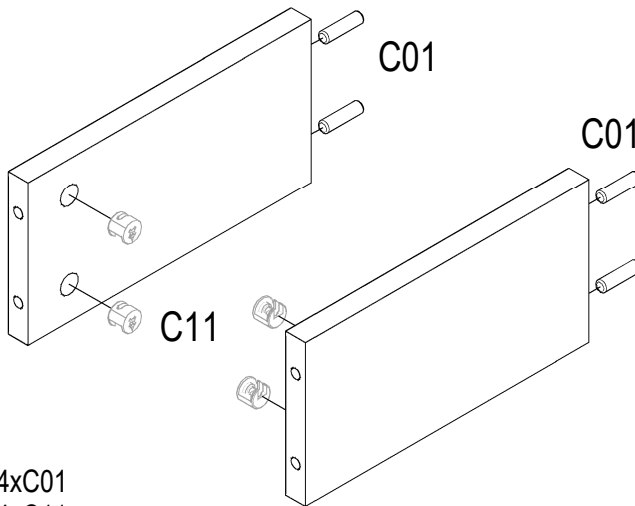


4xS02

F

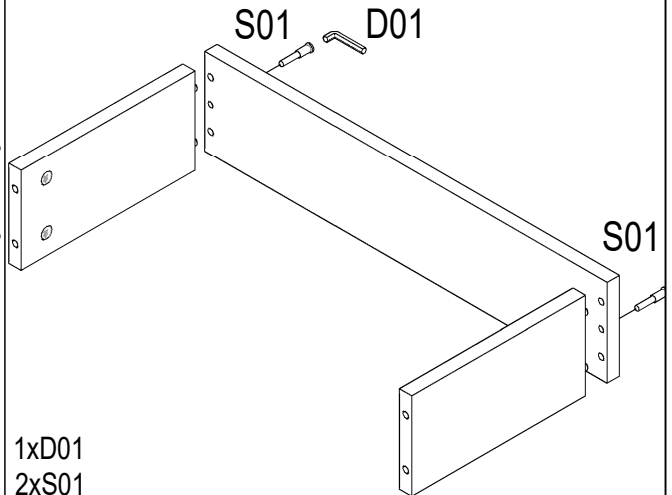


II.7



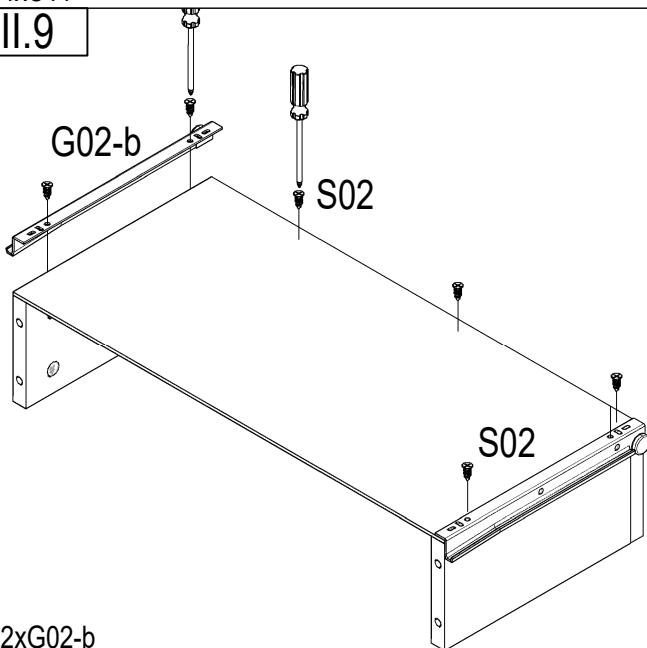
4xC01
4xC11

II.8



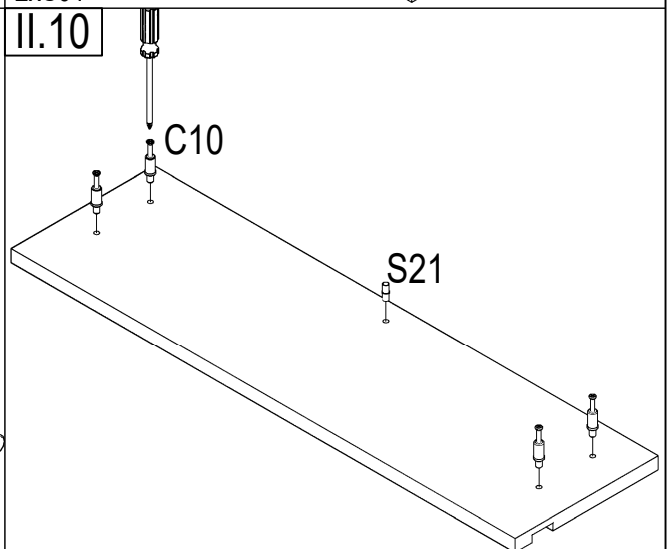
1xD01
2xS01

II.9



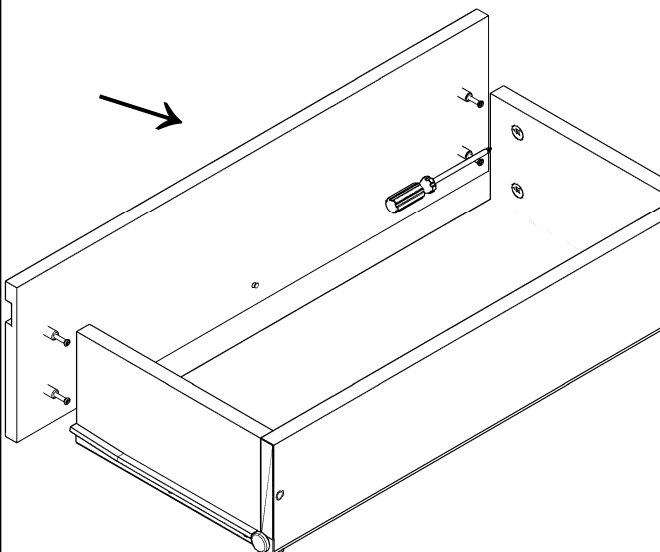
2xG02-b
6xS02

II.10

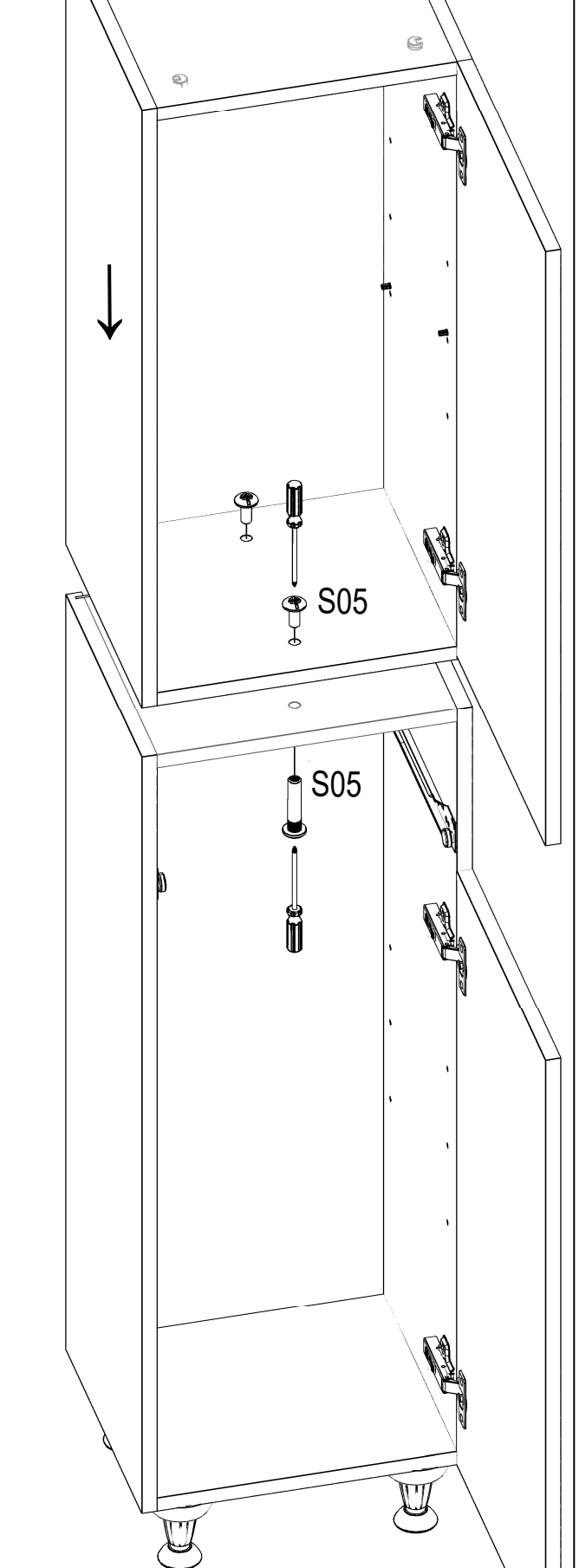


4xC10
1xS21

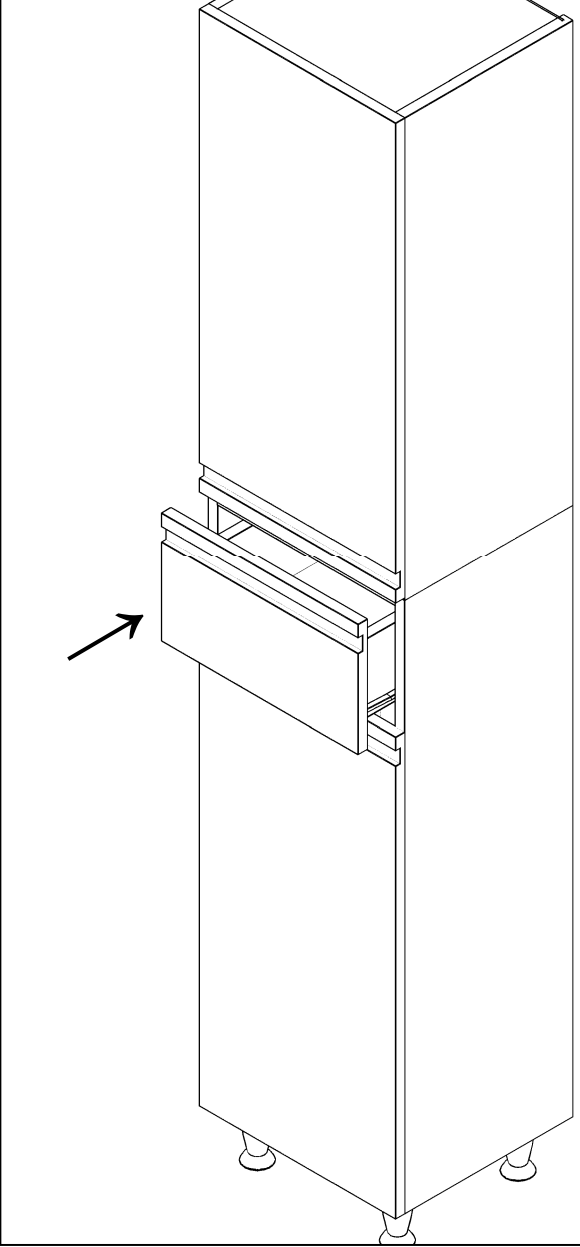
II.11



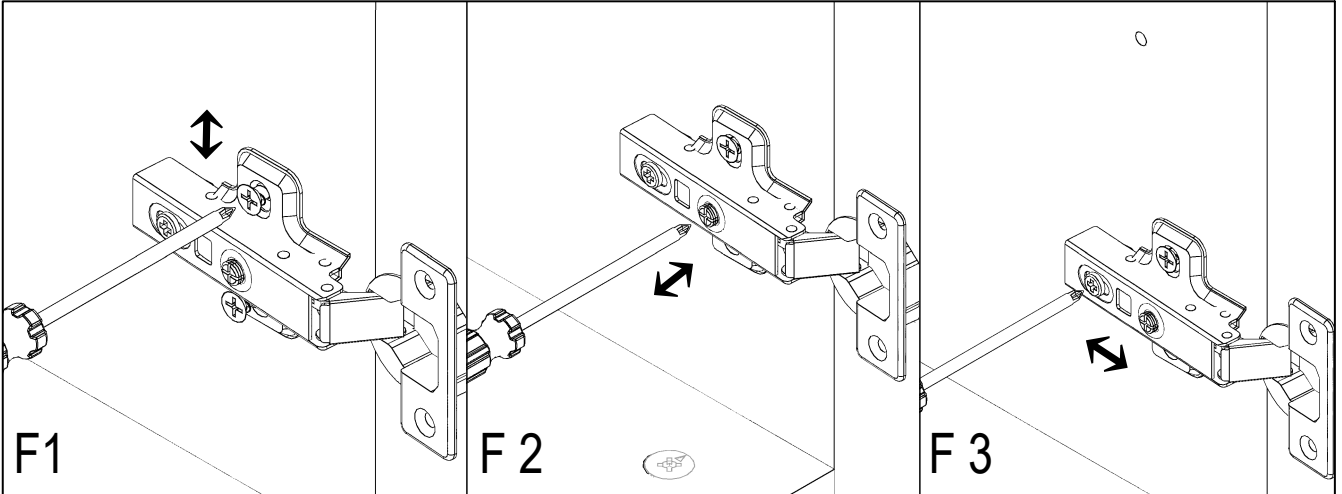
II.12



II.13



2xS05



F1

F2

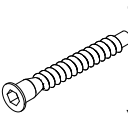



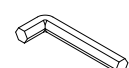
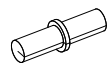
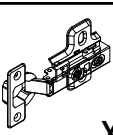
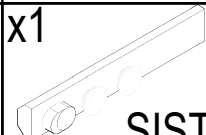
F3

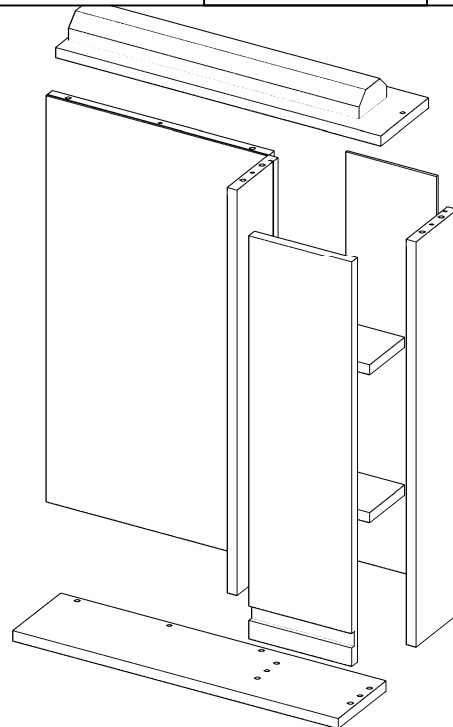
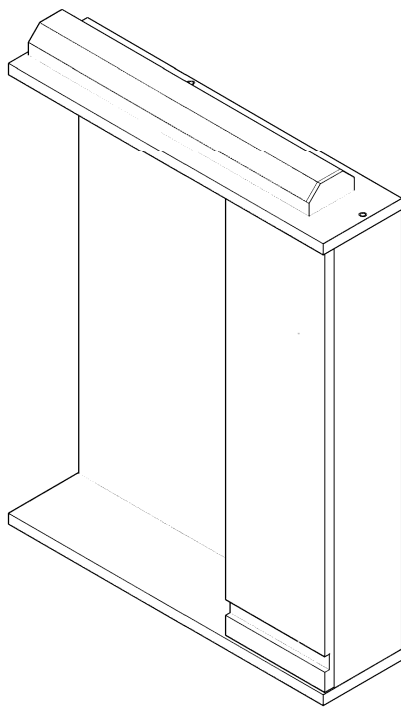
HEIGHT ADJUSTMENT

SIDE ADJUSTMENT

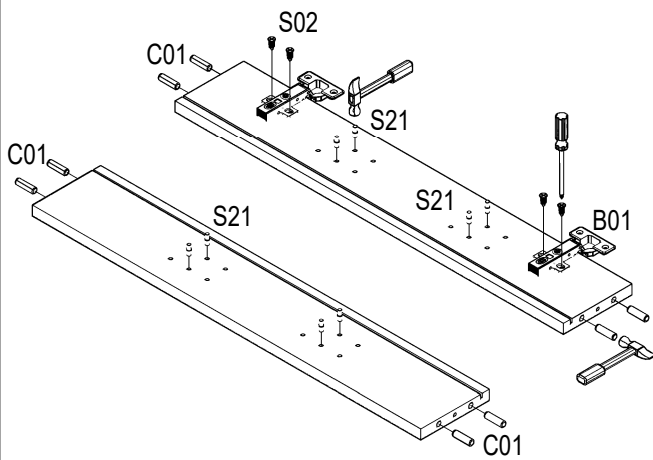
DEPTH ADJUSTMENT

NR.34

 <p>S01 7x50</p>	 <p>S02 3.5x16</p>	 <p>A04</p>	 <p>C01</p>	 <p>D01</p>	 <p>S21</p>
<p>x6</p>	<p>x14</p>	<p>x2</p>	<p>x12</p>	<p>x1</p>	<p>x8</p>
 <p>B01</p>	 <p>S1</p>	<p>SIST.</p>			
<p>x2</p>	<p>x1</p>				

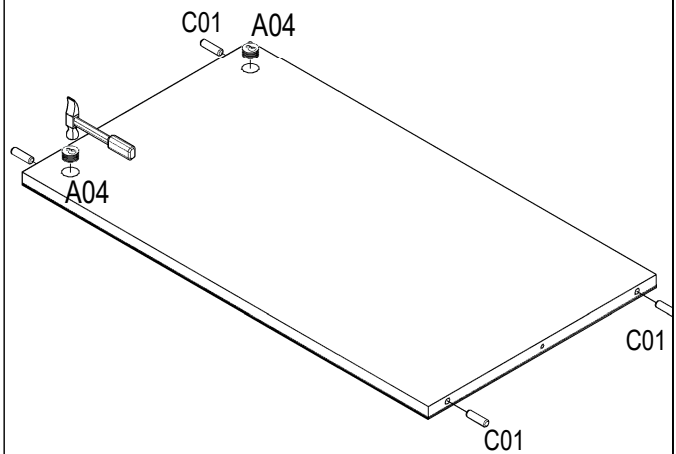


1.



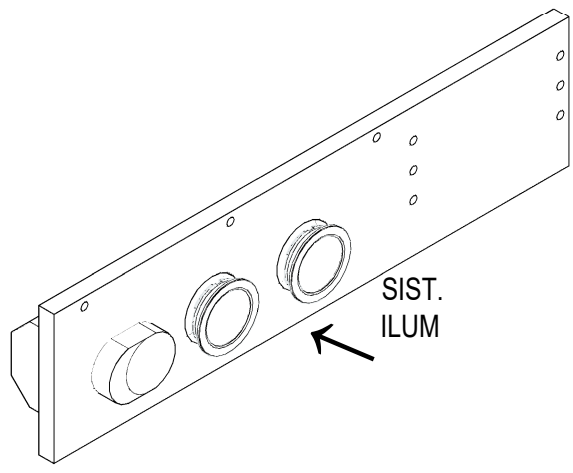
4xB01
4xS02
8xC01
8xS21

2.

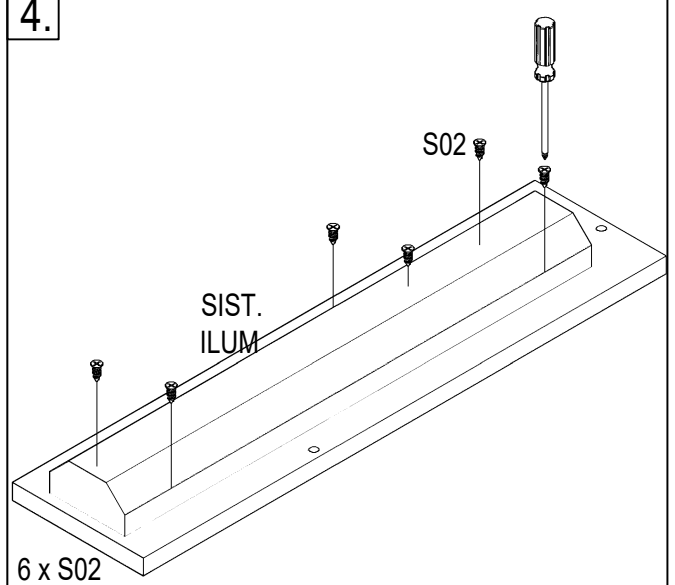


2xA04
4xC01

3.

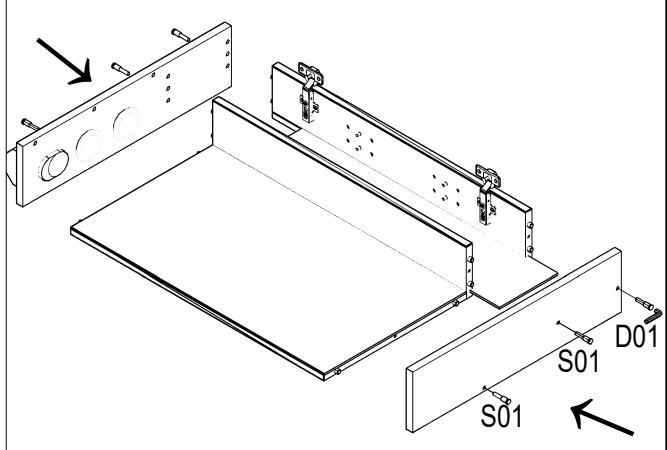


4.



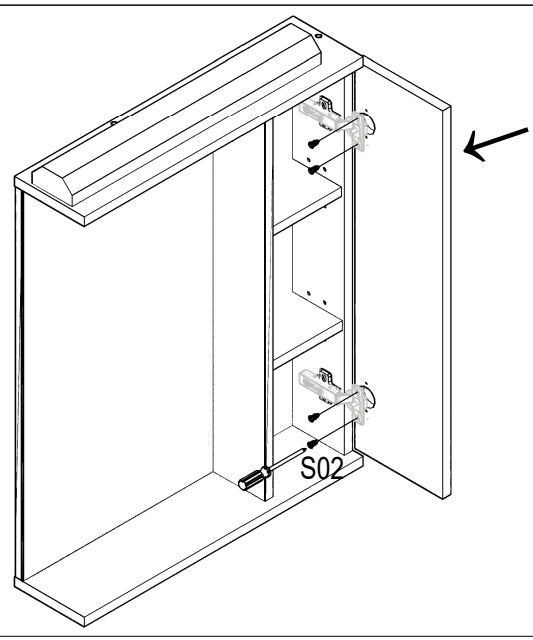
6 x S02
1x SIST. ILUM

5.



6xS01
1xD01

6.



4xS02