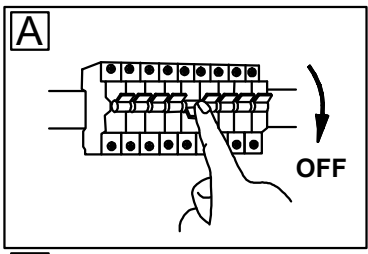
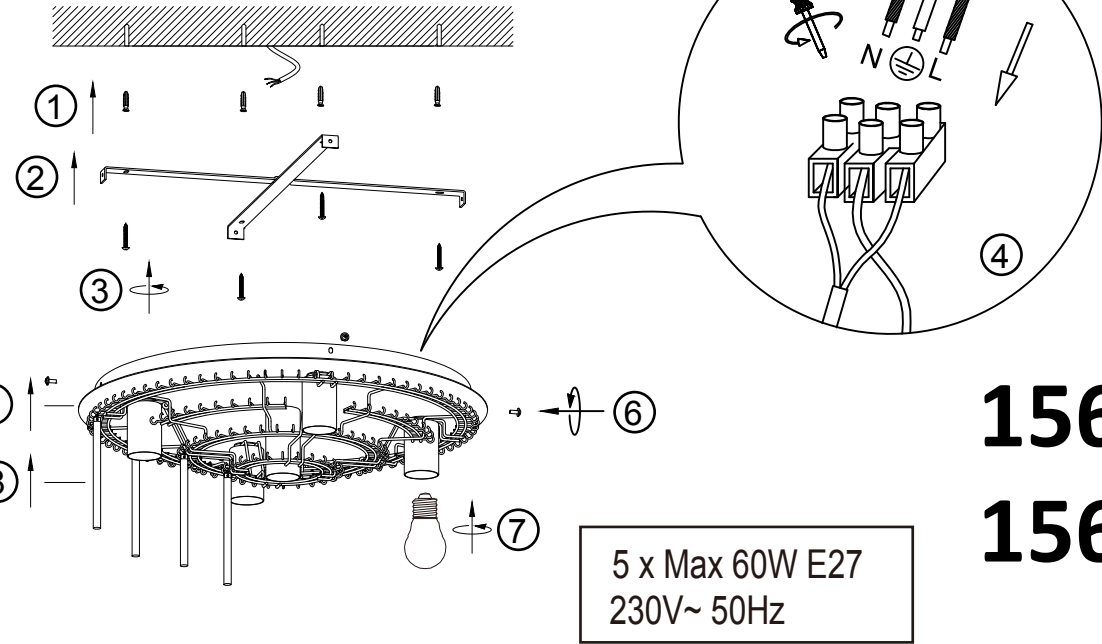


# GLOBO

## LIGHTING

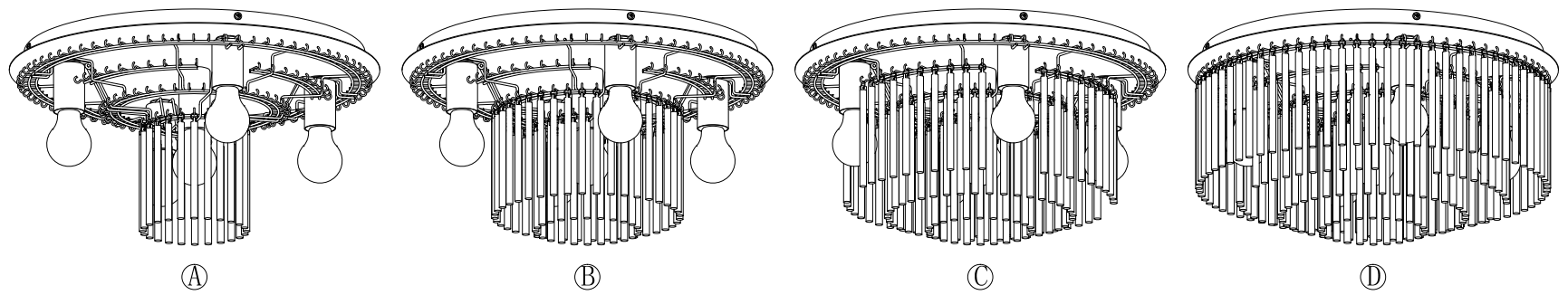


B



**15698D1**  
**15698D1M**

5 x Max 60W E27  
230V~ 50Hz



GLOBO Handels GmbH  
Gewerbestr. 3  
A-9184 Sankt Peter  
Austria  
[www.globo-lighting.com](http://www.globo-lighting.com)  
[office@globo-lighting.com](mailto:office@globo-lighting.com)

