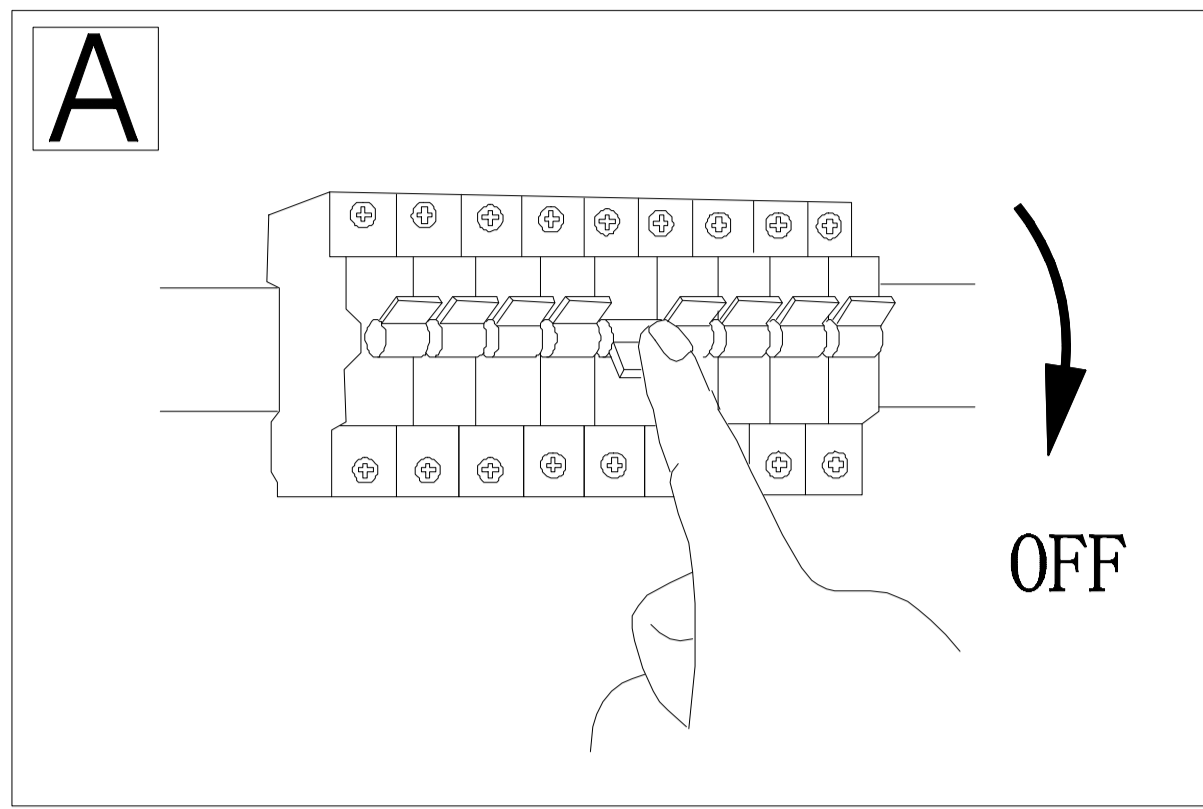


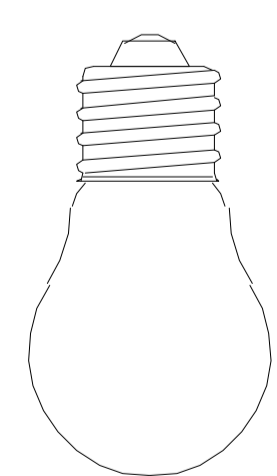
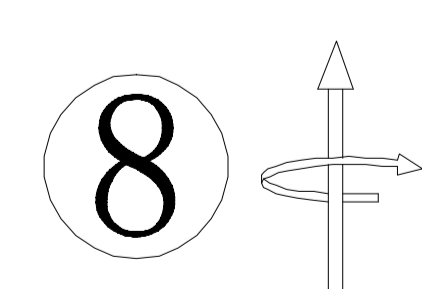
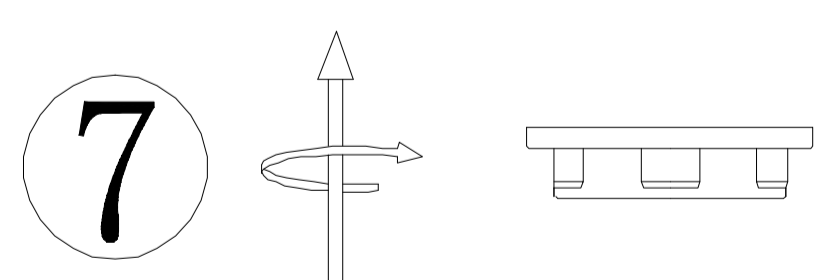
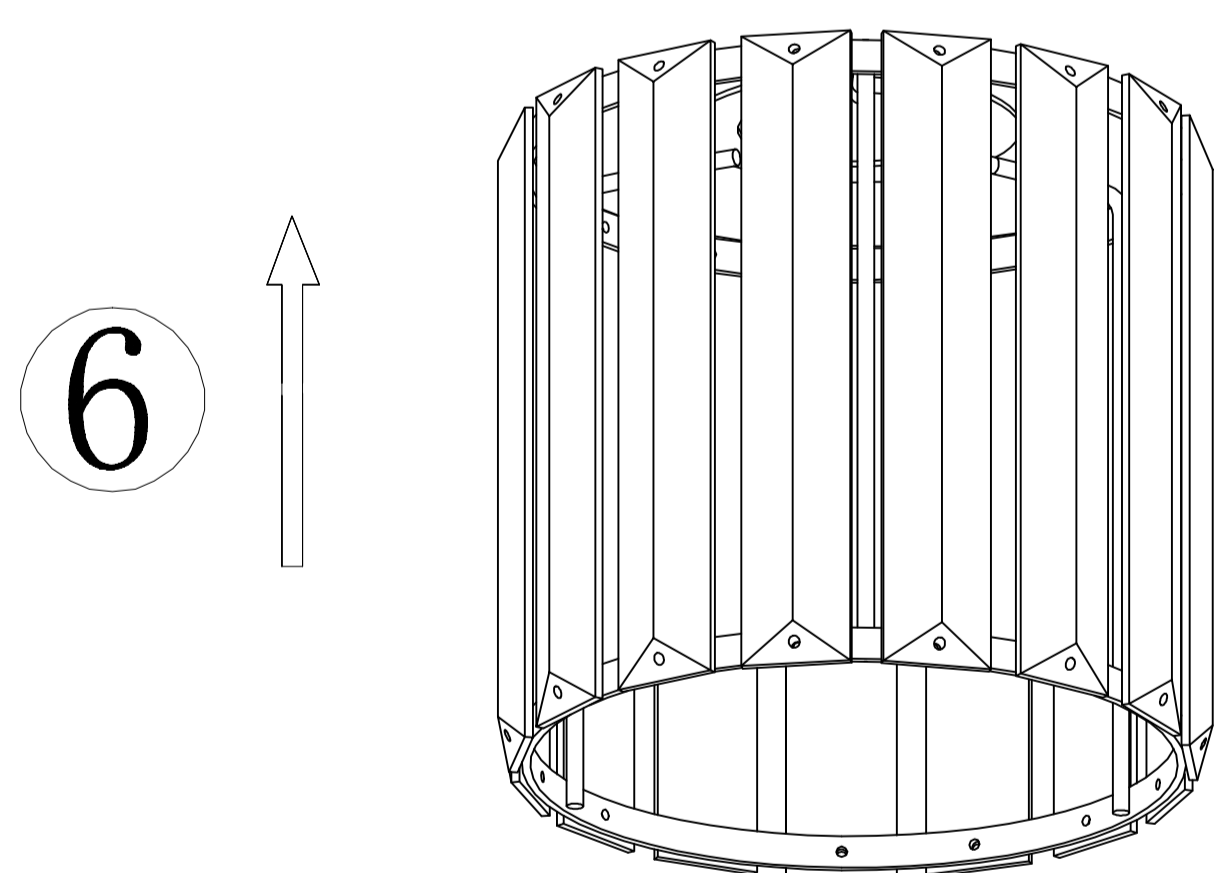
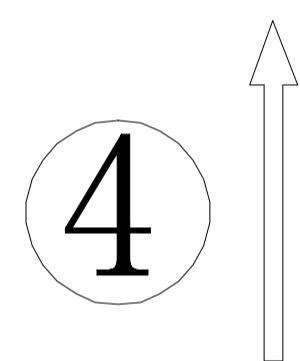
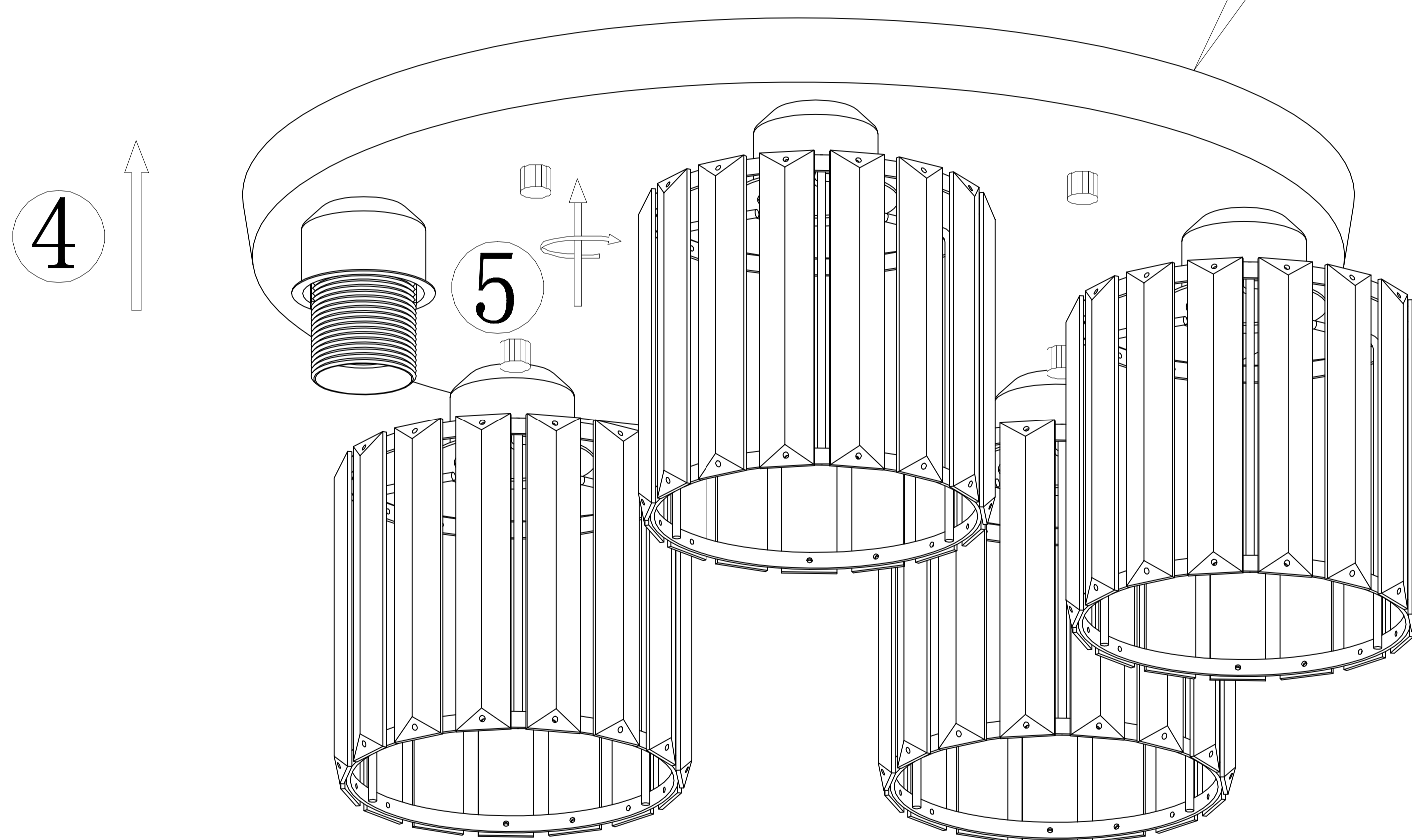
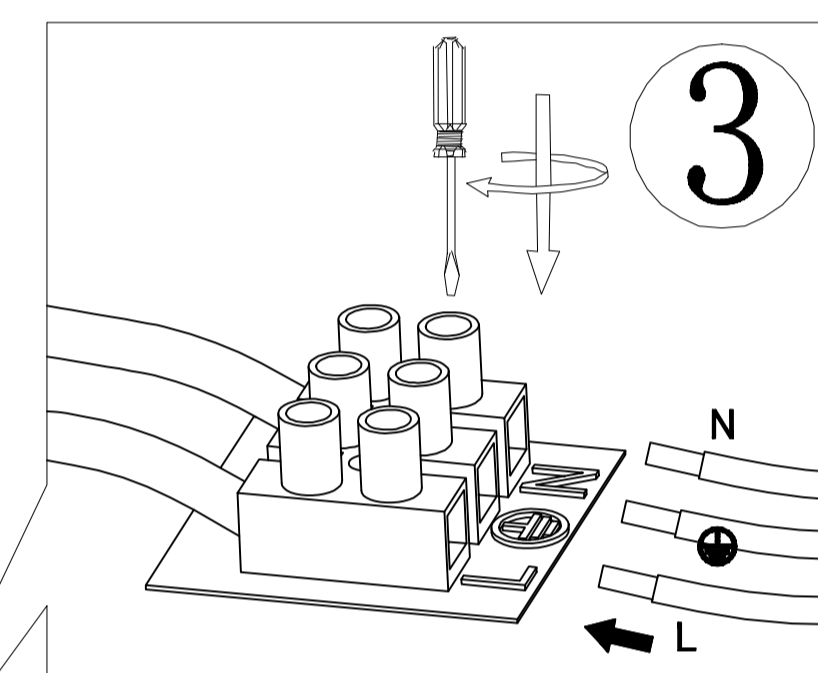
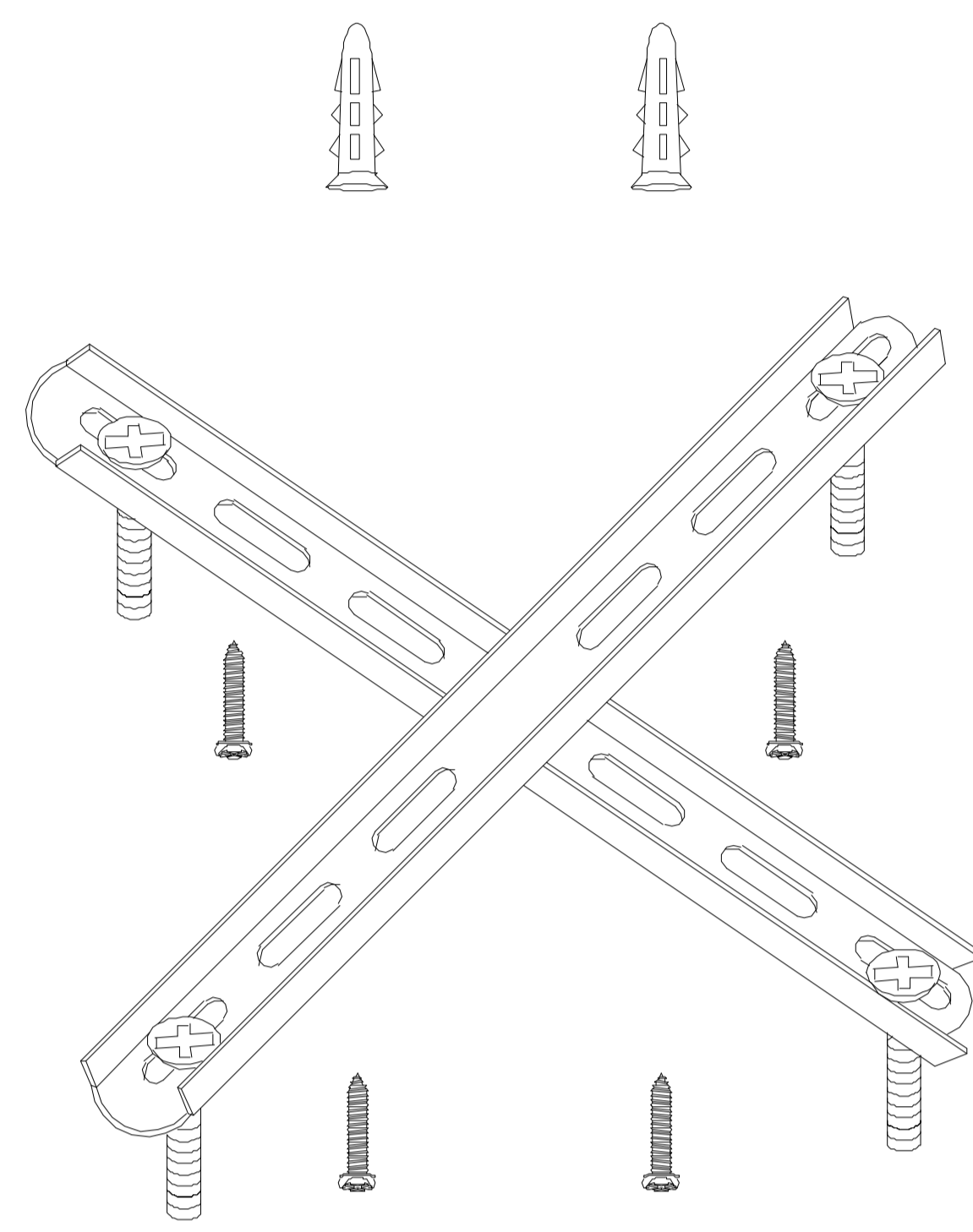
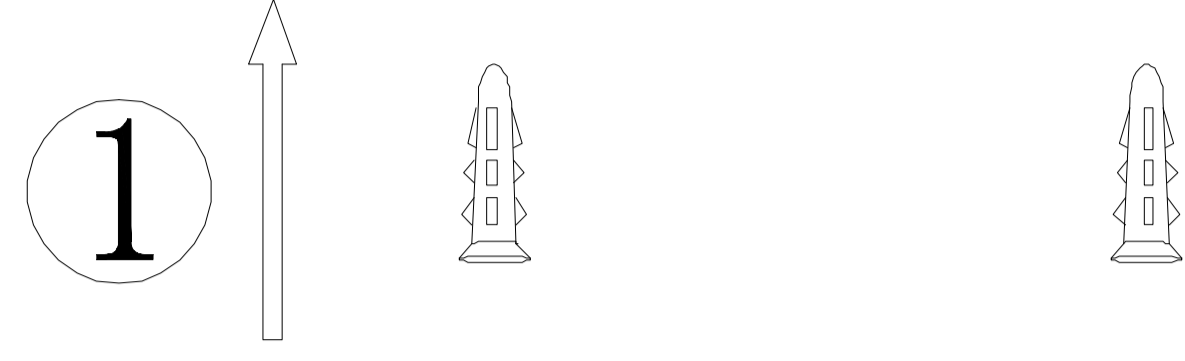
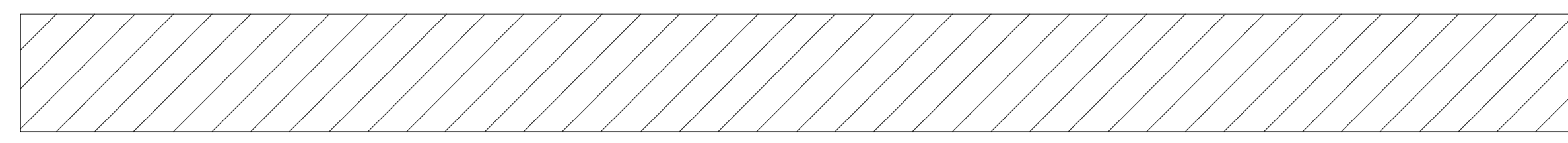
# GLOBO

LIGHTING

15742-5D



B



excl.

5x MAX 60W E27  
220-240V~ 50/60Hz

GLOBO Handels GmbH  
Gewerbestr. 3  
A-9184 Sankt Peter  
Austria  
www.globo-lighting.com  
office@globo-lighting.com

