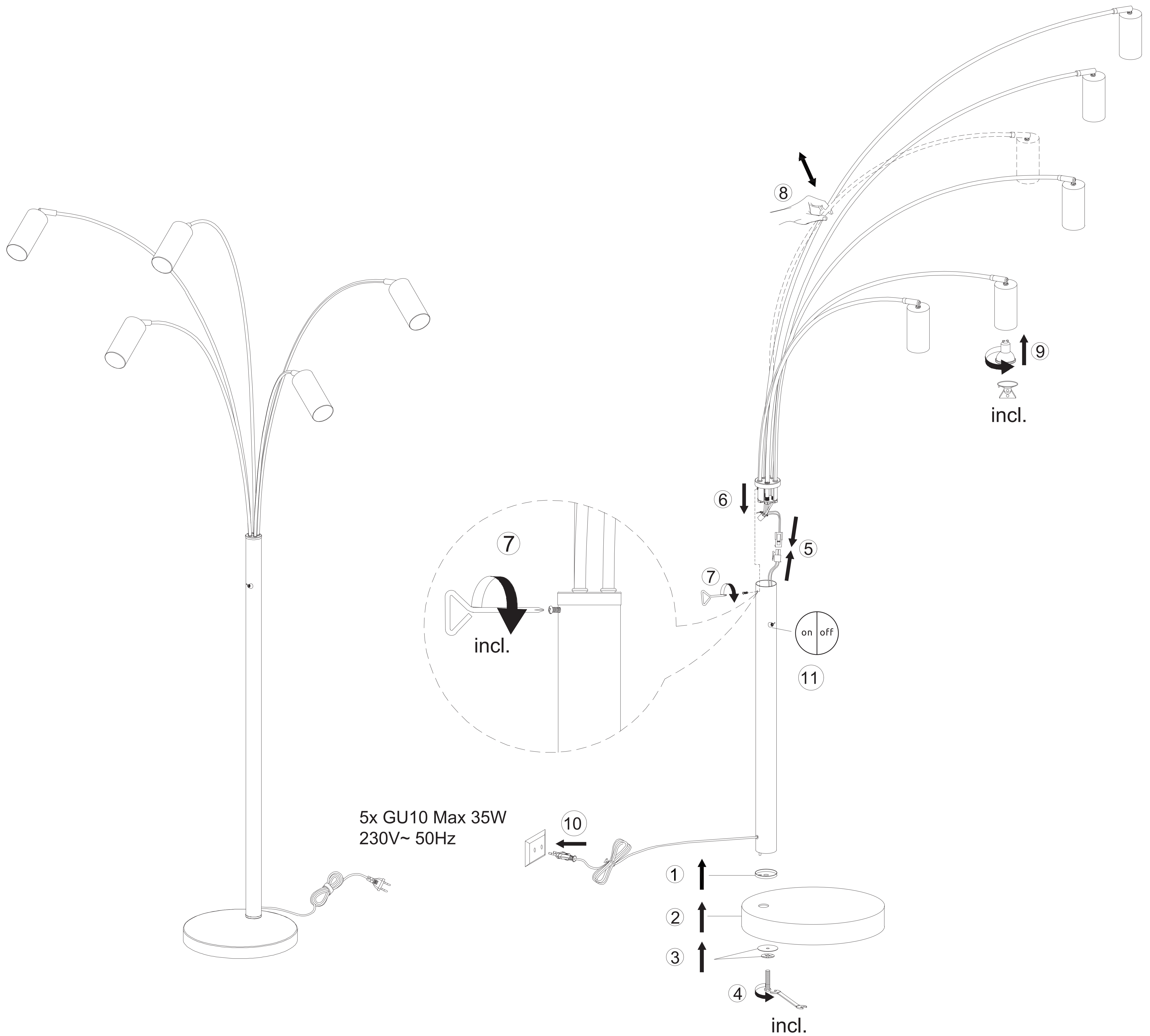
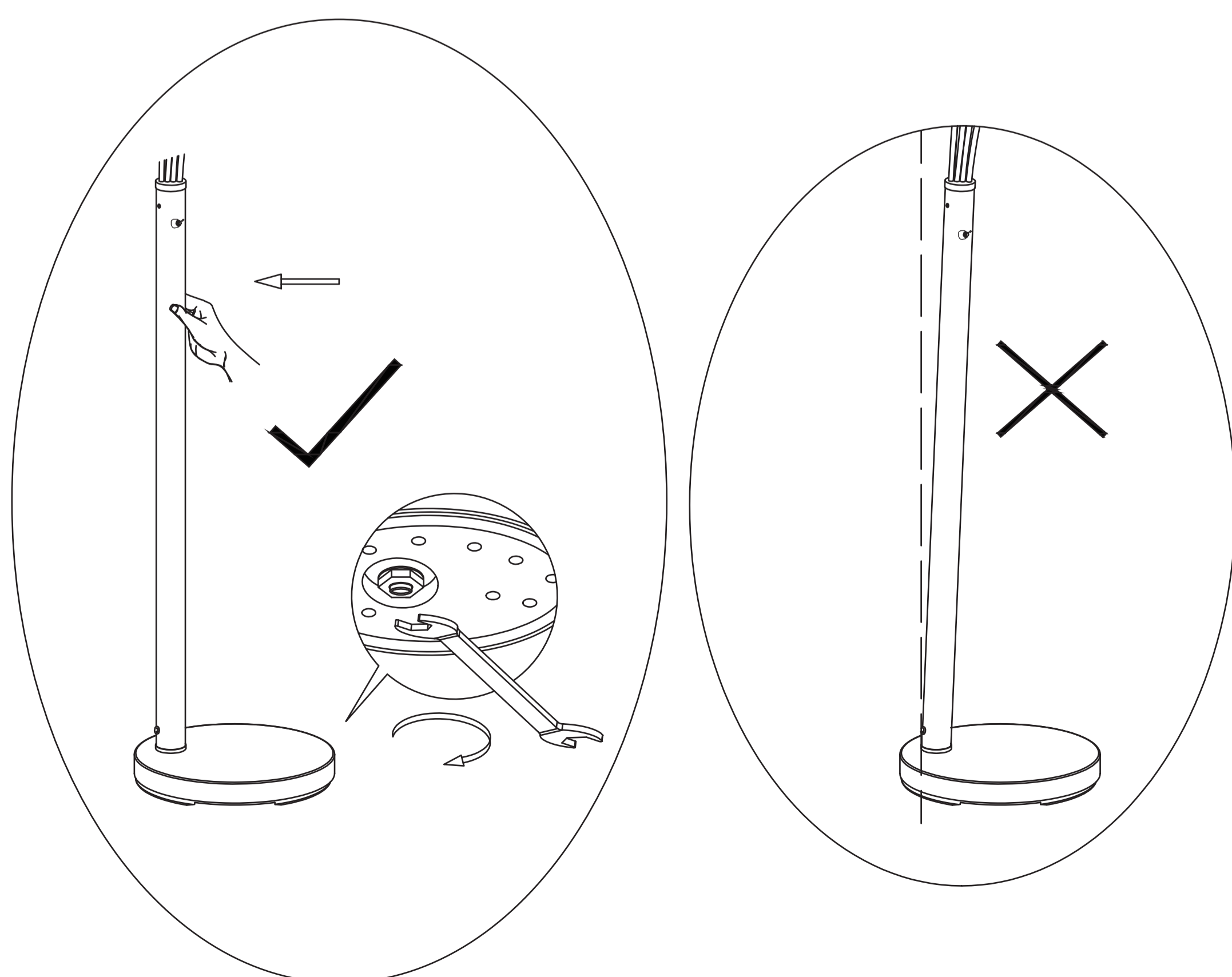


# GLOBO

LIGHTING  
57910-5S



5x GU10 Max 35W  
230V~ 50Hz



GLOBO Handels GmbH  
Gewerbestr. 3  
A-9184 Sankt Peter, AUSTRIA  
[www.globo-lighting.com](http://www.globo-lighting.com)  
[office@globo-lighting.com](mailto:office@globo-lighting.com)