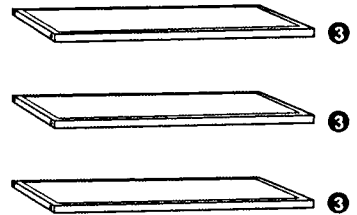
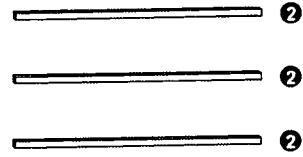
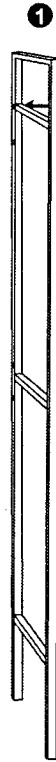
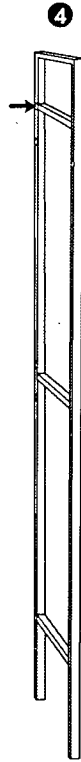
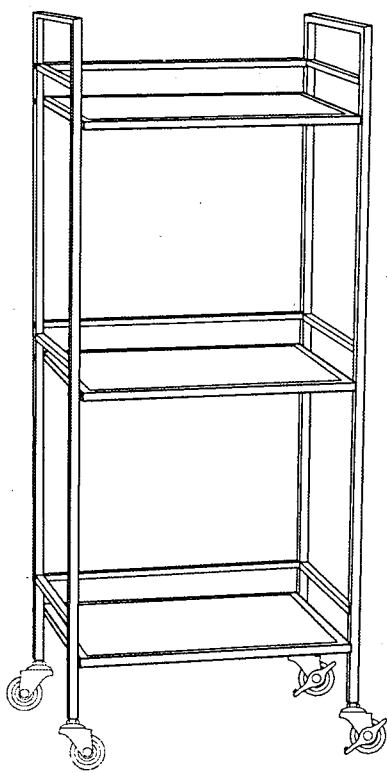


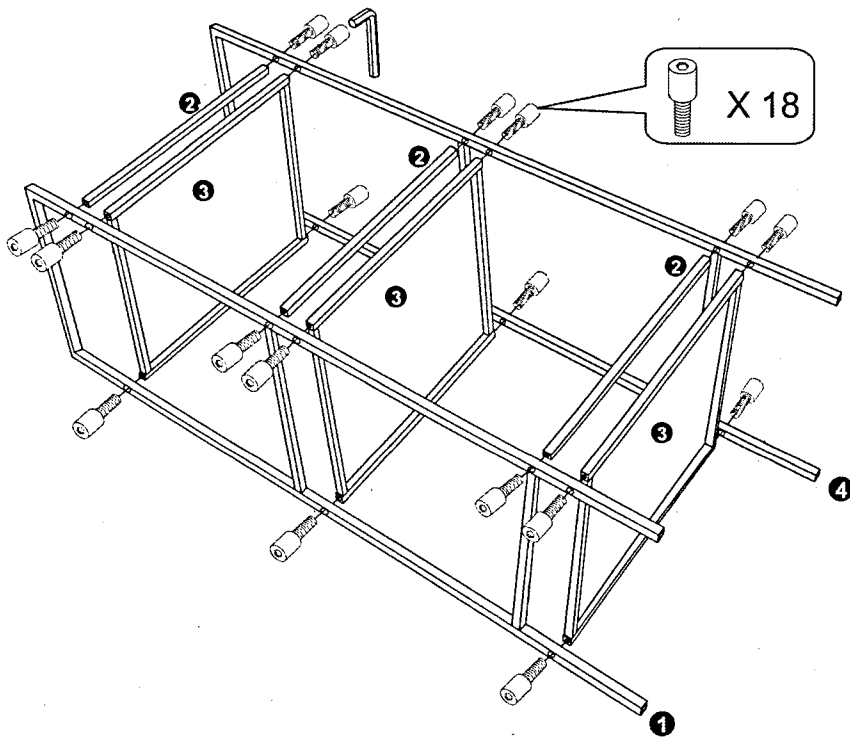
54522

PO 104314

Version: V1.0
Date: 12.16.2023



STEP 1



STEP 2

