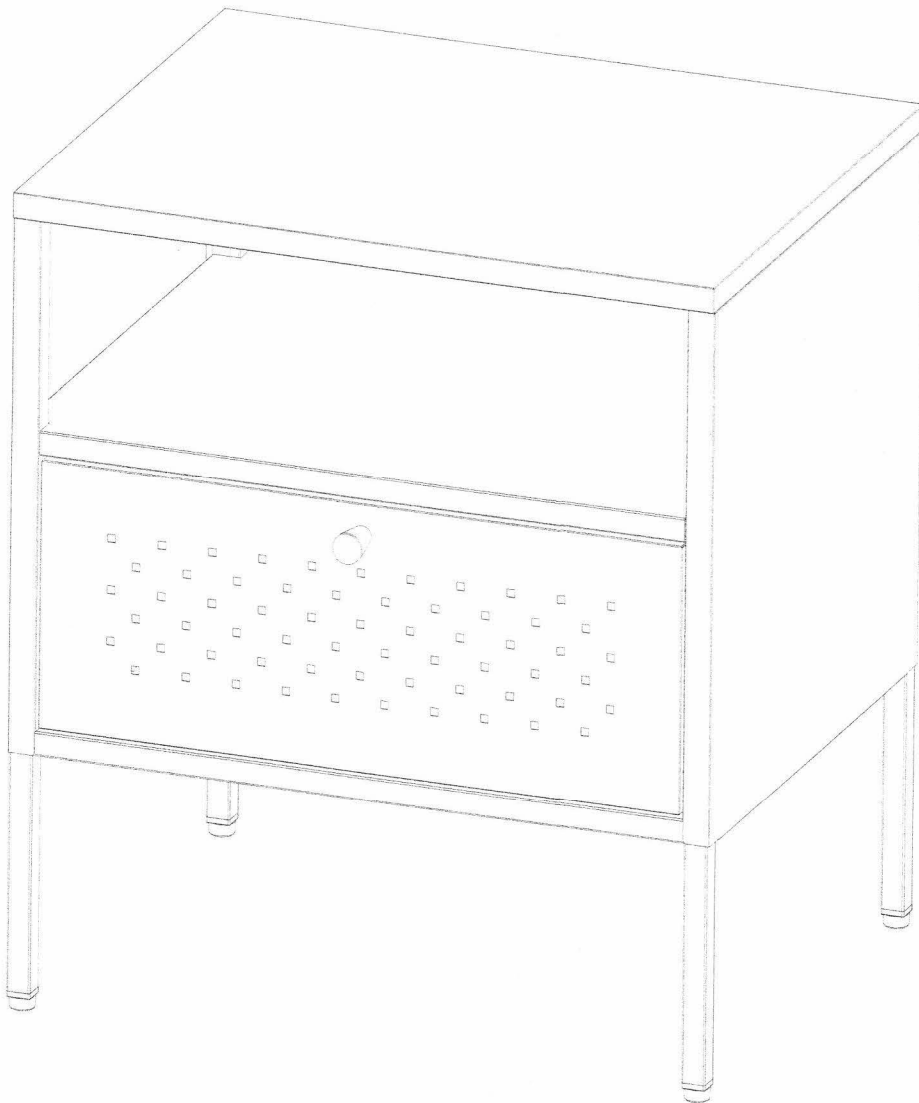
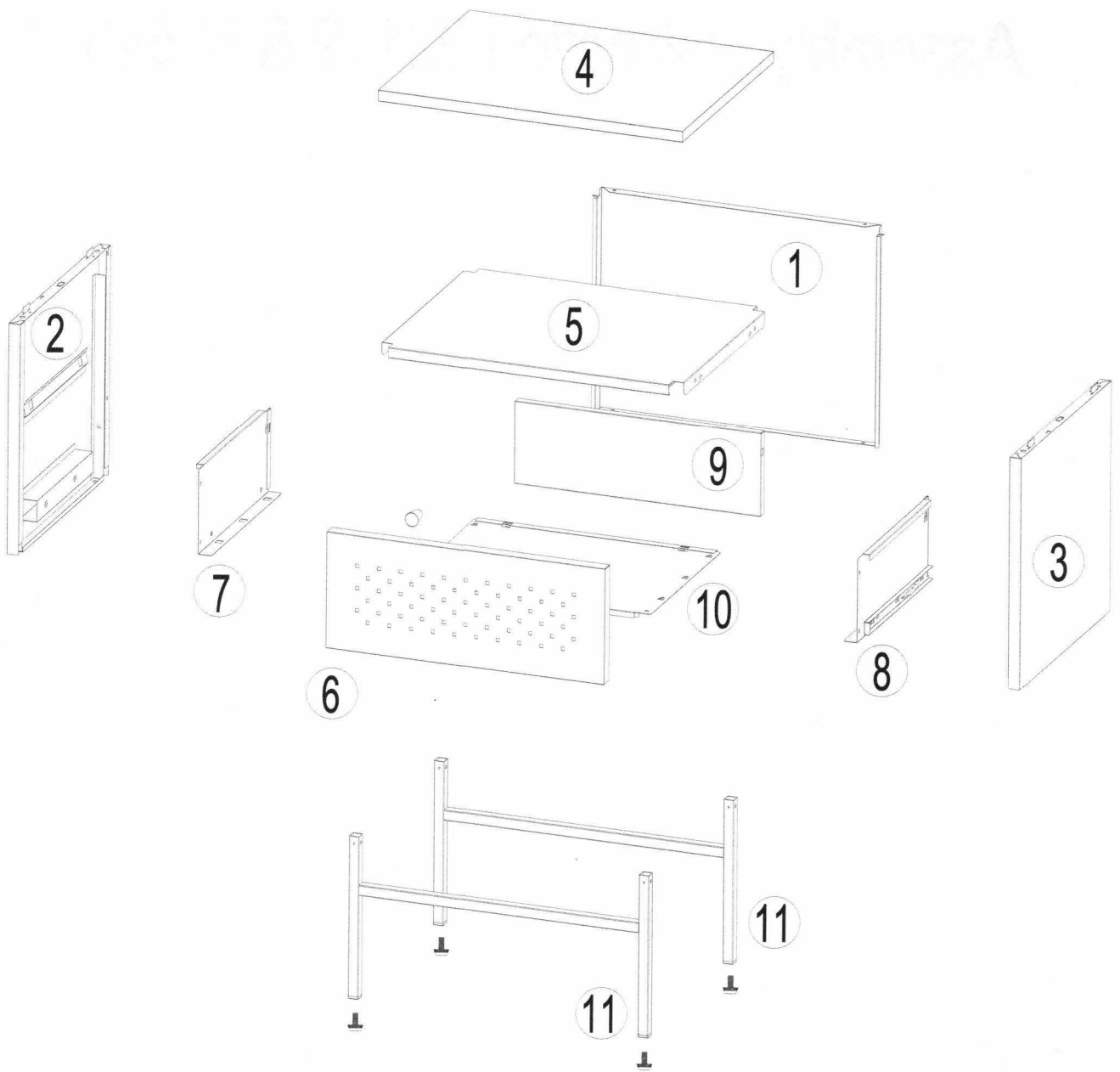
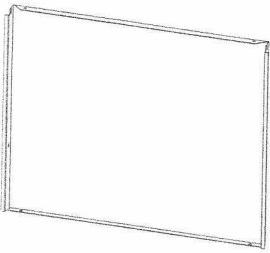
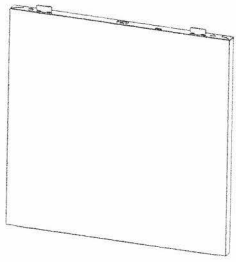
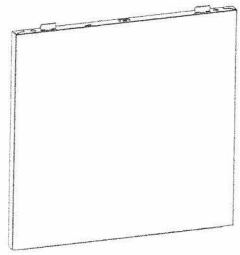
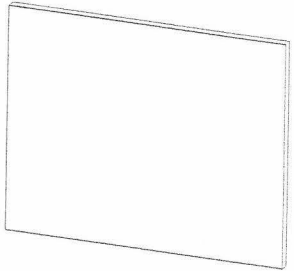
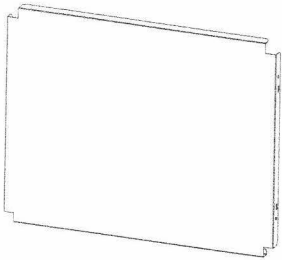
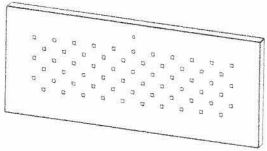
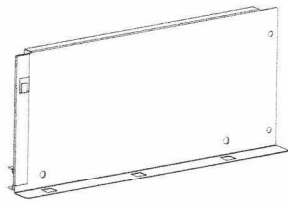
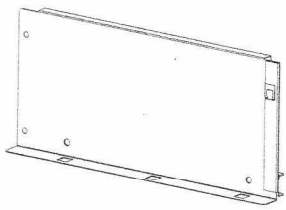
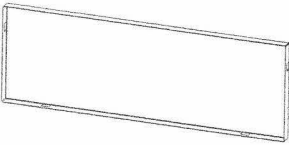

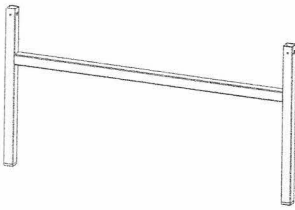
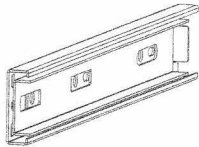
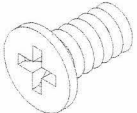
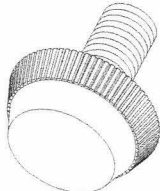


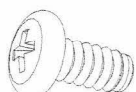


# Assembly Instruction 52149 & 52549

Pof# 104231

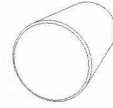




<p>①</p>  <p>x1</p>	<p>②</p>  <p>x1</p>	<p>③</p>  <p>x1</p>	<p>④</p>  <p>x1</p>
<p>⑤</p>  <p>x1</p>	<p>⑥</p>  <p>x1</p>	<p>⑦</p>  <p>x1</p>	<p>⑧</p>  <p>x1</p>
<p>⑨</p>  <p>x1</p>	<p>⑩</p>  <p>x1</p>	<p>⑪</p>  <p>x2</p>	<p>A</p>  <p>x2</p>
<p>B</p>  <p>M4x10mm x4</p>	<p>C</p>  <p>x4</p>	<p>D</p>  <p>x1</p>	<p>E</p>  <p>M4x5mm x1</p> <p>F</p>  <p>M4x8mm x15</p>

1

D



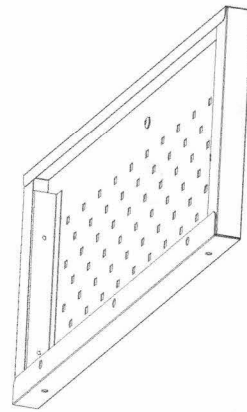
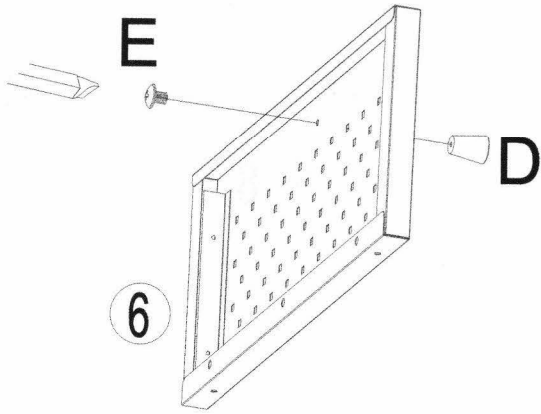
x1

E



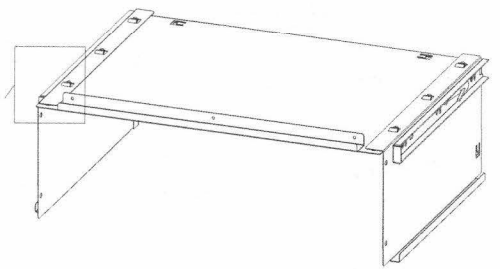
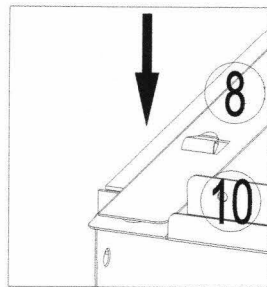
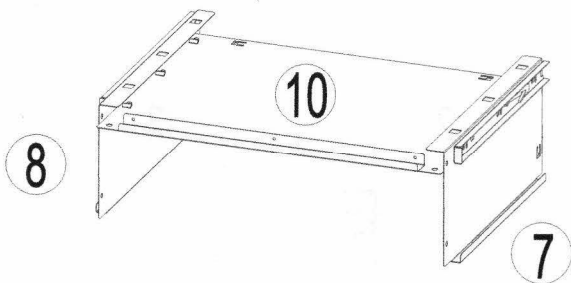
M4x5mm

x1

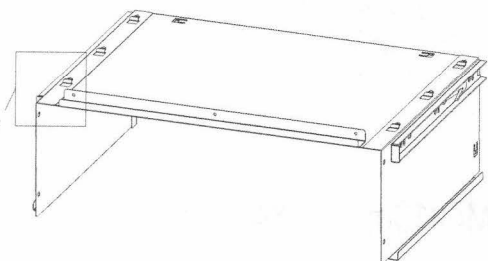
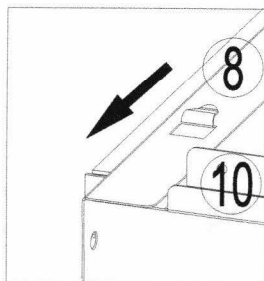
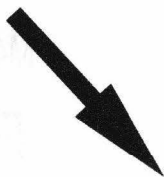


2

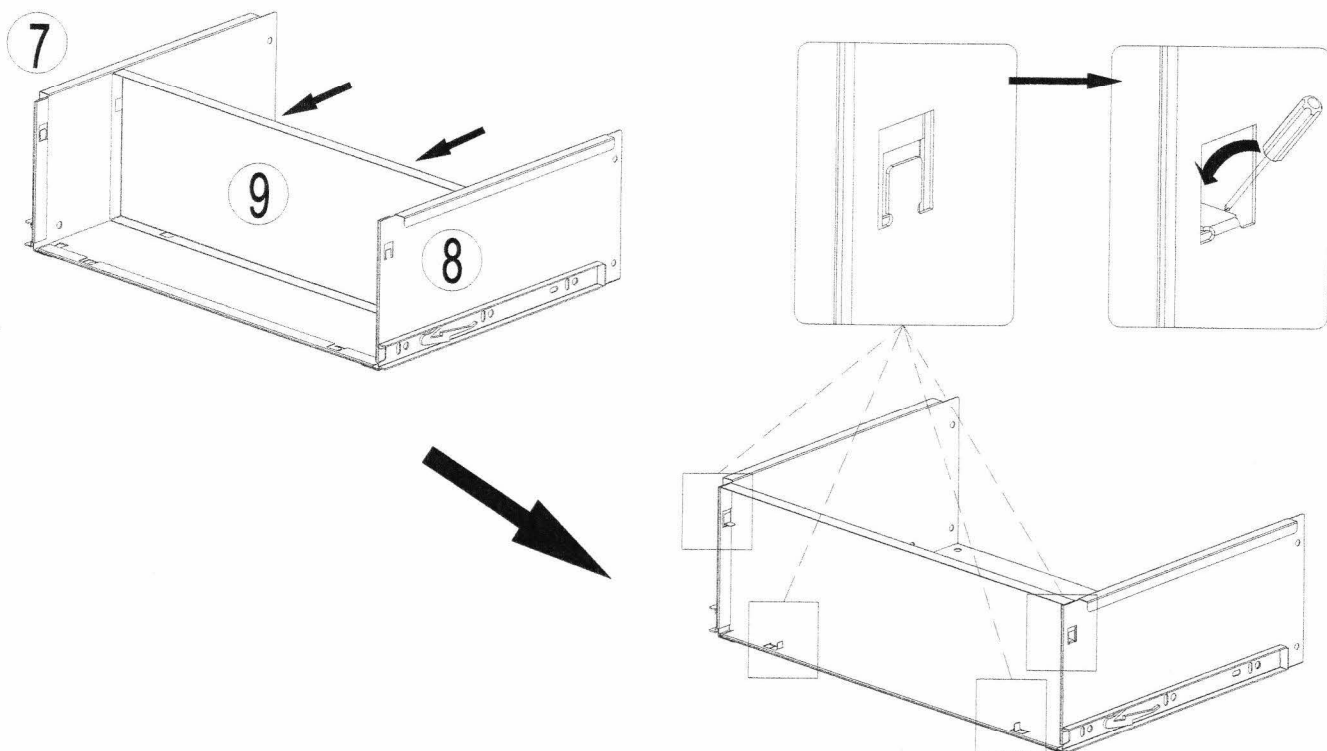
First step



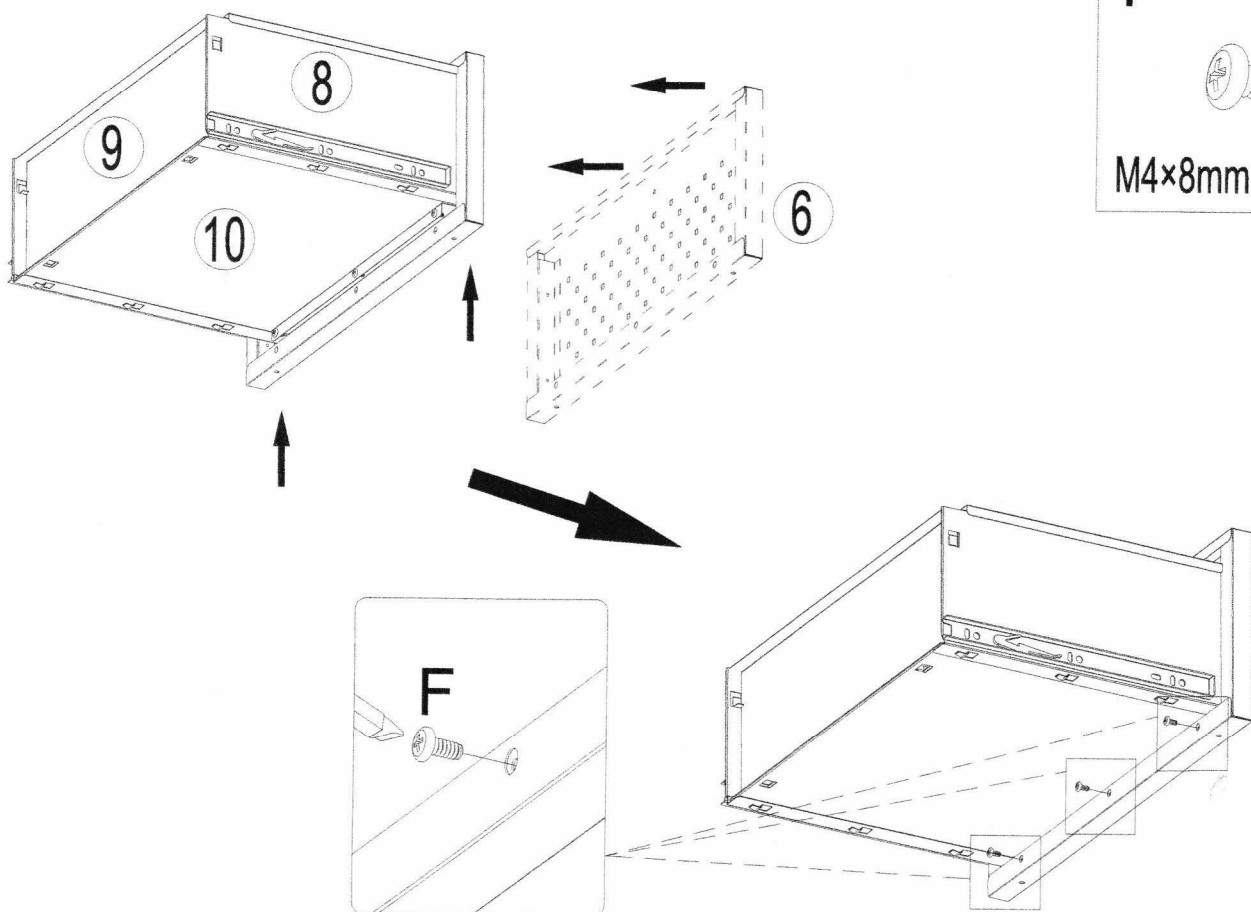
Second step



3



4

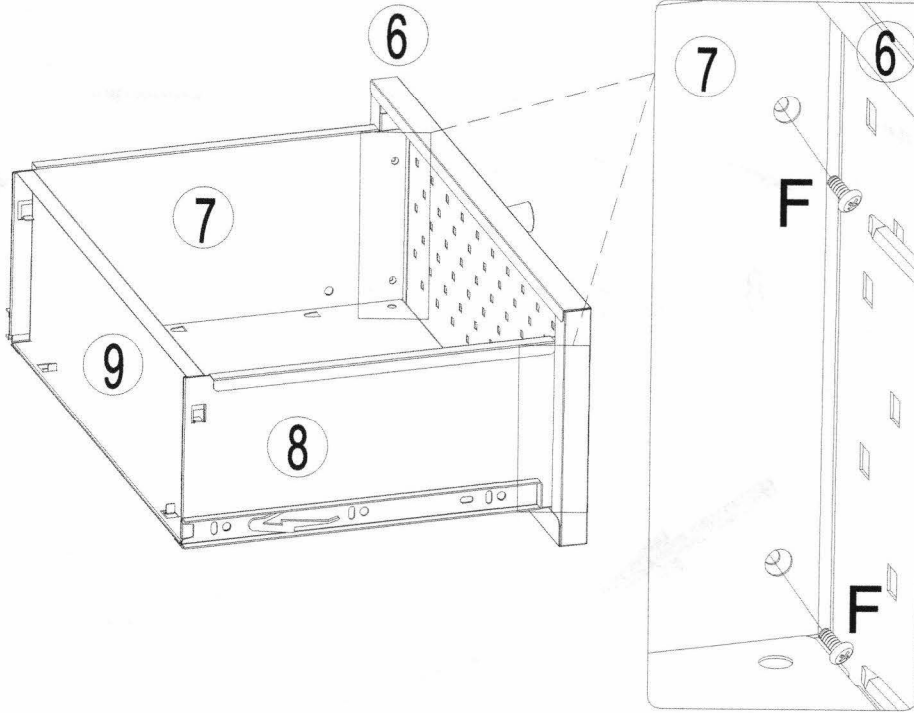


F

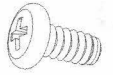


M4×8mm ×3

5

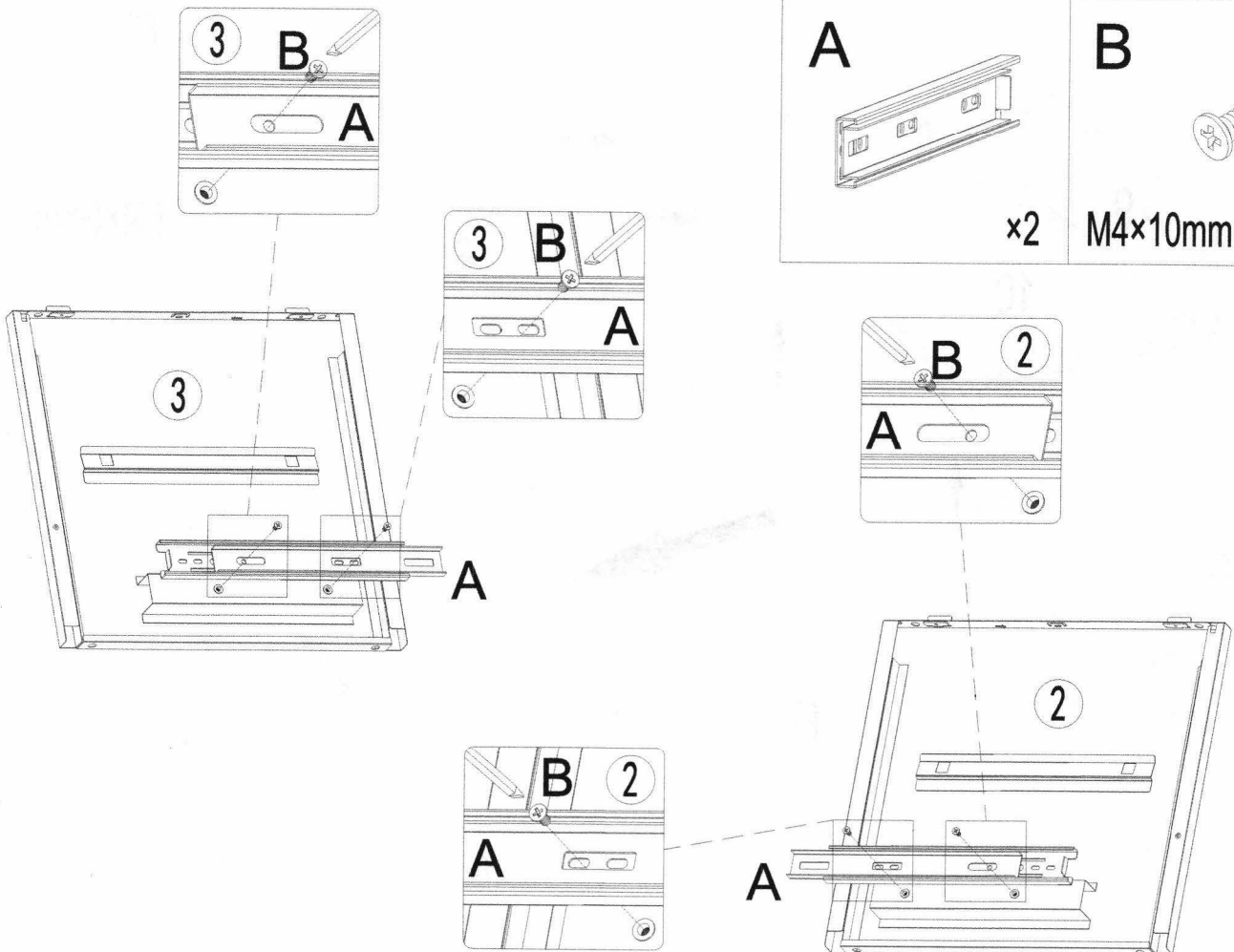


F

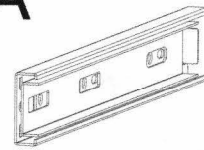


M4x8mm x4

6



A



x2

B



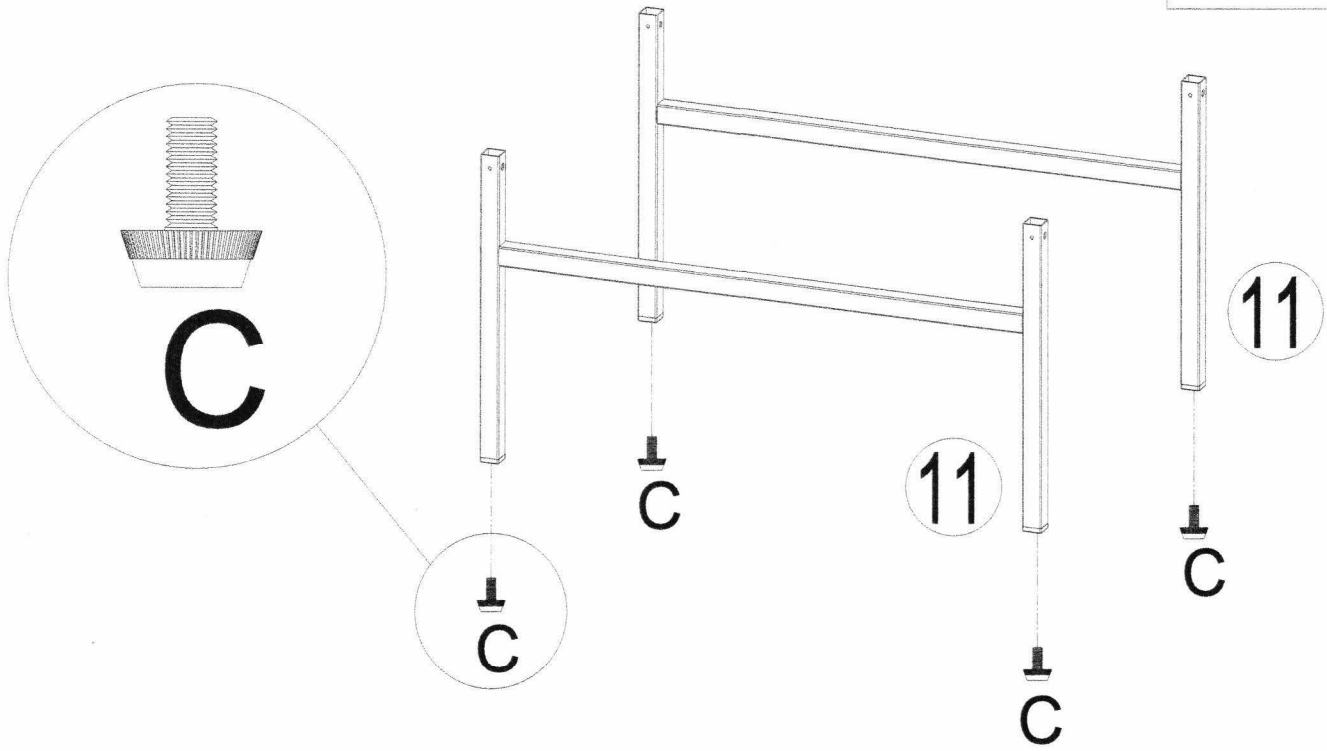
M4x10mm x4

7

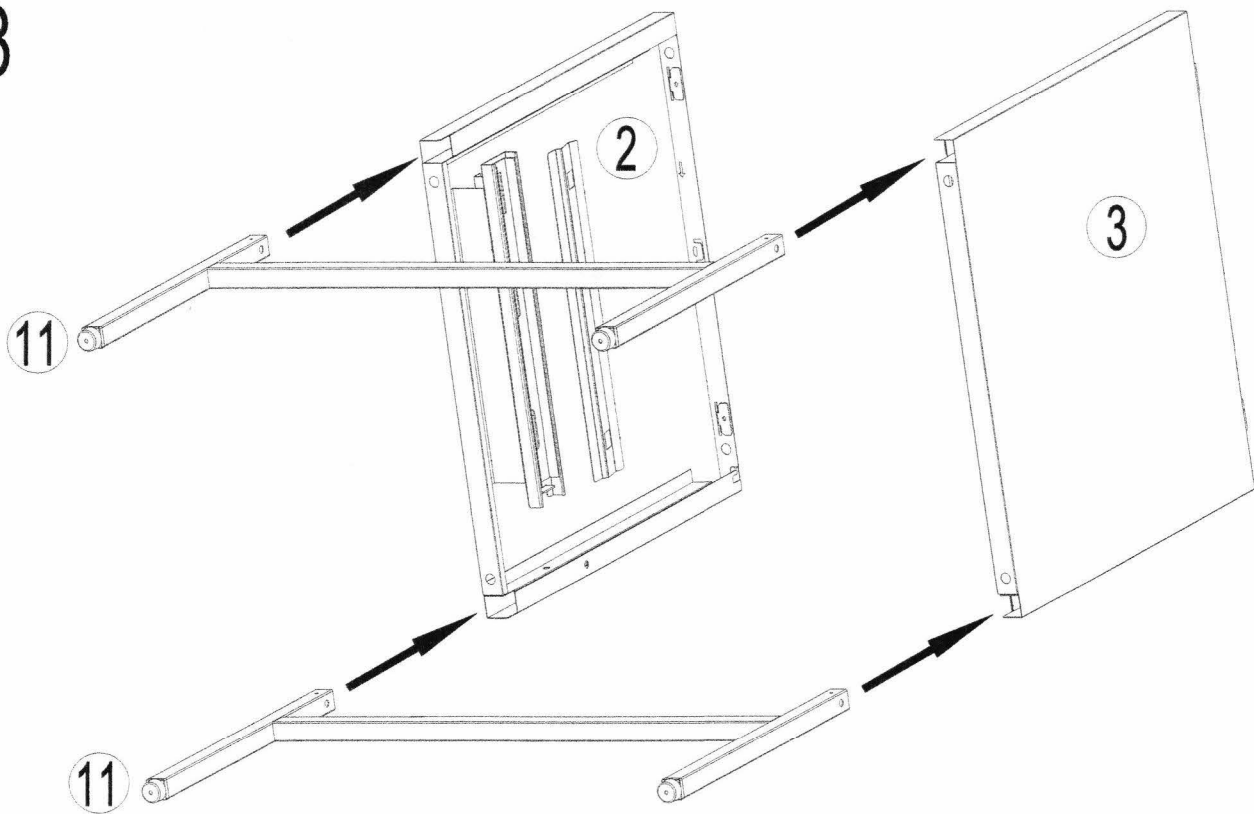
C



x4



8

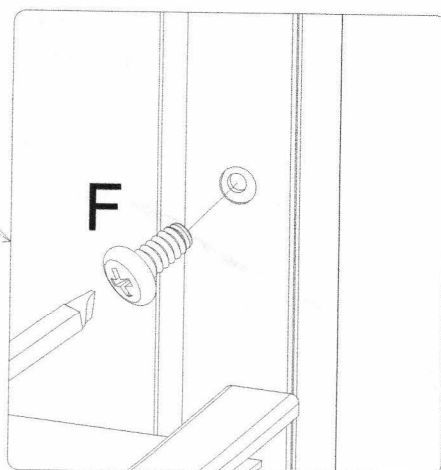
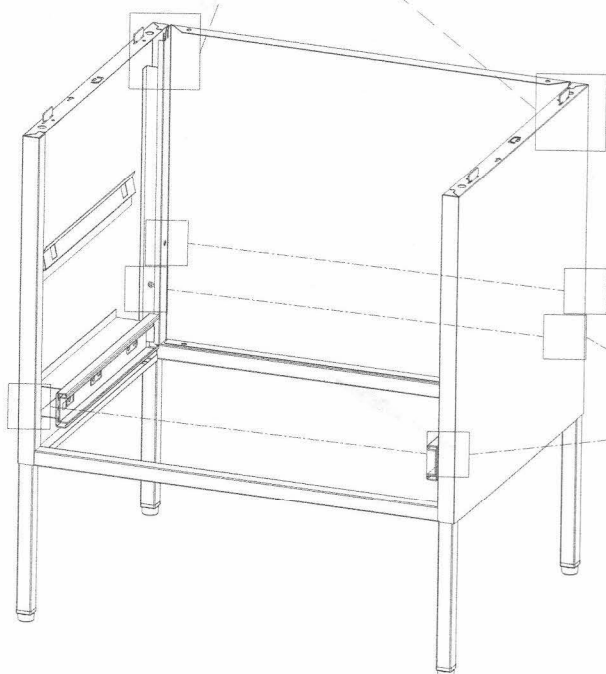
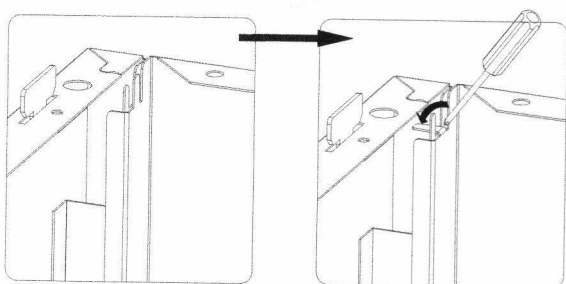
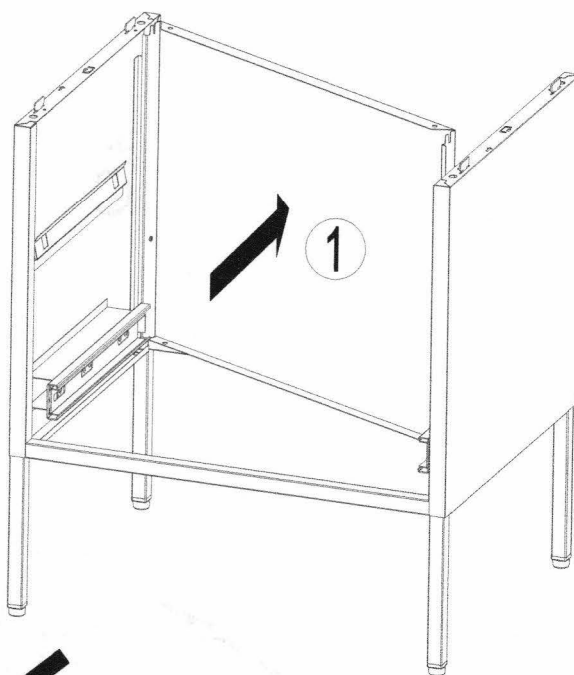
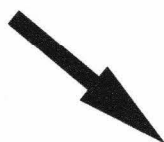
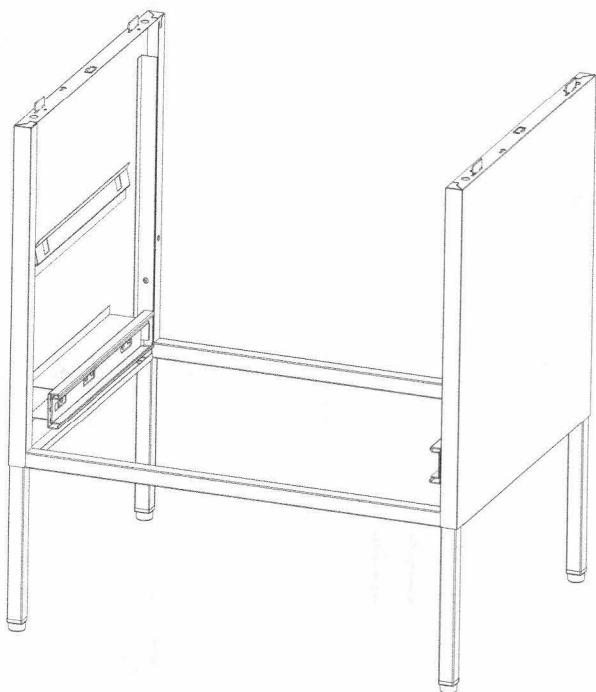


9

F

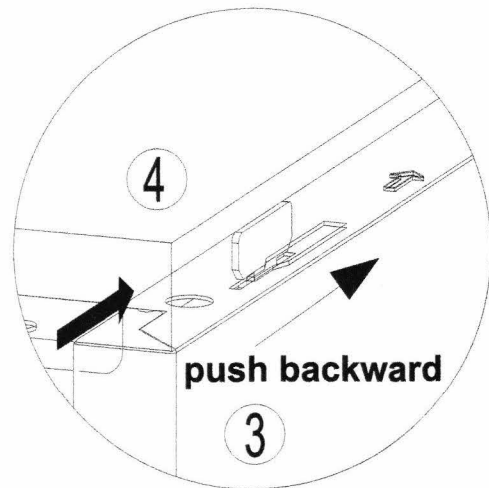
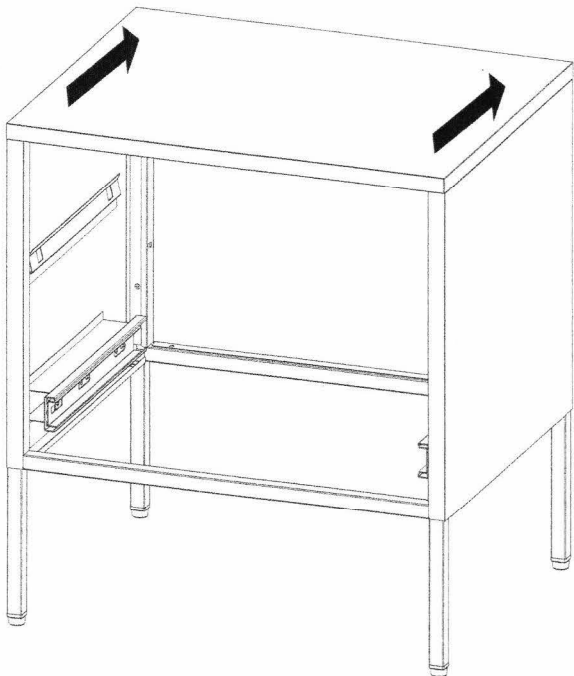
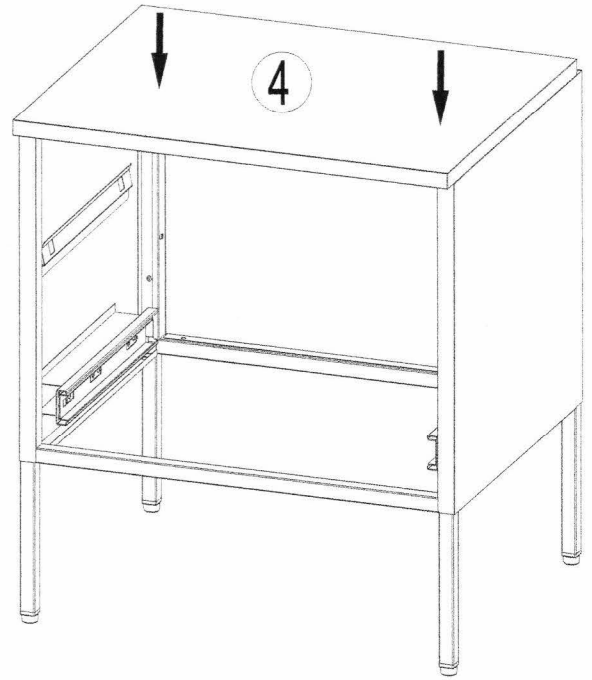
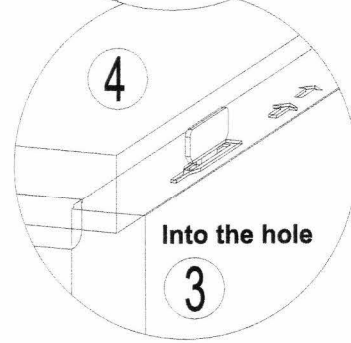
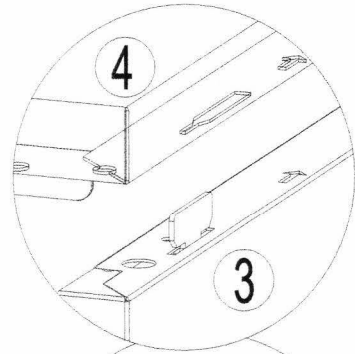
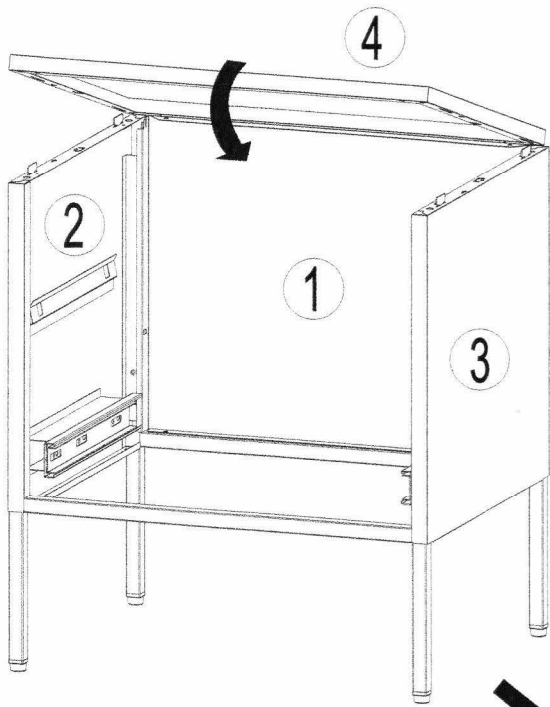


M4x8mm x6



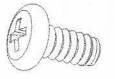


10



11

F



M4x8mm x2

