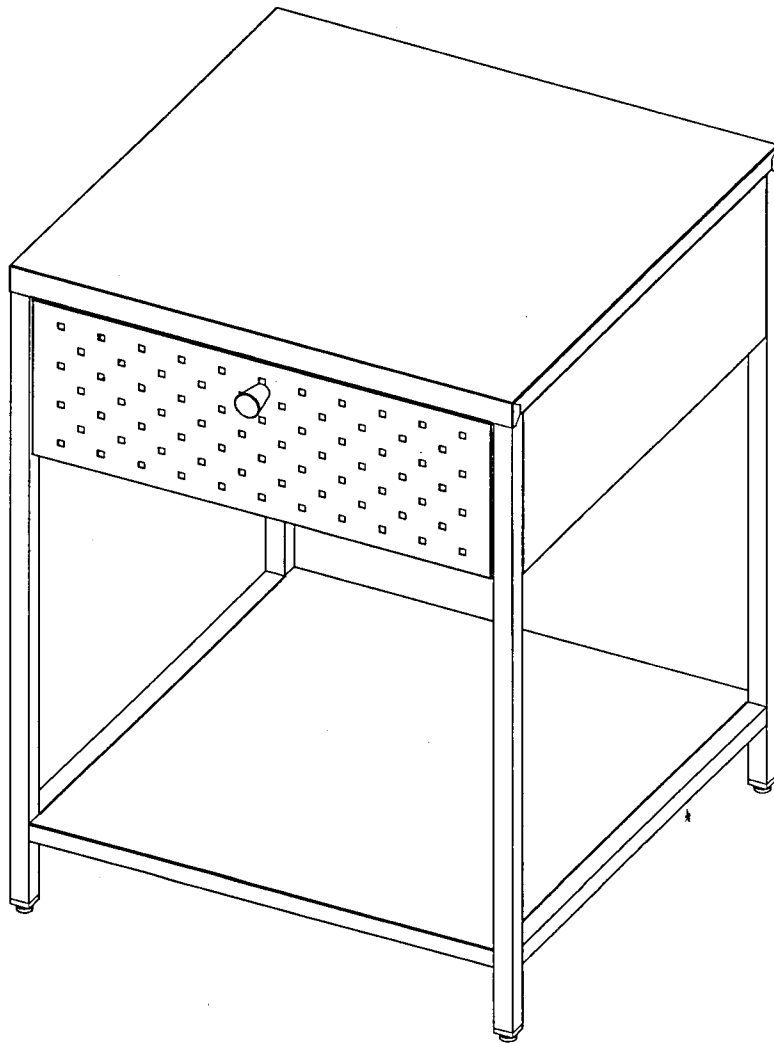
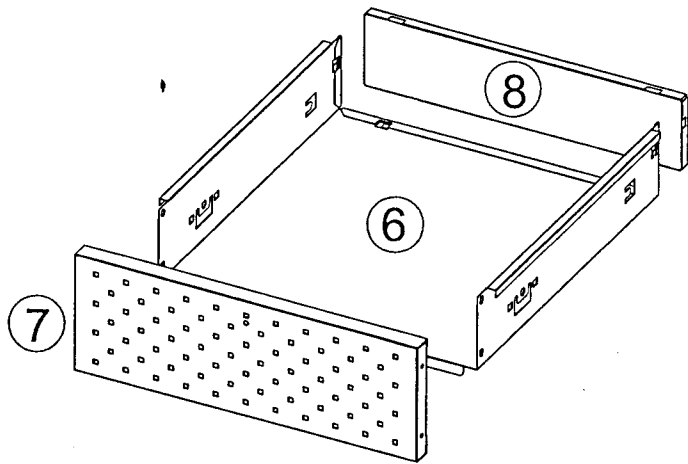
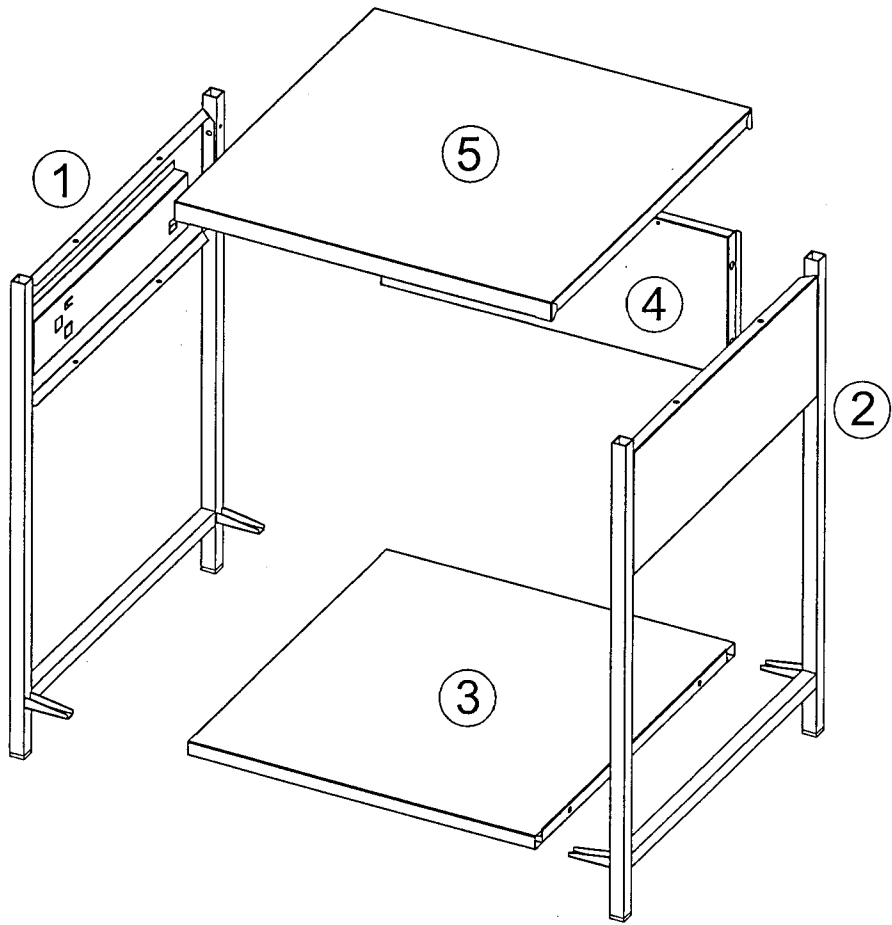
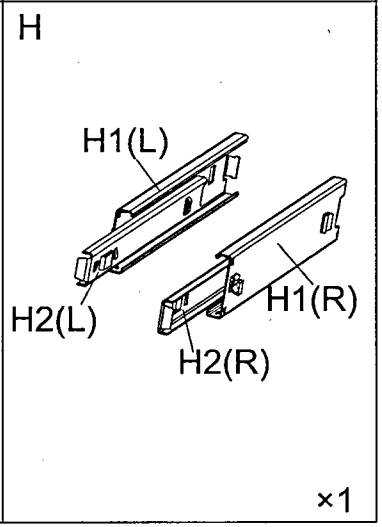
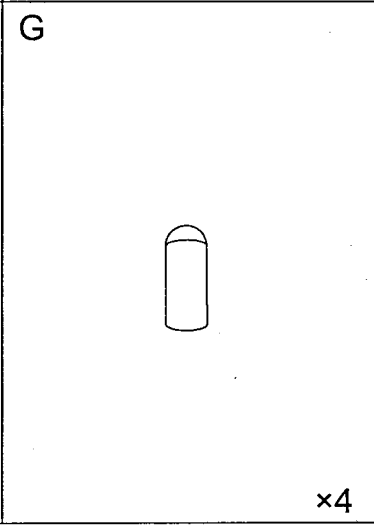
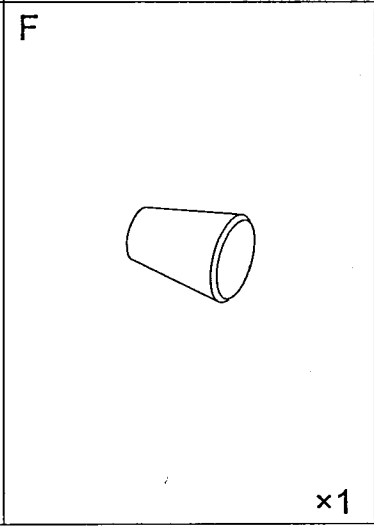
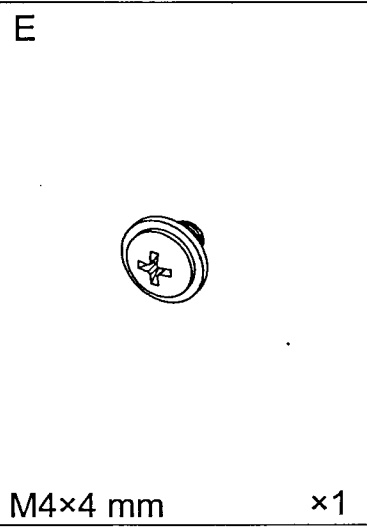
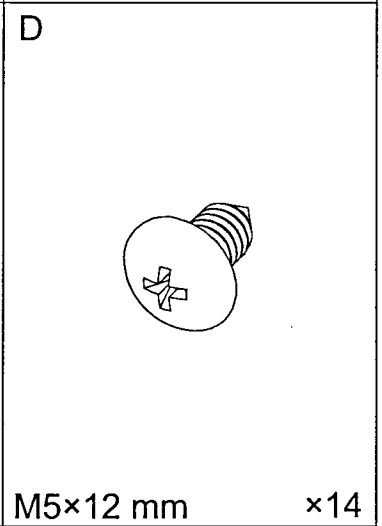
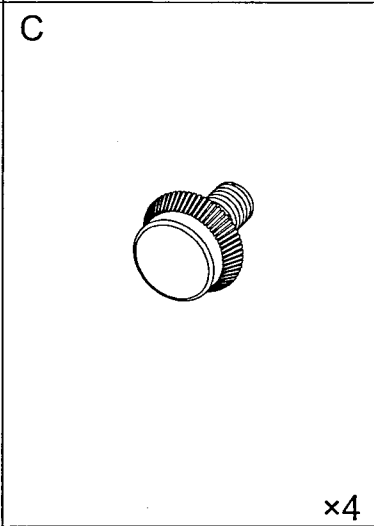
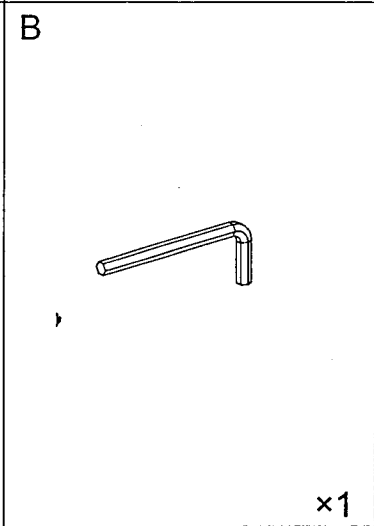
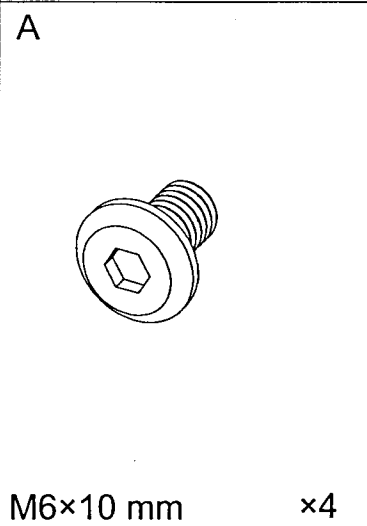
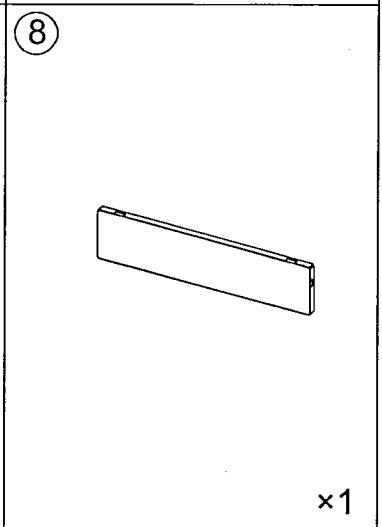
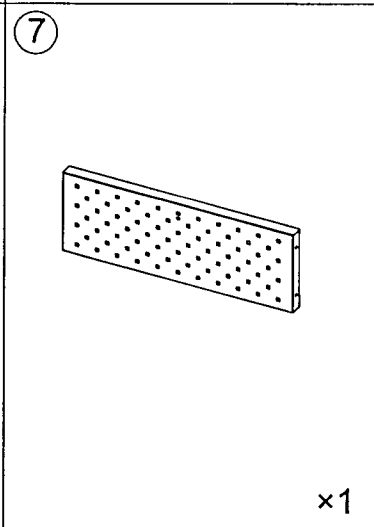
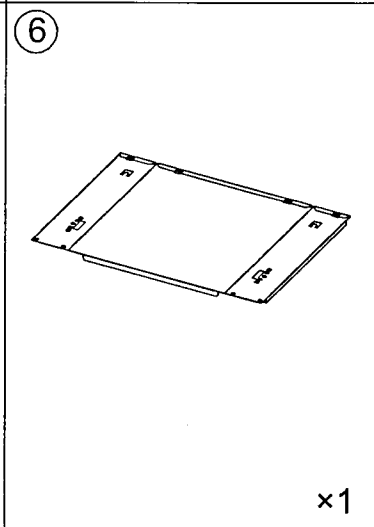
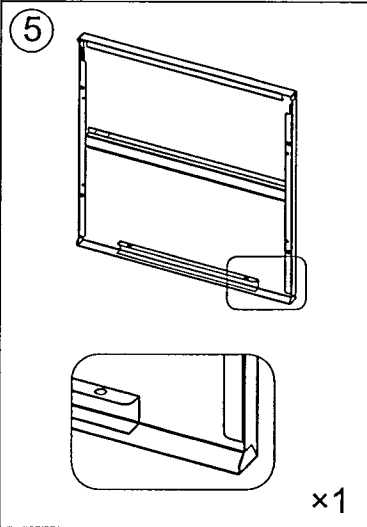
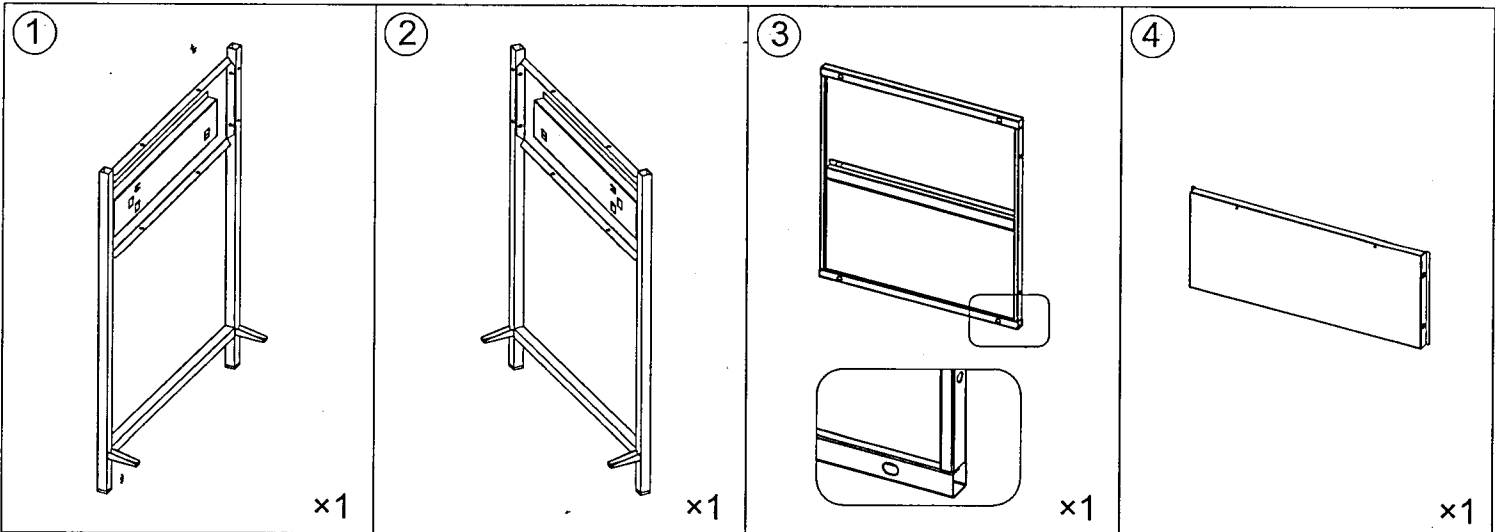


Po# 104927




Assembly Instruction 52147 & 52547

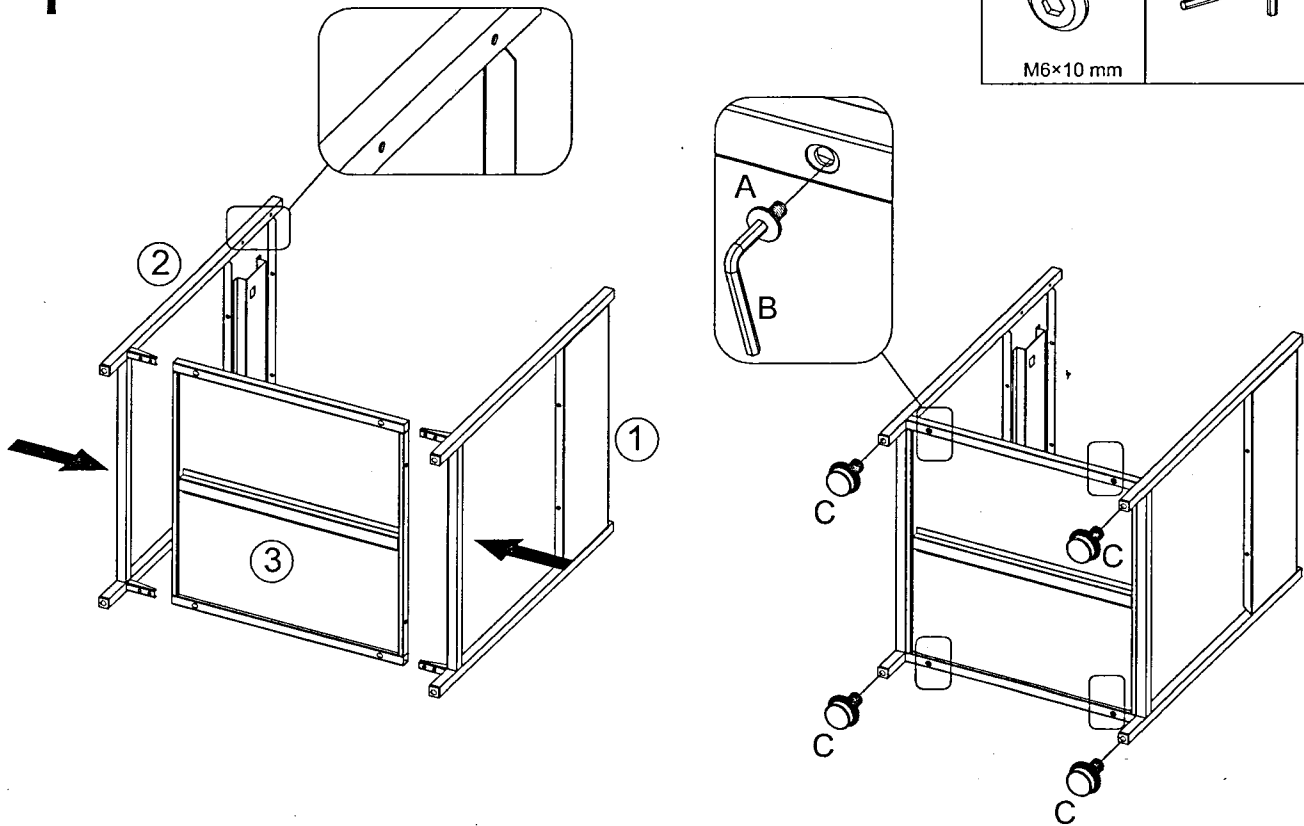







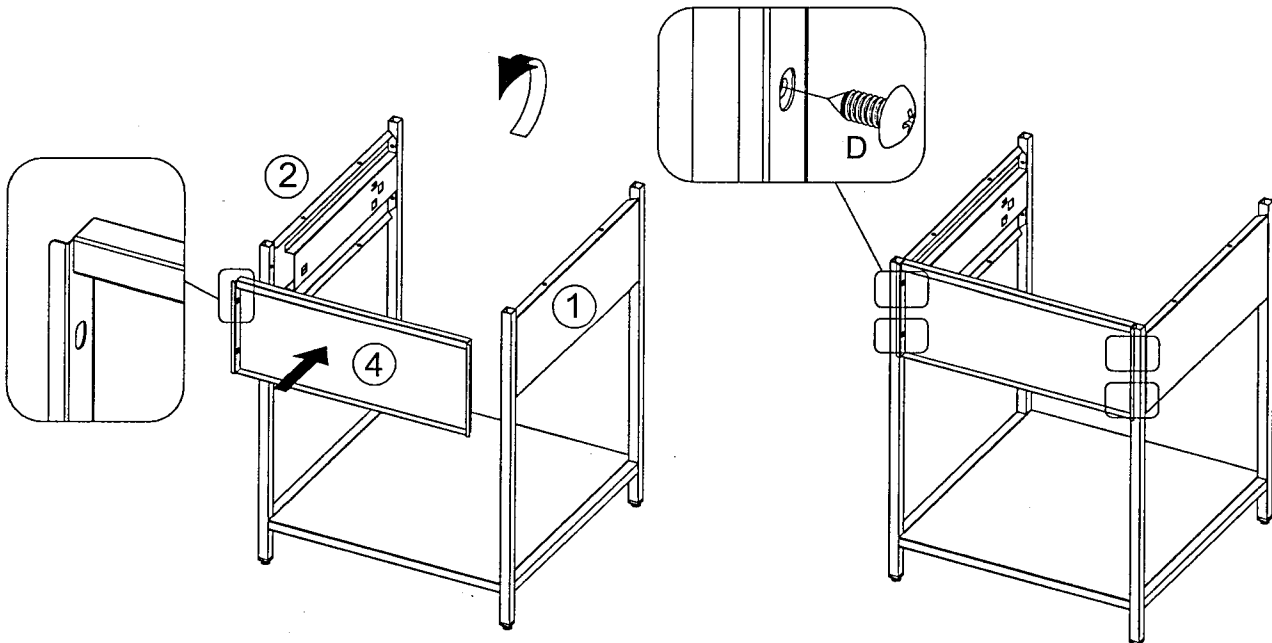
1

A × 4  M6 × 10 mm	B × 1 	C × 4 
--	--	--

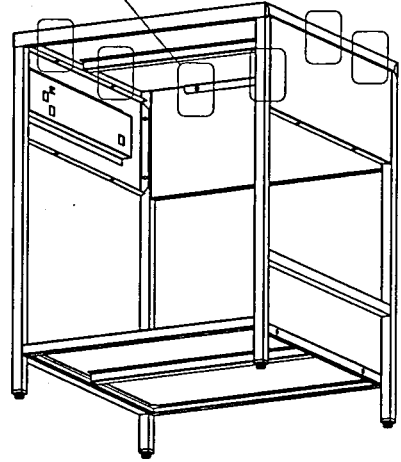
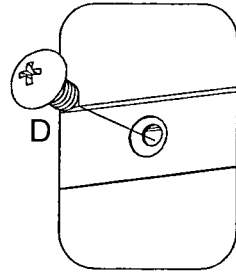
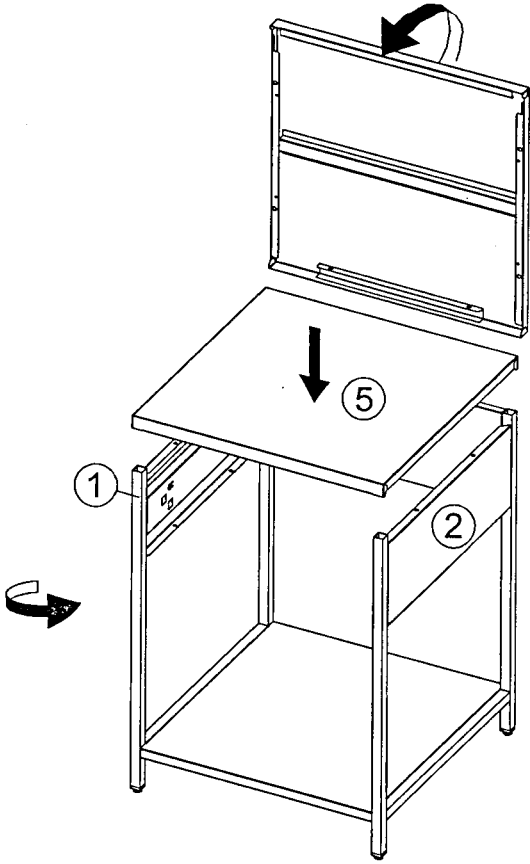


2

D × 4  M5 × 12 mm
--



3

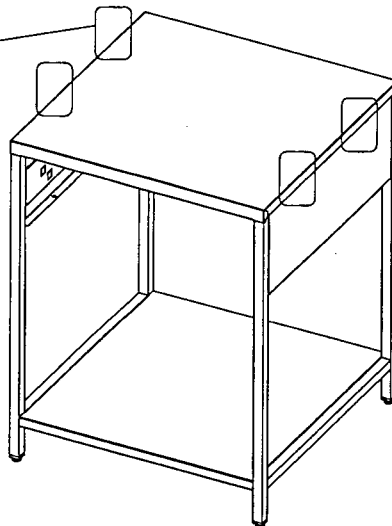
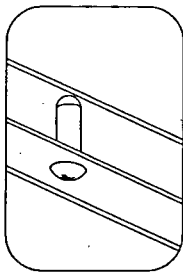
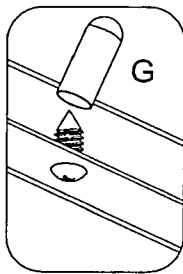


D × 6



M5×12 mm

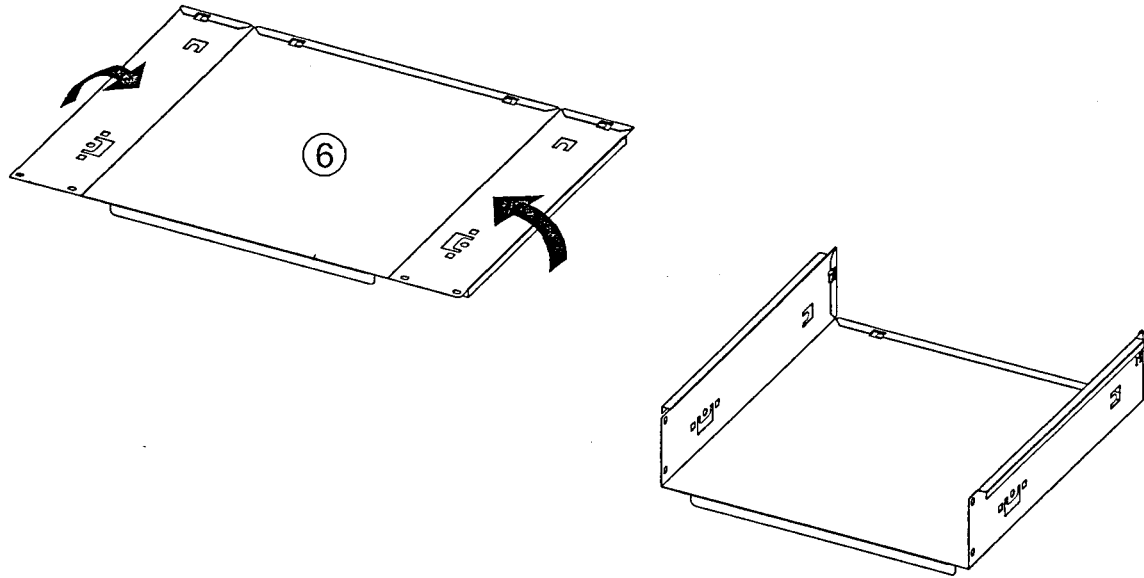
4



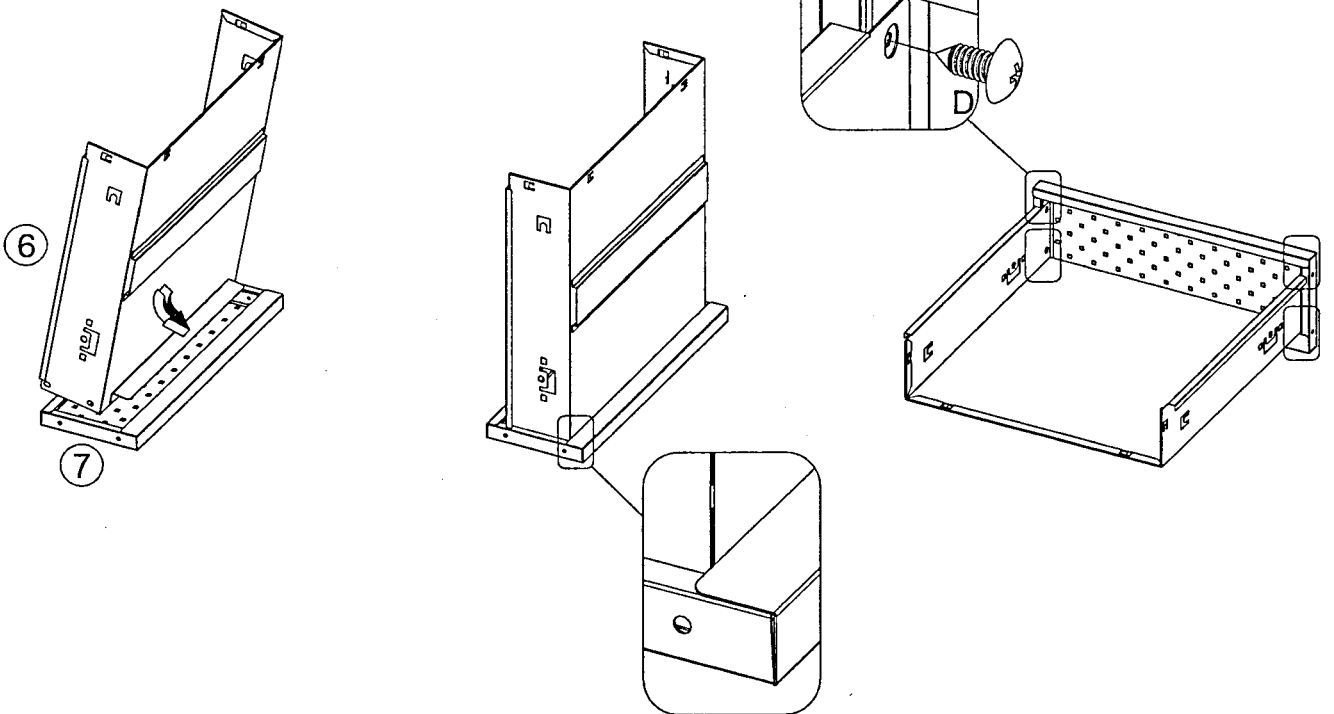
G × 4



5



6

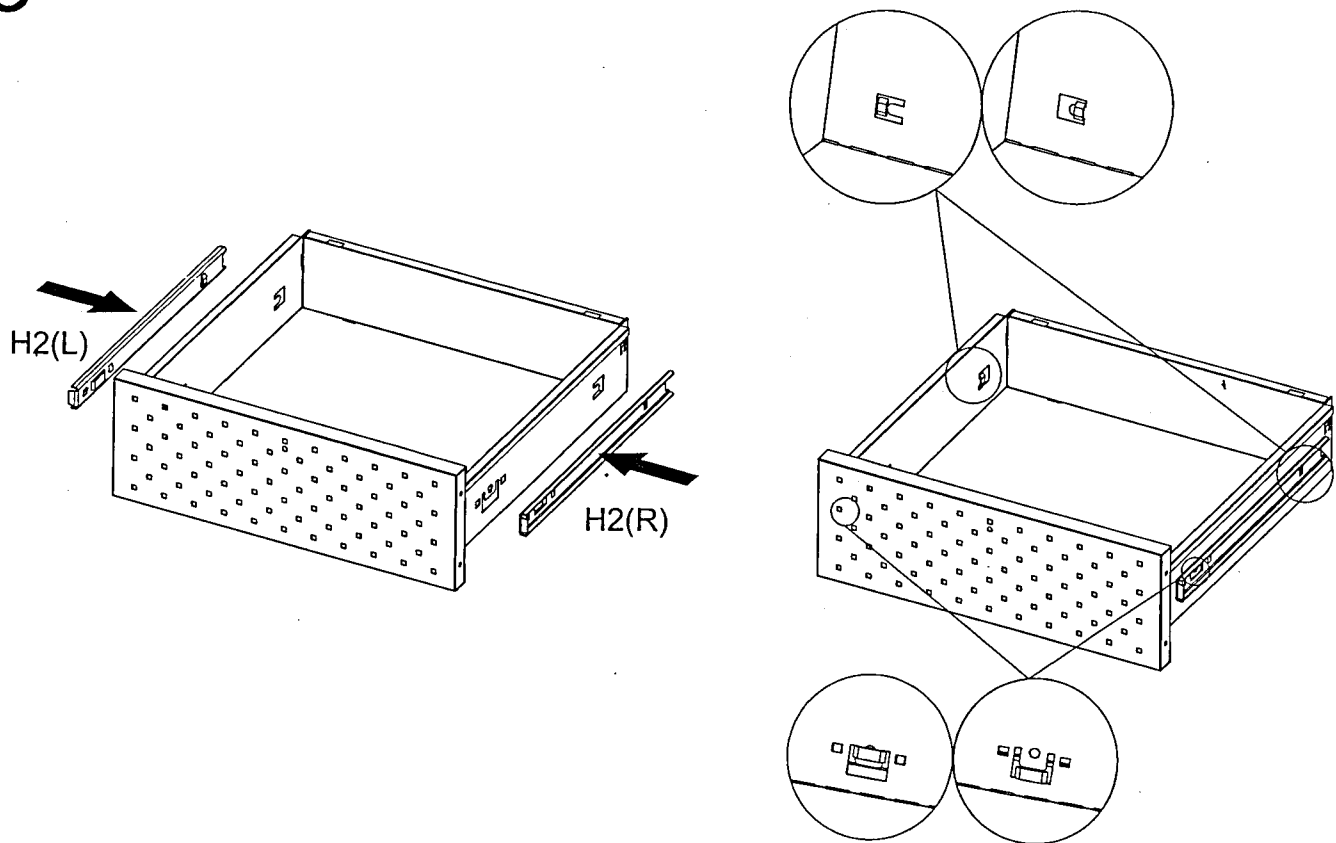


D x 4





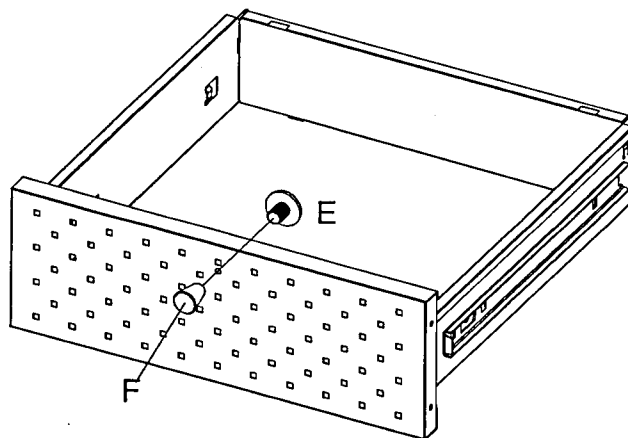
M5x12 mm

9

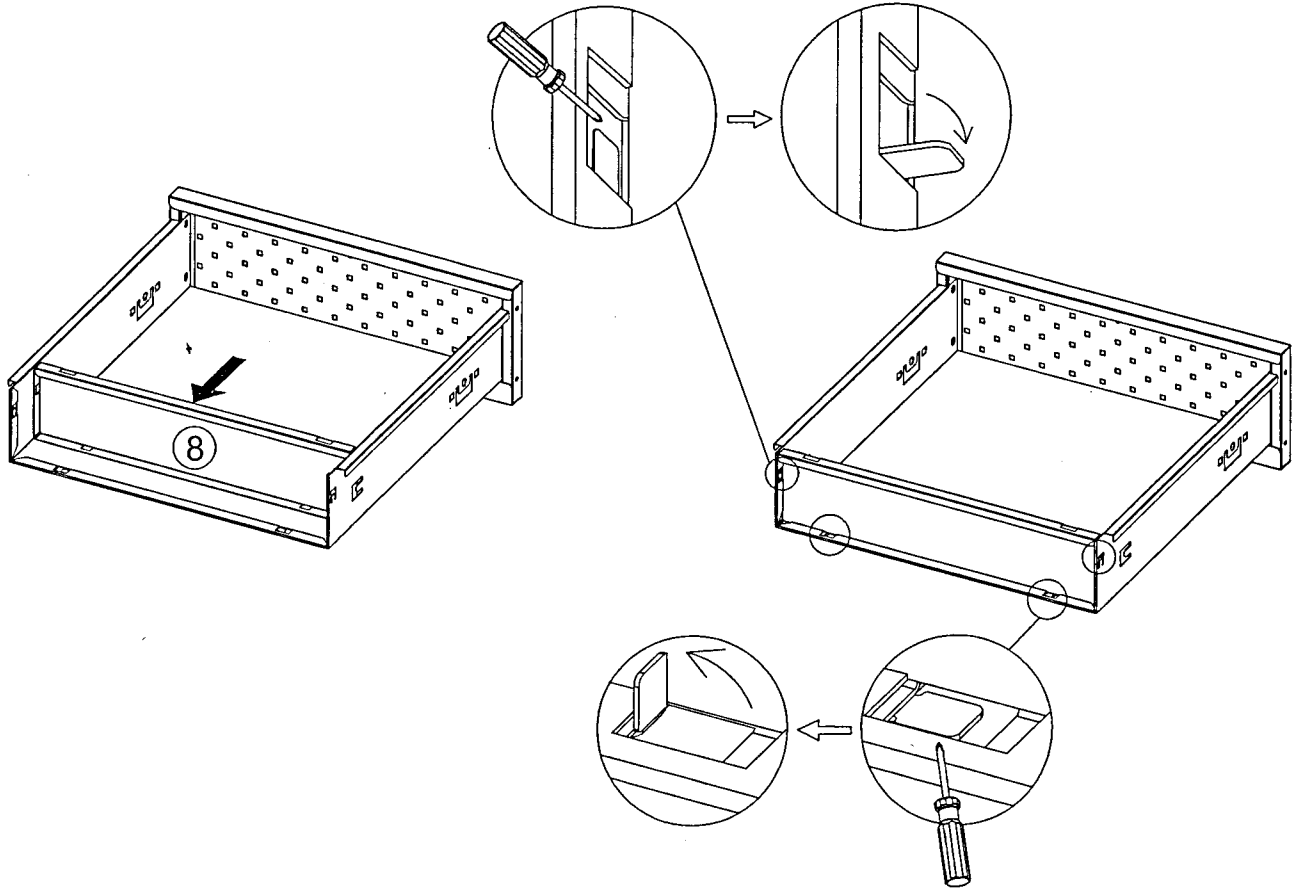


10

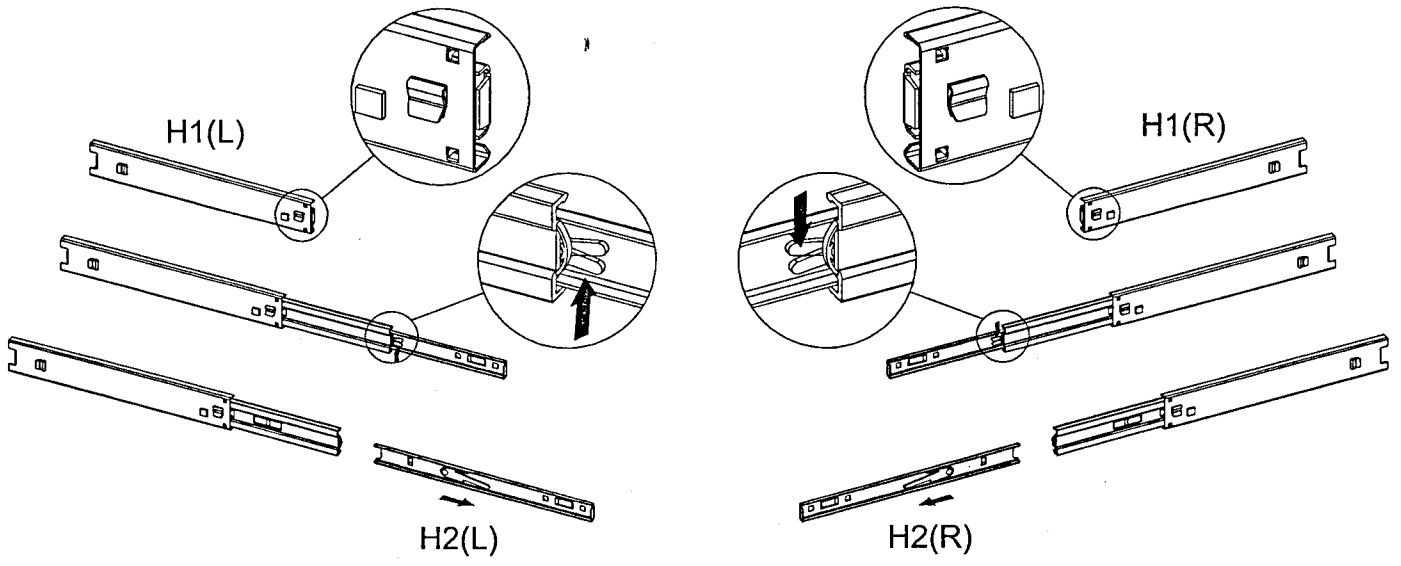
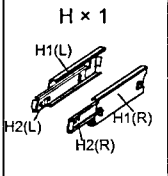
E × 1	F × 1
	
M4×4 mm	



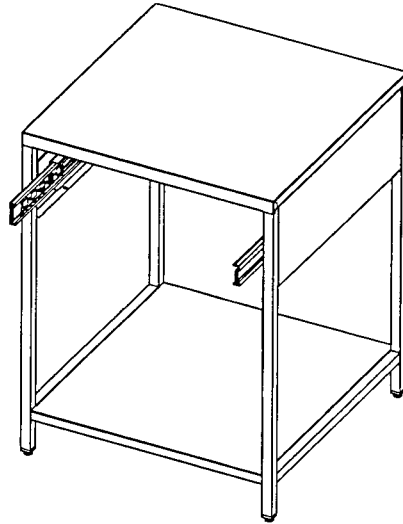
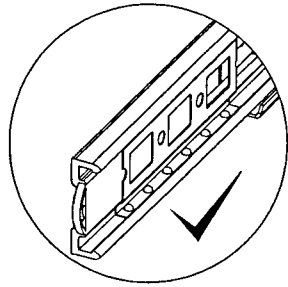
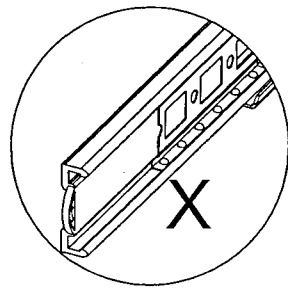
7



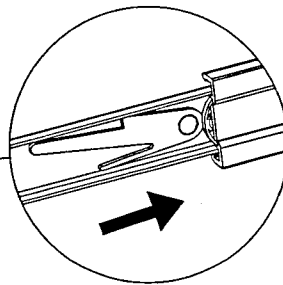
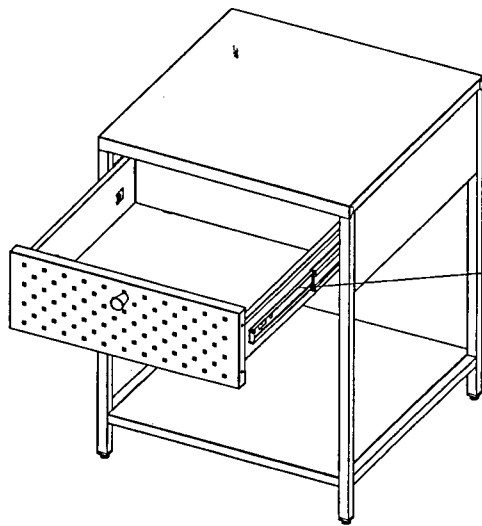
8



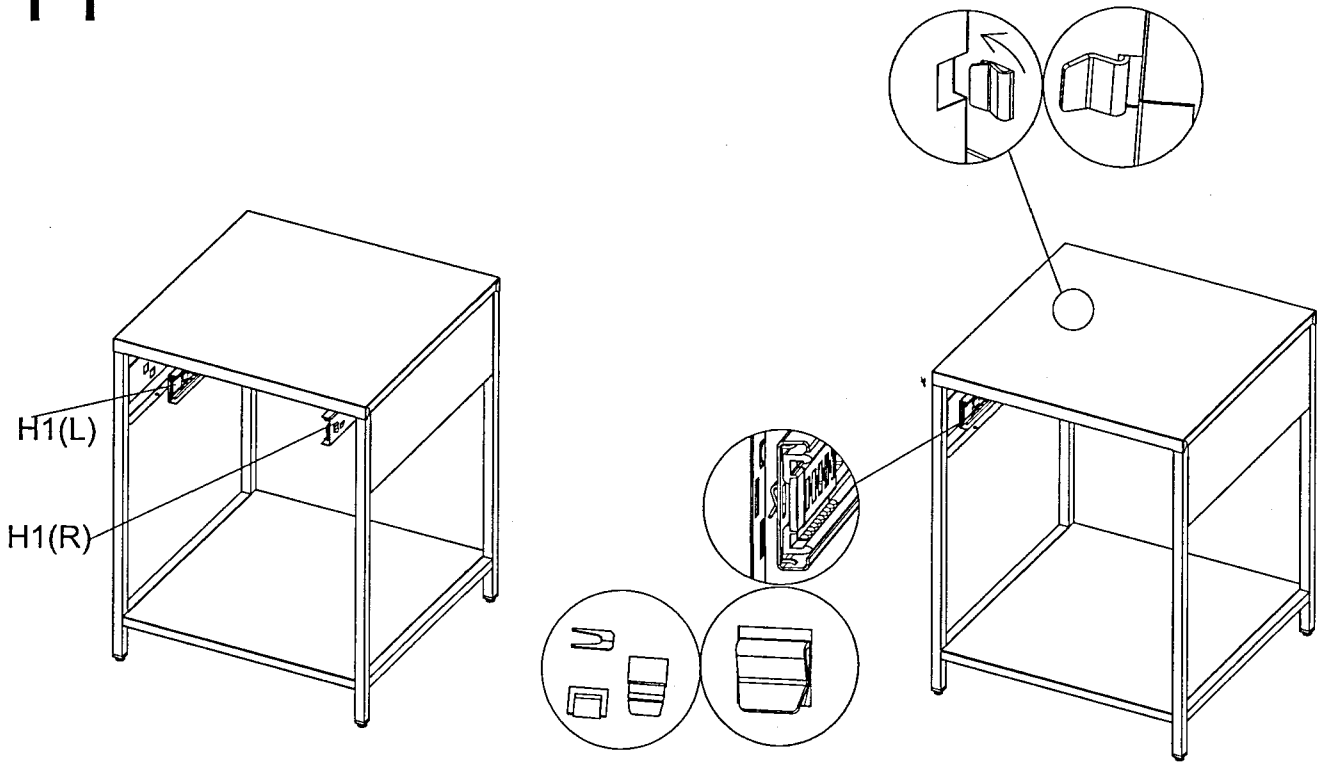
13



14



11



12

