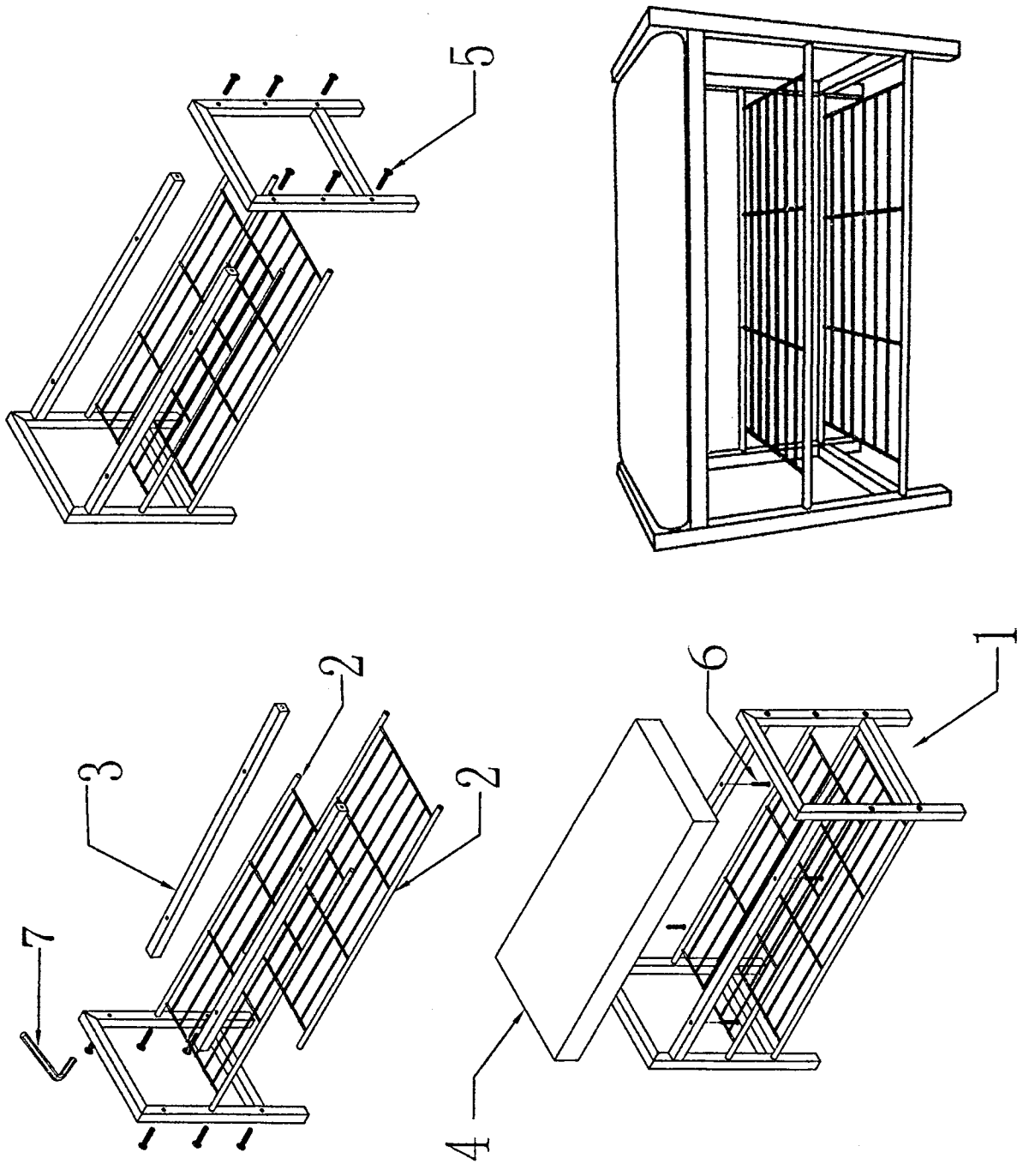


PO 104220

54343



NO.	FIGURE	QUANTITY
1		2
2		2
3		2
4		1
5		12
6		4
7		1