


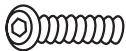

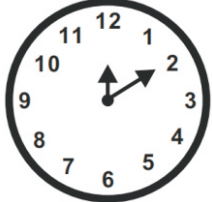
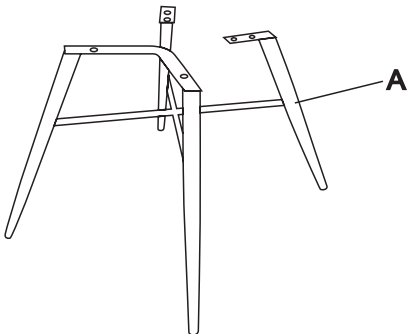


# ASSEMBLY INSTRUCTION

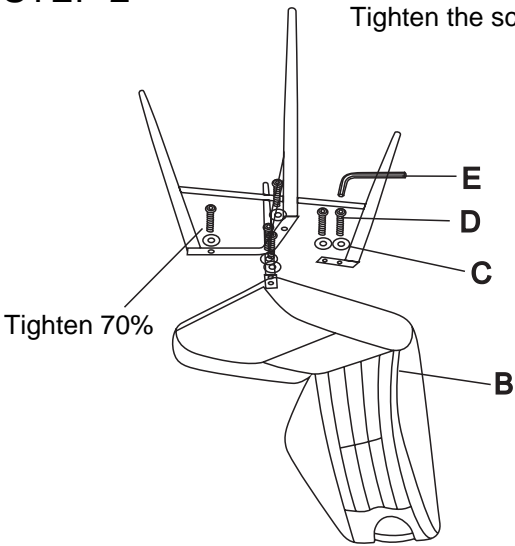
<b>A</b> X1 	<b>B</b> X1 	<b>C</b> X6  8X18X1.5mm	<b>D</b> X6  6X20mm	<b>E</b> X1  5mm	
--	--	--	--	---	---

**STEP 1**



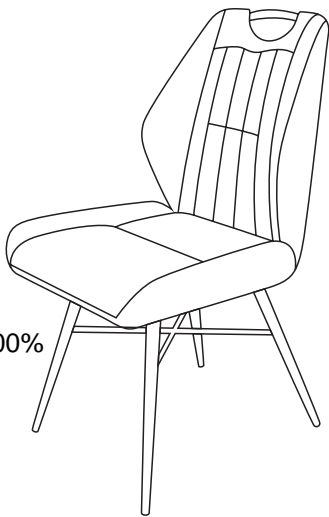
**STEP 2**

Tighten the screws 70%



**STEP 3**

Place the chair on a flat surface  
 Make sure the chair is stable  
 Tighten the screws to 100%



Tighten 100%

**STEP 4**

